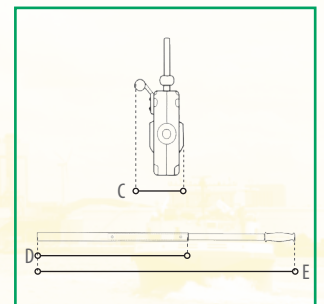
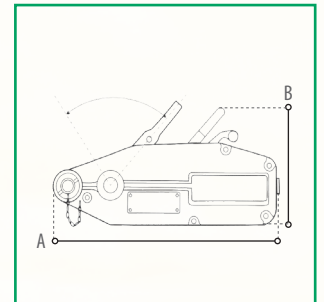




Staaldraadtakels met aluminium huis / Pullinghoists with aluminium casting



Eigenschappen

- » Lichtgewicht, eenvoudig en veilig in gebruik.
- » Compact en sterk huis van corrosievrije aluminium legering.
- » Bruikbaar in horizontale, verticale en vele andere posities.
- » Een parallel klem systeem met een groot contact oppervlak.

Features

- » Light weight, simple and safe to operate.
- » Compact, high-strength, corrosion-free aluminium alloy housing.
- » Useable at horizontal, vertical and many other positions.
- » A parallel clamping system, with a large surface contact area.

| | Specificaties / Specifications | | | | |
|---|--------------------------------|-----------------|-----------------|-----------------|-----|
| | DC.0.0250000800 | DC.0.0250001600 | DC.0.0250003200 | DC.0.0250005400 | |
| Hijsvermogen / Rated lifting capacity (kg) | 800 | 1600 | 3200 | 5400 | |
| Trekvermogen / Rated pulling capacity (kg) | 1300 | 2600 | 5200 | 8000 | |
| Staaldraad Ø / Steel wire Ø (mm) | 8.3 | 11.0 | 16.0 | 20.0 | |
| Maximum veilige hijsen belasting / Working load limit for lifting (m) | 1200 | 2400 | 4000 | 6750 | |
| Minimum breeksterkte draad / Minimum breaking strength of wire (kN) | 43.31 | 76.24 | 161.3 | 252.05 | |
| Treksterkte van staaldraad / Tensile strength of steelwire (N-mm ²) | 1.770 | 1.770 | 1.770 | 1.770 | |
| Ankerbout Ø / Anchor-pin Ø (mm) | 22 | 25 | 30 | 40 | |
| Gewicht staaldraad met haspel / Weight steel wire with reel (kg) | 7.2 | 12.4 | 24.1 | 38 | |
| Gewicht van de takel / Weight of the hoist (kg) | 6.5 | 12.5 | 23.5 | 56 | |
| Afmetingen / Dimensions | | | | | |
| | A | B | C | D | E |
| DC.0.0250000800 | 426 | 235 | 64 | - | 80 |
| DC.0.0250001600 | 545 | 280 | 97 | 80 | 120 |
| DC.0.0250003200 | 660 | 325 | 116 | 80 | 120 |
| DC.0.0250005400 | 930 | 480 | 152 | 68 | 112 |