

**Pow'r-Riser® Lifting Jacks
 PR Series Electric Operated Models**

L3093 Rev. C 12/15

Index:	
English	1-12
Deutsch	13-24
Português Brasileiro	25-36

1.0 IMPORTANT RECEIVING INSTRUCTIONS

Visually inspect all components for shipping damage. Shipping damage is not covered by warranty. If shipping damage is found, notify carrier at once. The carrier is responsible for all repair and replacement costs resulting from damage in shipment.

2.0 SAFETY ISSUES

Read all instructions carefully. Follow all recommended safety precautions to avoid personal injury as well as damage to the jack and/or damage to other property. Enerpac cannot be responsible for any damage or injury from unsafe use, lack of maintenance or incorrect operation. Do not remove warning labels, tags, or decals. In the event any questions or concerns arise, contact Enerpac or a local Enerpac distributor for clarification.

If you have never been trained on high-pressure hydraulic safety, consult your distributor or service center for a free Enerpac Hydraulic Safety Course.

This manual follows a system of safety alert symbols, signal words and safety messages to warn the user of specific hazards. Failure to comply with these warnings could result in death or serious personal injury, as well as damage to the equipment or other property.



The Safety Alert Symbol appears throughout this manual. It is used to alert you to potential physical injury hazards. Pay close attention to Safety Alert Symbols and obey all safety messages that follow this symbol to avoid the possibility of death or serious personal injury.

Safety Alert Symbols are used in conjunction with certain Signal Words that call attention to safety messages or property damage messages and designate a degree or level of hazard seriousness. The Signal Words used in this manual are DANGER, WARNING, CAUTION and IMPORTANT.

DANGER: Indicates a hazardous situation that, if not avoided, will result in death or serious personal injury.

WARNING: Indicates a hazardous situation that, if not avoided, could result in death or serious personal injury.

CAUTION: Indicates a hazardous situation that, if not avoided, could result in minor or moderate personal injury.

IMPORTANT: Indicates information considered important, but not hazard related (e.g. messages relating to property damage). Please note that the Safety Alert Symbol will not be used with this signal word.



The High Voltage Symbol indicates that high voltage is present inside an enclosure or device, and that a risk of electric shock exists. To prevent death or serious personal injury resulting from an electric shock, always disconnect power cord from electrical outlet or other power source before performing any inspection, maintenance or repair procedures.

1.2 Safety Precautions - Pow'r Riser Lifting Jacks



WARNING: Failure to observe and comply with the following precautions could result in death or serious personal injury. Property damage could also occur.

- Keep hands and feet away from hydraulic cylinder and related components during jack operation.
- Always wear proper personal protective equipment (PPE) when operating hydraulic equipment (such as gloves, eye protection, head protection, protective footwear, etc.).
- Do not handle pressurized lines. Escaping oil under pressure can penetrate the skin, causing serious personal injury. If oil is injected under the skin, see a doctor immediately.
- The jack is to be used only for lifting loads only. Never use the jack for pushing or separating objects, or for other non-lifting related purposes.
- The jack should not be used to hydraulically support the load for any period of time after the lift has been completed. Support the load with Enerpac U-Rings (optional accessory) or appropriately rated load supports immediately after it has been lifted to the desired height.
- Never exceed the rated capacity of the jack. Allow for a margin of safety that accounts for possible shifting loads or side loading conditions. Failure to follow this warning could cause the jack to fail.
- Never tamper with overload protection devices. The jack's internal relief valve must not be repaired or adjusted except by an authorized service center. The maximum hydraulic pressure of the jack hydraulic system must never exceed the maximum allowed for your jack model (refer to Table 1). Higher settings may result in personal injury and/or equipment damage.
- Be sure lifting arrangement is stable before lifting load. Use jack only on a solid and level surface, capable of supporting the load and the base of the jack. Always center the load on the load cap of the jack. If the jack is not perpendicular to the load, slipping or loss of load is possible.

- Distribute the load evenly when performing lifts with multiple jacks. Failure to heed this warning may cause loss of load and/or failure of the jacks.
- Be aware of external events and acts of nature (wind, storms, flooding, earthquakes or other seismic activity, etc.) that could occur either while the jack is in active use, or while it is left loaded and unattended. Do not use the jack if it is likely that such conditions will occur.



CAUTION: Failure to observe and comply with the following precautions could result in minor or moderate personal injury. Property damage could also occur.

- When jack is not in use, fully retract the cylinder and protect the entire unit from external damage. Keep the jack clean, avoid weld splatter, and store in a clean dry area. Failure to observe these precautions may cause erratic operation, reduced performance, increased wear and/or damage to jack.
- Keep the jack away from flames and heat. For optimum performance, do not expose the jack to temperatures above 150 °F [65 °C]. Failure to observe these precautions may cause erratic operation, reduced performance, increased wear and/or damage to jack.
- Immediately replace worn or damaged parts with genuine Enerpac parts. Enerpac parts are designed to fit properly and to withstand high loads. Non-Enerpac parts may break or cause the jack to malfunction.

IMPORTANT:

- Enerpac U-Rings (optional accessory) can be installed on the jack to support lifted loads. However, the U-Rings are not intended to provide long term support. If the load must remain supported for more than 30 days, use appropriately rated load support devices to support the load.
- Hydraulic equipment must only be serviced by a qualified hydraulic technician. For repair service, contact the Enerpac authorized service center in your area.
- To avoid damage to jack internal components, do not continue pressurizing the jack cylinder after it reaches maximum extension or retraction.

2.2 Electrical Safety Instructions



DANGER: Failure to observe the following instructions and precautions may result in serious personal injury or death!

USE AND CARE

- Store the jack indoors. Keep in a secured area to prevent use by unauthorized personnel.
- Do not clean the jack with a water spray or the like.
- Do not operate the jack with a damaged cord or plug, or after the jack malfunctions or is dropped or damaged in any manner. Return the jack to the nearest Enerpac authorized service center for examination, repair, or electrical or mechanical adjustment.

DISCONNECTING POWER

- Be sure that jack motor is off before removing plug from electrical outlet.
- Do not unplug the jack by pulling on the cord. To unplug, grasp the plug, not the cord.
- Remove plug from electrical outlet when the jack is not in use and before servicing or cleaning the jack.



DANGER: High voltage is present inside the jack even when motor is off. Before removing the electrical enclosure cover or opening the electrical enclosure door, be sure that the jack power cord is disconnected from the electrical outlet or other electrical power source.

GROUNDING INSTRUCTIONS



DANGER: Risk of electric shock! Connect the jack only to a properly grounded outlet.

The jack must be grounded. In the event of malfunction or breakdown, grounding provides a path of least resistance for electric current to reduce the risk of electric shock. The jack is equipped with a cord having an equipment grounding conductor.

A grounding plug is included with the cord on single-phase models. On three phase models only, a grounding plug (customer supplied) of the proper type must be installed by a qualified electrician. The plug must be plugged into an appropriate outlet that is properly installed and grounded in accordance with all local codes and ordinances.



DANGER: Improper connection of the jack grounding conductor can result in electric shock. The conductor with insulation having an outer surface that is green with or without yellow stripes is the jack grounding conductor.

- If the cord and/or plug are damaged, do not connect the jack to a live electrical outlet. Repair or replace the damaged items as required and be sure the grounding conductor is properly wired before reconnecting the jack to the outlet. Consult a qualified electrician if grounding conductor wiring procedures are not completely understood or if there is any doubt as to whether the jack is properly grounded.

GROUNDING INSTRUCTIONS (CONTINUED)

- Models beginning with PREMB, PREMI and PREME: Do not modify the plug provided with the jack. If the plug will not fit in the outlet, have a proper outlet installed by a qualified electrician.
- A qualified electrician should be consulted if there is any doubt as to whether an outlet box is properly grounded.
- All jack models beginning with PREME and PREMI: The jack is for use on a single-phase circuit having a nominal rating of more than 120 volts and is factory equipped with a specific electric cord and plug. No adapter should be used with the plug.
- All jack models beginning with PREMG, PREMJ, PREMR or PREMW: The jack is for use on a three phase circuit having a nominal rating of more than 120 volts. A qualified electrician must obtain, install and wire the proper plug for the jack's specified power requirements. No adapter should be used with the plug.
- If the jack must be reconnected for use on a different type of electric circuit, the reconnection should be made by a qualified electrician. After the reconnection, the jack should comply with all local codes and ordinances.

USE OF EXTENSION CORDS

It is important to use the proper size extension cord with the jack power cord when use of an extension cord is necessary. A qualified electrician should be consulted to help specify and select the proper size extension cord.



DANGER: Risk of electric shock! Connect the jack only to a properly grounded outlet.

If an extension cord is used:

- 1) The marked electrical rating of the extension cord should be at least as great as the electrical rating of the jack.
- 2) The extension cord should be a grounding-type 3-wire cord for single-phase power or a grounding type 4-wire cord for three phase power.
- 3) A long extension cord should be arranged so that it will not drape over any working area where it can be tripped over, snagged, or pulled on unintentionally.

If the jack is to be operated outdoors and an extension cord is needed, use only an outdoor-use extension cord. An outdoor-use extension cord will be clearly marked with the suffix letter “W” and the statement “Suitable for Use with Outdoor Appliances.”

ADDITIONAL PRECAUTIONS



WARNING: Do not use electric jacks in an explosive atmosphere. Sparks and electrical arcing could ignite combustible vapors or airborne dust.

IMPORTANT: To prevent damage to the jack electric motor, check power specifications on jack or motor data plate. Use of incorrect outlet will damage the motor.

3.0 PRODUCT DATA

Table 1 - General Specifications					
Maximum Operating Pressure	Model	psi	bar		
	PREM_060__L	6,000	414		
	PREM_100__L	9,700	669		
	PREM_150__L	10,200	703		
	PREM_200__L	10,200	703		
Load Rating	Model	US Tons	Metric Tons	kN	
	PREM_060__L	60	54	533	
	PREM_100__L	100	90	889	
	PREM_150__L	150	136	1333	
	PREM_200__L	200	181	1778	
Hydraulic Oil Type	Enerpac HF (Refer to Table 8 for oil specifications chart)				
Maximum Hydraulic Oil Temperature	170 °F [76 °C]				
Hydraulic Reservoir Oil Capacity (approximate - when filled to proper level)	4.2 gallons [15,9 liters]				
Power Requirements	Model Number Beginning With:	Volts AC	Hz	Phase	Maximum Current Draw (Amperes)
	PREMB	115	50-60	1	17.0
	PREMI (North American Plug)	230	50-60	1	9.0
	PREME (European Plug)	230	50-60	1	9.0
	PREMG	208-240	50-60	3	8.0
	PREMW	380-415	50-60	3	4.8
	PREMJ	440-480	50-60	3	4.0
	PREMR	575	50-60	3	3.2

Table 2 - Stroke Lengths and Weights									
Short Stroke Models	Stroke Length		Weight		Long Stroke Models	Stroke Length		Weight	
	inches	mm	Pounds	Kg		inches	mm	Pounds	Kg
PREM_06014L	14	356	390	177	PREM_06027L	27	686	600	272
PREM_10016L	16	406	510	231	PREM_10027L	27	686	600	272
PREM_15016L	15.5	394	570	258	PREM_15027L	26.5	673	708	321
PREM_20016L	15.5	394	639	290	PREM_20027L	26.5	673	825	374

Notes: Weights shown above are approximate. Refer to Enerpac catalog for product external dimensions. Fifth letter of model number will be B, E, I, G, W, J or R (varies depending on jack electrical configuration).

Key:

1. Handle Lock Lever
2. Handle Assembly
3. Lifting Bar*
4. Power Cord
5. Control Valve
6. Pendant
7. Electric Motor
8. Reservoir Air Breather
9. Electrical Enclosure, Single-Phase (with shroud)
10. Circuit Breaker
11. Oil Fill Plug
12. Oil Filter
13. Hydraulic Cylinder
14. Hydraulic Reservoir
15. Oil Drain Plug
17. Lifting Eyebolt*
18. Wheel Bearing Grease Fitting
19. Tire Air Valve
20. U-Ring Storage Rack
21. Electrical Fuses

*Not present on all models.

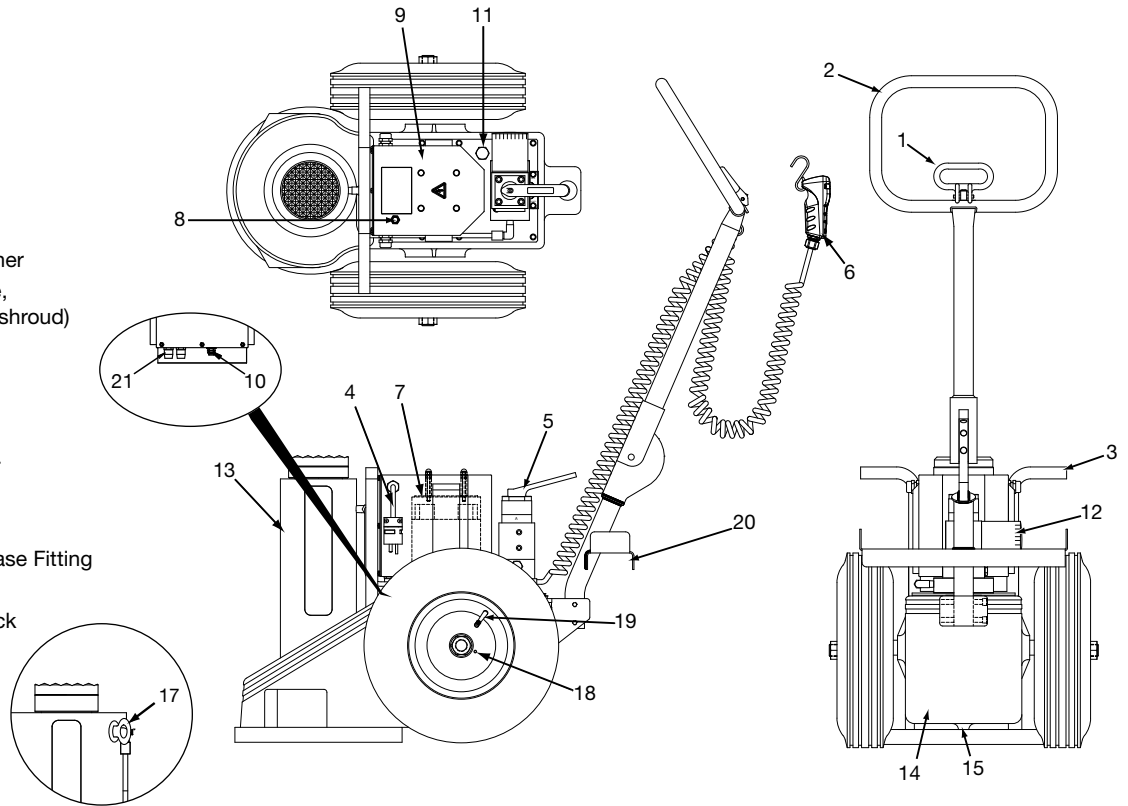


Figure 1, Major Features and Components - PREMB, PREME and PREMI Series (single-phase power)

Key:

1. Handle Lock Lever
2. Handle Assembly
3. Lifting Bar*
4. Power Cord**
5. Control Valve
6. Pendant
7. Electric Motor
8. Reservoir Air Breather
11. Oil Fill Plug
12. Oil Filter
13. Hydraulic Cylinder
14. Hydraulic Reservoir
15. Oil Drain Plug
16. Electrical Enclosure, Three-Phase
17. Lifting Eyebolt*
18. Wheel Bearing Grease Fitting
19. Tire Air Valve
20. U-Ring Storage Rack
21. Electrical Fuses***
22. Motor Overload Relay***
23. Motor Direction Arrow

*Not present on all models.

**Power plug not included (customer supplied).

***Located inside item #16.

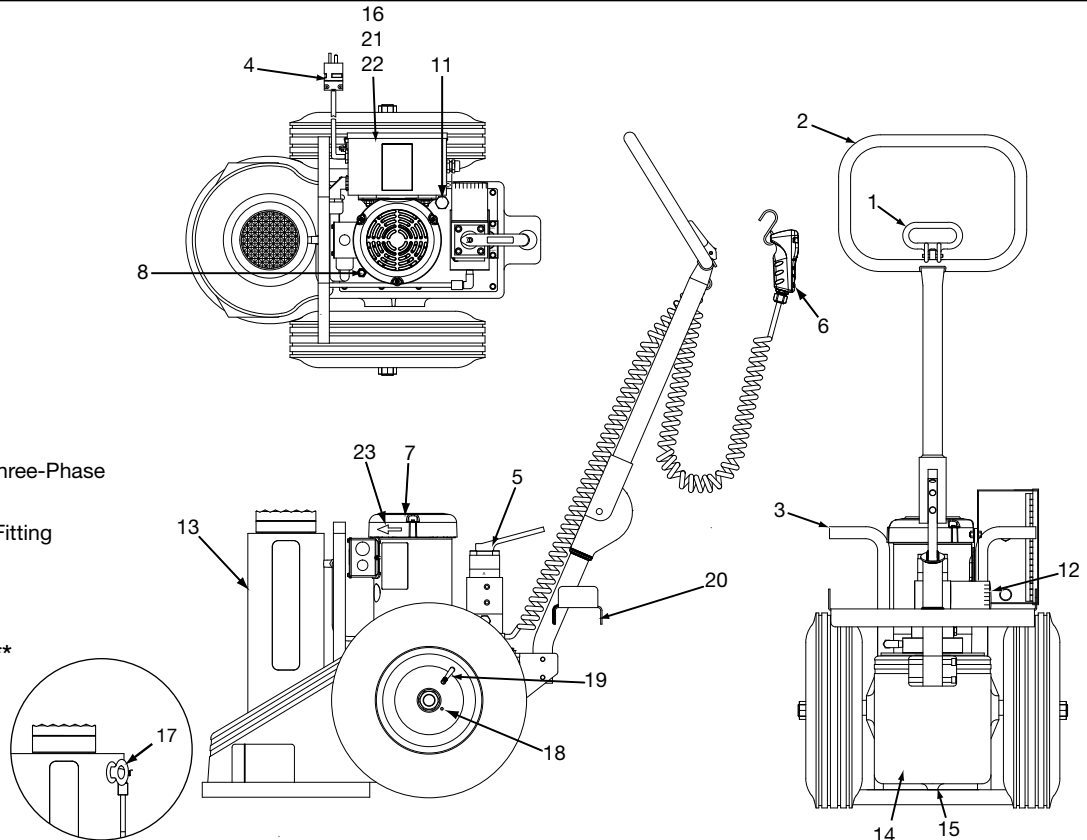


Figure 2, Major Features and Components - PREMG, PREMJ, PREMR and PREMW Series (three-phase power)

4.0 INITIAL SETUP

4.1 Adding Oil

Before startup, remove the oil fill plug (see figures 1 and 2, item #11) and check oil level. Oil level should be about 1 inch [25 mm] below top of reservoir. Add Enerpac HF hydraulic oil to reservoir if necessary. Refer to Section 6.1 for additional information.

4.2 Electrical Requirements

Be sure outlet is correct for your jack model. Refer to jack data plate for voltage and phase requirements.

The electrical disconnect and line circuit protection is to be provided by the customer. Line circuit protection is to be 115 percent of motor full load current rating.

On single-phase models, a power cord and plug of the proper type for the line voltage specified at time of order is included.



WARNING: Altering the plug type should only be done by a qualified electrician, adhering to all applicable local and national codes.

On three phase models, the power cord is provided *without* a plug. A qualified electrician must install and wire the proper type of plug that is compatible with the jack's specified power requirements. Plug installation and wiring must be in compliance with all applicable codes and ordinances.

4.3 Using the Jack for The First Time

Note: See figures 1 and 2 for items in parenthesis (. . .).

1. Be sure that lever on control valve (item #5) is in the center (neutral/hold) position.
2. Connect the jack power cord to an electrical outlet.
3. On three phase models only, press and release the pendant button while observing motor fan rotation. Check that fan rotates in same direction as arrow (item #23) on top of motor housing.

Note: Perform the following steps with no load on the cylinder. Refer to Section 5.0 for detailed jack operation instructions.

4. Check for proper operation by fully extending and retracting the cylinder (item #13). Use the lever on the control valve (item #5) and the button on the pendant (item #6) to control cylinder movement. To remove air from system, cycle the cylinder as needed until operation is smooth.

4.4 Using the Handle Assembly to Position the Jack

Note: See figures 1 and 2 for items in parenthesis (. . .).

1. Push handle lock lever (item #1) to release lock pin.
2. With lock pin released, position handle assembly (item #2) to desired location and release handle lock lever (item #1) to engage lock pin.
3. The jack can now be tilted back onto the wheels and pushed or pulled to the work area. Use caution when walking backwards.
4. If needed, the jack can be lifted using the lifting bar (item #3 - if equipped) or the lifting eyebolt(s) (item #17 - if equipped).

Note: Lifting bars are installed on short stroke PREM_060, PREM_100 and PREM_150 Series models. Lifting bars are not used on any long stroke models or on short stroke model PREM_20016L.

All long stroke models are equipped with *one* lifting eyebolt. The short stroke model PREM_20016L is equipped with *two* lifting eyebolts. Lifting eyebolts are not present on short stroke PREM_060, PREM_100 and PREM_150 Series models.



WARNING: Lift the jack using only lifting eyebolt(s) or lifting bar. Never attempt to lift the jack by using the handle assembly. The handle assembly is to be used only for rolling the jack on its wheels and for positioning the jack under the jacking point.

5. Using the handle assembly, adjust the jack position so that the cylinder load cap is centered under the jacking point of the load.



WARNING: Be sure that the jack is positioned on a solid and level support surface, with the lifting cylinder perpendicular to the ground. Jacking at an angle can allow the jack to slip out of position, resulting in loss of load. As required, use a swivel load cap to properly engage angled lifting points. Refer to Section 5.7 for additional information.

5.0 OPERATION

5.1 Control Valve (See Figure 3)

Hydraulic flow to the lifting cylinder is controlled by a manual 4-way, 3-position valve.

- Move lever to the extend position to raise the load.
- Move lever to the retract position to lower the load.
- Move lever to the center neutral/hold position immediately after raising or lowering is completed.

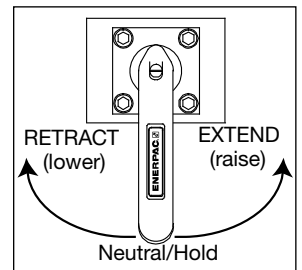


Figure 3, Control Valve

Note: The neutral/hold position is also referred to as the "idle" position.

5.2 Pendant (See Figure 4)

The pump motor is controlled by a single pendant mounted push button.

Button pressed:

Motor starts. System pressure builds and cylinder moves for as long as button is held down or until cylinder reaches end of stroke.

Button released:

Motor stops. Cylinder stop moving and check valve holds load.

Note: if cylinder does not begin moving when motor is started, check that control valve lever is in either the retract or extend position.

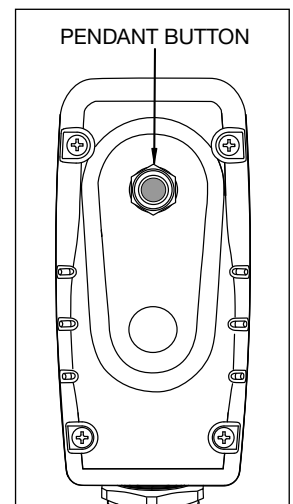


Figure 4, Pendant

5.3 Circuit Breaker

A resettable circuit breaker is used on all jack models equipped with a single-phase electrical system. This includes jack model numbers beginning with PREMB, PREME and PREMI. The circuit breaker reset button is mounted on the lower surface of the jack electrical enclosure. See Figure 1, item 10 for location.

In the event of excessive current draw, the circuit breaker will trip. After determining and correcting the source of the overload, push the circuit breaker button to reset.

Note: Jacks equipped with a three-phase electrical system have no circuit breaker button. These units use a resettable motor overload relay that is mounted inside the jack electrical enclosure. Refer to Section 6.5 for additional information.

5.4 Jacking Safely

You must know the weight of what you intend to lift and choose a jack with **at least 20 percent** additional capacity.

All persons operating the jack should obtain and be familiar with the *American National Standards Institute* rules that apply to hydraulic rams and jacks (ASME ANSI B30.1) or the equivalent standards used in your country or region.



WARNING: Never place any part of your body under the load at any time while it is being lifted, lowered or hydraulically supported by the Pow'r-Riser jack.



WARNING: The Pow'r-Riser jack should not be used to hydraulically support the load for any period of time after the lift has been completed. Support the load with Enerpac U-Rings (optional accessory) or appropriately rated load supports immediately after it has been lifted to the desired height.



WARNING: Never leave the Pow'r-Riser jack unattended during operation, even for a brief period of time. Closely monitor jack operation at all times and be prepared to stop lifting or lowering immediately.



WARNING: Do not use the Pow'r-Riser jack outdoors in windy conditions. Changes in wind direction or velocity could cause the load to become unstable or fail.

5.5 Operating Instructions (See Figures 3, 4 and 5)

TO RAISE THE LOAD:

1. Be certain that the jack is positioned on a solid and level surface, capable of supporting the load and the base of the jack. Be sure that the lifting cylinder is perpendicular to the ground. Refer to Section 4.4 for additional jack positioning instructions.
2. If a high jacking point requires a taller jack, install extensions and spacers (optional accessories) on the cylinder as required. Refer to Section 5.6 for installation instructions and additional information about extensions and spacers.
3. Place a piece of good quality plywood or other compression material (approximately 1/4" [6,3 mm] thick with high friction characteristics) between the cylinder load cap and the jacking point. This will provide a small amount of cushioning and will also help prevent damage to the jacking point.
4. To raise the load, move the control valve lever to the advance position. Then, depress the pendant button to start motor and advance cylinder.



CAUTION: When lifting with more than one jack, be especially careful to keep the load level. Leveling is best accomplished by alternately starting and stopping the jacks to keep the load level enough so it remains stable.

5. When load has reached the desired height, release the pendant button and move the control valve lever to the center (neutral/hold) position.
6. Be sure that the proper Enerpac U-Rings are installed on the cylinder (refer to Section 5.8 for U-Ring installation and stacking instructions). If U-Rings are not used, be sure that other load supports of appropriate load rating are in place.
7. Move the control valve lever to the retract position. Depress the pendant button and allow the load to lower until it is supported by the U-Rings or load supports. Then, return the lever to the center (neutral/hold) position.



WARNING: After lifting is completed, always support the load using the proper Enerpac U-Rings or appropriately rated load supports. Never rely on the cylinder's hydraulic pressure to support the lifted load.



WARNING: Wait an appropriate amount of time before working under the load after it is supported by U-Rings or load supports. Any settling of jack base or load supports into the ground below must not exceed 1/4 inch [6.4 mm]. If additional settling occurs, reposition jack or load supports on solid ground.

TO LOWER THE LOAD:

1. Move the control valve lever to the advance position.
2. Depress the pendant button and allow the cylinder to advance a small amount, so that the load is lifted off of U-Rings or clears the load supports. Then place the control valve lever in the center (neutral/hold) position.
3. After the U-Rings or load supports are removed, move the control valve lever to the retract position. Depress the pendant button to retract the cylinder.



CAUTION: Be careful while lowering to ensure that the load is lowered evenly, so that load shifting does not occur.

4. When load has been fully lowered, place the control valve lever in the center (neutral/hold) position.

AFTER COMPLETING THE JOB:

Fully retract the cylinder. Disconnect power cord from electrical outlet.

Remove any extensions or spacers from the cylinder. Place U-Rings (if used) on the storage racks provided on the jack.

Always store the jack and its accessories in a clean and dry area, free of moisture and direct sunlight.

5.6 Stacking Instructions - Extensions and Spacers (See Figure 5)

Extensions and spacers are available as optional accessories from your Enerpac authorized distributor. They may be ordered individually or in sets. Refer to tables 3 and 4 for additional information.

PRE Series extensions allow the jack's useful lifting height to be increased in increments of 5, 7, 9 or 11 inches [127, 178, 229 or 279 mm]. On short stroke Pow'r-Riser models only, larger extensions can also be used, allowing the useful lifting height to be increased in increments of 14 or 18 inches [356 or 457 mm].

Table 3 - PRE Series Extensions (optional accessories)

Extension Model	Thickness (each)	
	inches	mm
PRE5	5	127
PRE7	7	178
PRE9	9	229
PRE11	11	279
PRE14*	14	356
PRE18*	18	457
PRES6024 Extension Set	Includes PRE5, PRE7, PRE11 and PRE18 (1 each).	
* For use on short stroke jacks only (models ending in "14L" or "16L")		

PRS Series spacers allow additional fine adjustment of the extension stack height. They may be used alone or in conjunction with PRE Series extensions.

Spacer Model	Thickness (each)	
	inches	mm
PRS1	1	25
PRS2	2	51
PRS3	3	76
PRS4 Spacer Set	Set includes PRS1, PRS2 and PRS3 (1 each).	



WARNING: Never exceed the maximum additional stack height for your jack model. Refer to Table 5 for additional information.

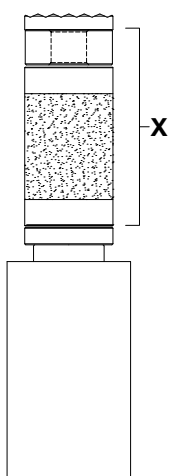


WARNING: Failure to observe the following instructions could allow load to shift or drop. Serious personal injury and/or property damage may result.

When using PRE Series extensions and/or PRS Series spacers, always obey the following rules:

- For loads up to 60 tons [54 metric tons]: Any *two* PRE Series extensions may be included in the stacking arrangement, provided that the maximum stack height (See Table 5) is not exceeded and the following exceptions are observed:
 - 1) Jack models PREMB06014L, PREMI06014L and PREME06014L:** Only *one* PRE18 extension can be included in the stacking arrangement.
 - 2) All jack models ending in “16L”:** Only *one* PRE11, PRE14 or PRE18 extension can be included in the stacking arrangement.
 - 3) All jack models ending in “27L”:** Extensions PRE14 and PRE18 cannot be included in the stacking arrangement. These extensions are designed for short stroke jacks only (models ending in “14L” and “16L”).
- For loads over 60 tons [54 metric tons], or strokes over 14 inches [356 mm]: Only *one* PRE Series extension and *one* PRS Series spacer can be included in the stacking arrangement.
- Never exceed 3 inches [76 mm] in total spacer height.
- Never exceed the maximum additional stack height for your jack model. Refer to Table 5, dimension “X”.

Jack Model	Maximum Additional Stack Height (dimension “X”)	
	inches	mm
PREM_06014L	32	813
PREM_06027L	11	279
PREM_10016L	21	533
PREM_10027L	11	279
PREM_15016L	21	533
PREM_15027L	11	279
PREM_20016L	21	533
PREM_20027L	11	279



Note: Fifth letter of model will be B, E, I, G, W, J or R, depending on jack electrical configuration.

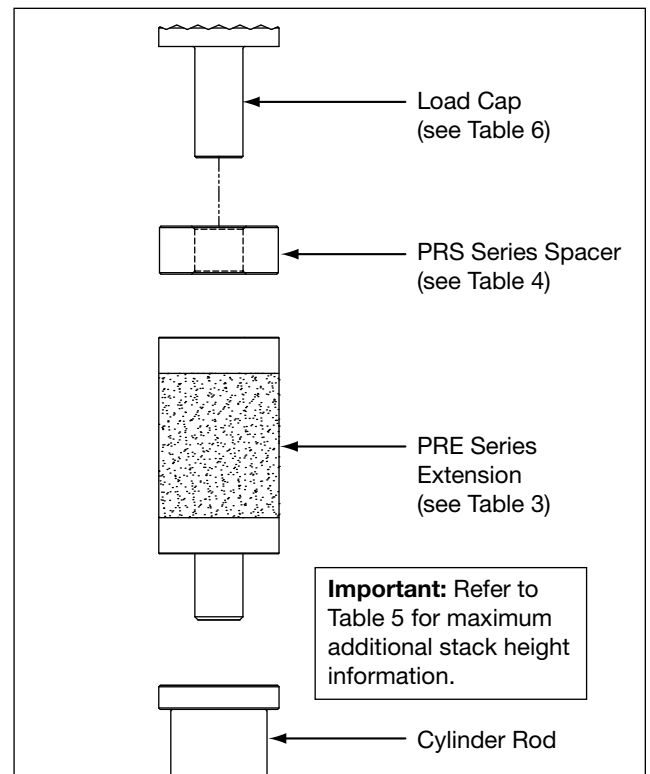


Figure 5, Extension and Spacer Installation (typical)

5.7 Load Caps

A non-swivel load cap is included with the jack as standard equipment. A swivel load cap is available as an optional accessory. Refer to Table 6 for a list of load cap model numbers.

IMPORTANT: Use a swivel load cap to properly engage angled lifting points. A swivel load cap should always be used when the amount of misalignment between the standard load cap and the lifting point is too large to be compensated for by use of plywood or other suitable high-friction compression material alone.

Jack Model	Load Cap Model Numbers	
	Non-Swivel Load Cap (standard)	Swivel Load Cap (optional accessory)
PREM_06014L	42208E	PRTS60
PREM_06027L		
PREM_10016L	42208E	PRTS60
PREM_10027L		
PREM_15016L	42208E	PRTS150
PREM_15027L		
PREM_20016L	42208E	PRTS200
PREM_20027L		

Note: Fifth letter of model will be B, E, I, G, W, J or R, depending on jack electrical configuration.

Table 7 - U-Ring Information											
Jack Model	U-Ring Size and Model Number					U-Ring Set Model Number	Items Included in Each U-Ring Set				
	1 inch [25 mm]	3 inch [76 mm]	4-1/2 inch [114 mm]	5-1/2 inch [140 mm]	10 inch [254 mm]		2x	1x	2x	1x	4x
PREM_06014L	PRU11	PRU13	PRU14	-	-	PRUS126	PRU11	PRU13	PRU14	-	-
PREM_06027L	PRU11	PRU13	PRU14	-	PRU110	PRUS137	PRU11	PRU13	PRU14	PRU110	-
PREM_10016L	PRU11	PRU13	PRU14	-	-	PRUS126	PRU11	PRU13	PRU14	-	-
PREM_10027L	PRU11	PRU13	PRU14	-	PRU110	PRUS137	PRU11	PRU13	PRU14	PRU110	-
PREM_15016L	PRU151	PRU153	-	PRU155	-	PRUS1526	PRU151	PRU153	PRU155	-	-
PREM_15027L	PRU151	PRU153	-	PRU155	PRU1510	PRUS1537	PRU151	PRU153	PRU155	PRU1510	-
PREM_20016L	PRU201	PRU203	-	PRU205	-	PRUS2026	PRU201	PRU203	PRU205	-	-
PREM_20027L	PRU201	PRU203	-	PRU205	-	PRUS2037	PRU201	PRU203	-	-	PRU205

Note: Fifth letter of model will be B, E, I, G, W, J or R, depending on jack electrical configuration.

5.8 U-Ring Stacking Instructions (See Figure 6)

Pow'r-Riser U-Rings (optional accessories) allow positive mechanical load holding of a lifted load. The U-Rings are placed on top of the cylinder housing and around the extended cylinder rod. They are available in five different lengths for each Pow'r-Riser model.

To help ensure proper alignment and installation, the top surface of the cylinder housing and the top surface of each U-Ring contains a raised locator. The bottom surface of each U-Ring contains a mating recess.

The U-Rings are made of steel and aluminum. A steel U-Ring must always be positioned at the top and bottom ends of the U-Ring stack. The aluminum U-Rings must always be located in the middle of the stack, between the two steel U-Rings. This stacking arrangement helps prevent damage to the aluminum U-Rings.



CAUTION: Never position an aluminum U-Ring at the top or bottom end of the U-Ring stack.

Install U-Rings as described in the following steps:

1. Using the jack, raise the load to the desired lifting height. Refer to the instructions in Section 5.5 of this manual.
2. Place one steel U-Ring on top of the cylinder housing, around the extended cylinder rod.
3. As required, place one or more aluminum U-Rings on top of the steel U-Ring, around the extended cylinder rod. The quantity of aluminum U-Rings to be installed will vary, depending on jack model, lifting height and the U-Ring set being used. Refer to Table 7 for additional information.
4. Place a second steel U-Ring at the top of the U-Ring stack.

IMPORTANT: Be sure the arrow on each U-Ring is pointing up. Be sure all locators are fully engaged in the mating recesses of the U-Rings.



WARNING: Pinch point hazard: In the following step, keep hands and fingers clear of area between load support ring and top of U-Ring stack.

5. Slowly lower the cylinder rod until the weight of the load is supported by the U-Rings. Refer to the information in Section 5.5 for jack operating instructions.

IMPORTANT: Follow all applicable work rules and regulations in effect at your facility or worksite. The use of auxiliary stands, blocking or other additional load supports may be required even when U-Rings are installed.

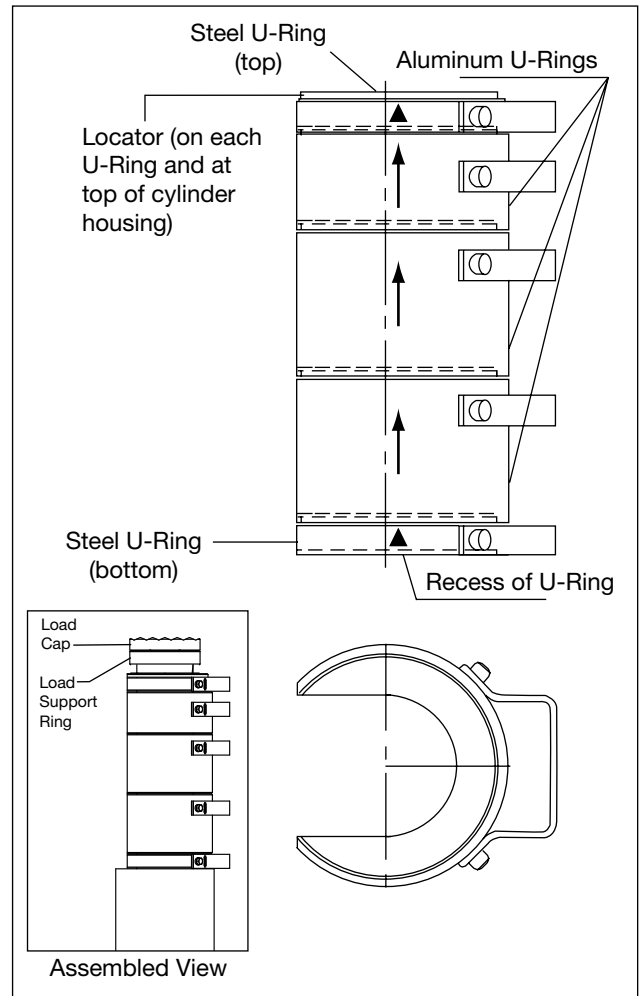


Figure 6, U-Ring Stacking Arrangement (typical)

6.0 MAINTENANCE

6.1 Maintain Oil Level in Hydraulic Reservoir

Check the hydraulic oil level every 30 days. Oil level should be approximately 1 inch [25 mm] below top of reservoir, with cylinder fully retracted and motor off.

If oil level is low, add Enerpac HF hydraulic oil as required. If Enerpac HF is not available at the work site, use an equivalent hydraulic oil that meets the specifications shown in Table 8.

ISO Grade	32
Viscosity Index	100 min
Viscosity at 210 °F	42-45 S.U.S.
Viscosity at 100 °F	150-165 S.U.S.
Viscosity at 0 °F	<12000 S.U.S.
API Gravity	31.0-33.0
Flash, C.O.C. °F	400
Pour Point, °F	-35
Paraffinic Base Color	Blue

IMPORTANT: Failure to use the proper oil may result in damage to jack hydraulic components and will void the product warranty. Use of Enerpac HF oil is strongly recommended.

IMPORTANT: Be sure that the oil is clean. If the oil has a milky, cloudy or dark appearance, it should be changed immediately as described in Section 6.2.

6.2 Changing the Oil (See Figure 7)

Change the oil at least every 12 months.

Note: The following conditions will require more frequent oil changes:

- Rigorous duty, where oil temperature may reach 150 °F [60 °C].
- A high humidity environment and/or extreme changes in temperature that can result in condensation inside the reservoir.
- Dirty or dusty environments that may contaminate the oil.

Change the oil as described in the following steps:

1. Be sure that cylinder is fully retracted and that power cord is disconnected from electrical outlet.

IMPORTANT: The 5 gallon [18,9 liter] hydraulic reservoir holds approximately 4.2 gallons [15,9 liters] of oil when filled to the proper level with cylinder fully retracted and motor off. Dispose of used oil in accordance with all applicable laws and regulations.

2. Loosen and remove oil drain plug at bottom of reservoir. Allow used oil to drain into a suitable container.
3. Clean and reinstall oil drain plug.
4. Remove, clean and reinstall the reservoir air breather. It is mounted on the reservoir top cover plate. See Figure 7 for location.

5. Loosen oil fill plug at top of reservoir. Using a clean funnel, slowly fill the reservoir until the oil level is about 1 inch [25 mm] below top of reservoir. Use Enerpac HF hydraulic oil or a suitable equivalent that meets the specifications shown in Table 8.
6. Reinstall oil fill plug.
7. Remove the old oil filter and replace it with a new one of the proper specifications. Catch any spilled oil in a suitable container.
8. Raise and lower the cylinder several times to check for proper operation before placing the jack back into service.

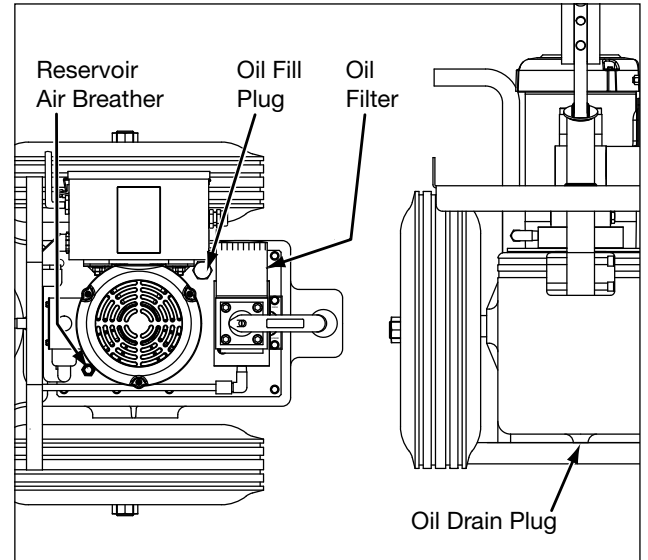


Figure 7, Oil Change

6.3 Wheels and Tires (See Figure 8)

Every 30 hours of operation:

- Check the tires for wear or damage. Replace as required.
- Check the tire inflation pressure. Each tire should be inflated to 90 psi [6,2 bar].

Every 12 months:

- Lubricate both wheel bearings with a high quality wheel bearing grease. Each wheel hub contains a grease fitting.

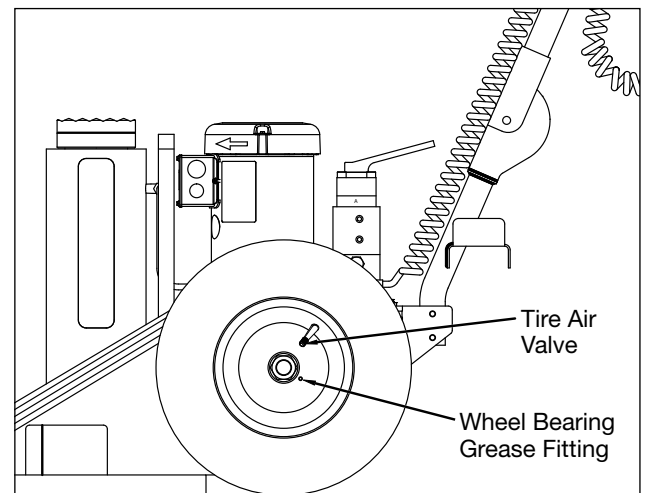


Figure 8, Wheel and Tire Maintenance

6.4 Fuse Replacement (See Figures 9 and 10)



WARNING: Electric Shock Hazard! High voltage is present inside the jack even when motor is off. Be sure that jack power cord is disconnected from the electrical outlet (or other electrical power source) before removing or installing fuses, or before opening the electrical enclosure door (if equipped). Failure to observe this precaution could result in death or serious personal injury.

A step-down transformer mounted inside the jack electrical enclosure supplies low voltage power to the remote control pendant and various other electrical components. Fuses help protect the transformer and components from damage.

All jack models contain two fuses: a transformer primary fuse (power input) and a transformer secondary fuse (power output).

Refer to Table 9 for replacement fuse information. Always use fuses only of the specified ratings and sizes.



WARNING: Failure to install fuses of the proper specifications may cause fire, erratic operation and/or damage to jack. Death, serious personal injury or property damage could result.

On jacks equipped with a single-phase electrical system, the fuses are located on the lower portion of the jack electrical enclosure. The fuse holders are mounted on the outside of the enclosure and can be accessed without removing the enclosure cover. See Figure 9.

On jacks equipped with a three-phase electrical system, the fuses are located inside the jack electrical enclosure. The enclosure door must be opened to gain access to the fuses. See Figure 10.

If a fuse blows, it may indicate an excessive line voltage condition. Always verify that the line voltage is correct before replacing any blown fuses. A fuse may also blow if the jack power cord or pendant cable becomes worn or damaged.



WARNING: Immediately replace a worn or damaged power cord or pendant cable. Do not resume jack operation until repairs are completed. Electric shock may occur if contact is made with broken or exposed wiring. Death or serious personal injury may result.

If one or both fuses continue to blow after being replaced and the problem cannot be determined, have the jack electrical system inspected and repaired by an Enerpac authorized service center.

Table 9 - Replacement Fuse Information

Jack Model Beginning with:	(See figures 9 and 10 for fuse locations)	
	A Primary Fuse (power input)	B Secondary Fuse (power output)
PREMB (115V) PREMI (230V) PREME (200V)	40mA 250V 1/4" x 1-1/4" Time Delay	300mA 250V 1/4" x 1-1/4" Time Delay
PREMG (208-240V)	1A 600V 13/32" x 1-1/2" Time Delay	4A 125V 5mm x 20mm Time Delay
PREMW (380-415V)	600mA 600V 13/32" x 1-1/2" Time Delay	4A 125V 5mm x 20mm Time Delay
PREMJ (440-480V)	500mA 600V 13/32" x 1-1/2" Time Delay	4A 125V 5mm x 20mm Time Delay
PREMR (575V)	400mA 600V 13/32" x 1-1/2" Time Delay	4A 125V 5mm x 20mm Time Delay

Note: Fifth letter of model number will be B, E, I, G, W, J or R, depending on jack electrical configuration.

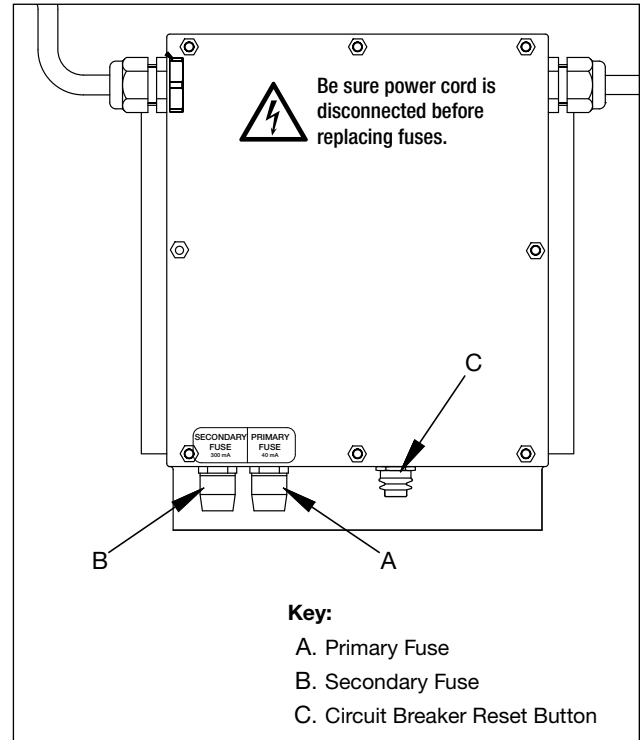


Figure 9, Fuse and Reset Button Locations, Single-Phase Models

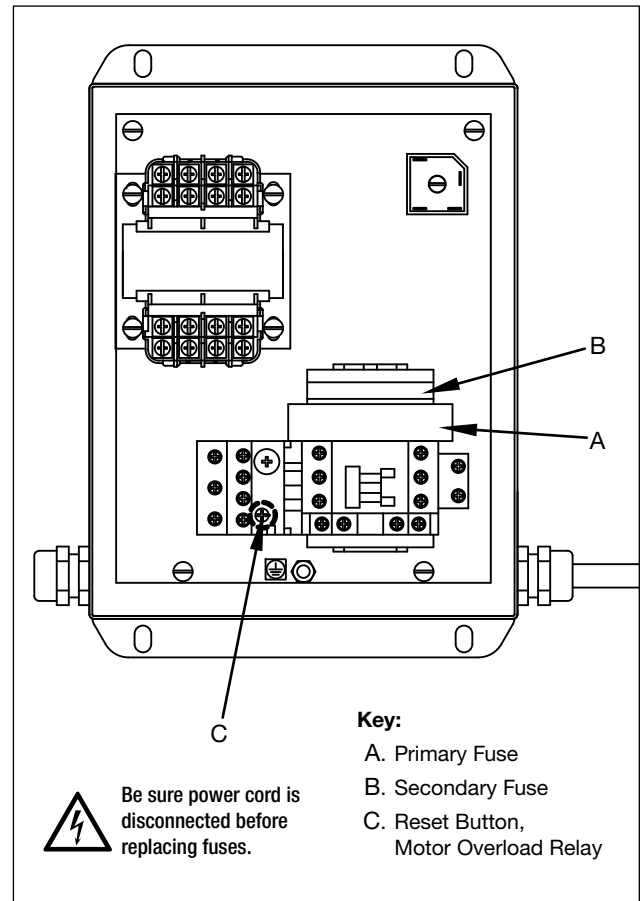


Figure 10, Fuse and Reset Button Locations, Three-Phase Models

6.5 Motor Overload Relay (Three-phase models only)



DANGER: Electric Shock Hazard! High voltage is present inside the jack even when motor is off. Be sure that jack power cord is disconnected from the electrical outlet (or other electrical power source) before removing or installing fuses or before opening the electrical enclosure door. Failure to observe this precaution could result in death or serious personal injury.

Jack models equipped with a three-phase electrical system contain a resettable motor overload relay. The relay reset button is located inside the jack electrical enclosure. See Figure 10, Item C.

If the motor overload relay trips, the jack motor will not start when the pendant buttons are depressed. The trip indicator flag (located on the front of the relay) will also be visible.

To reset the motor overload relay, depress and release the reset button and verify that the trip indicator flag disappears. This indicates that the relay has been reset.

If the motor overload relay will not reset, wait a few minutes for the relay to cool and then try resetting it again.

If the motor overload relay continues to trip during normal operation, have the jack electrical system inspected and repaired by an Enerpac authorized service center.

7.0 TROUBLESHOOTING

The information in the Troubleshooting Guide (refer to Table 10) is intended as an aid to help diagnose and correct various possible problems that may occur.

For repair service, contact your local Enerpac authorized service center. Only an Enerpac authorized service center should service the jack and its components.



DANGER: High voltage is present in the jack electrical system even when motor is off. Before removing the electrical enclosure cover or opening the electrical enclosure door, be sure that the jack power cord is disconnected from the electrical outlet or other electrical power source.



WARNING: Always unplug jack power cord from electrical outlet before replacing any fuses.



WARNING: All electrical troubleshooting procedures must be performed by a trained and qualified electrician.



WARNING: Never tighten or loosen hydraulic fittings while jack hydraulic system is pressurized.

Table 10 - Troubleshooting Guide

Symptom	Possible Cause	Solution
1. Sporadic cylinder action.	Air trapped in hydraulic system.	Cycle cylinder up and down several times to bleed trapped air.
	Low oil level in hydraulic reservoir.	Add Enerpac HF oil as required.
	Seal wear and/or other internal damage.	Have hydraulic system inspected by Enerpac authorized service center. Repair or replace components as required.
2. Noisy operation.	Air trapped in hydraulic system.	Cycle cylinder up and down several times to bleed trapped air.
	Low oil level in hydraulic reservoir.	Add Enerpac HF oil as required.
	Air leaks in hydraulic system.	Check all points where air might leak into system.
	Clogged or blocked pump intake screen.	Have hydraulic reservoir and intake screen flushed and cleaned by Enerpac authorized service center.
3. Unusually slow operation.	Low voltage.	Check AC line voltage.
	Extension cord too long.	Use a shorter extension cord.
	Extension cord wire gauge not thick enough.	Use an extension cord with a thicker wire gauge.
4. Oil is overheating.	Low oil level in hydraulic reservoir.	Add Enerpac HF oil as required.
	Oil viscosity too high or too low.	Drain reservoir and refill with Enerpac HF oil.
	High pressure leakage at the pump.	Have hydraulic system inspected by Enerpac authorized service center. Repair or replace components as required.
5. Pump runs but will not pump oil. OR Cylinder moves but will not lift load.	Seal wear and/or other internal damage.	Have hydraulic system inspected by Enerpac authorized service center. Repair or replace components as required.
	Control valve needs repair.	Have control valve inspected by Enerpac authorized service center. Repair or replace as required.

(continued on next page)

Table 10 - Troubleshooting Guide (Continued)

Symptom	Possible Cause	Solution
6. Cylinder extends but will not retract.	Internal pressure leaks, or leaking retract hoses.	Have hydraulic system inspected by Enerpac authorized service center. Repair or replace components as required.
	Internal relief valve setting or retract side relief valve setting too low.	Have hydraulic system inspected by Enerpac authorized service center. Repair or replace components as required.
	Defective over-center valve, secondary lock valve or control valve.	Have hydraulic system inspected by Enerpac authorized service center. Repair or replace components as required.
	Pump not developing enough pressure.	Have hydraulic system inspected by Enerpac authorized service center. Repair or replace components as required.
7. Pump does not run.	No power or incorrect power.	Check AC line power.
	Jack circuit breaker tripped. (single-phase models only)	Depress circuit breaker reset button (on jack electrical enclosure).
	Jack motor overload relay tripped. (three-phase models only)	Depress reset button on motor overload relay (inside jack electrical enclosure).
	Transformer primary or secondary fuse blown.	Remove both fuses and check them for continuity. If one or both fuses are blown, check line voltage to be sure it is correct for your jack model. Verify that the fuses installed are of the correct type and rating. Refer to Table 9. Note: A damaged pendant cable can cause the secondary fuse to blow. If one or both fuses continue to blow after being replaced and the problem cannot be determined, have the jack electrical system inspected and repaired by an Enerpac authorized service center.
	Motor brushes worn. (single-phase models only)	Have motor brushes replaced by Enerpac authorized service center.
	Loose connections or incorrect wiring.	Have electrical system inspected by Enerpac authorized service center.
8. Pump motor turns in wrong direction. (three-phase models only)	Motor and/or electrical components worn or damaged.	Have electrical system inspected by Enerpac authorized service center. Repair or replace components as required.
	Wiring incorrect.	Reverse electrical leads.
9. Pump motor runs hot or trips circuit breaker. (single-phase models) Pump motor runs hot or trips motor overload relay. (three-phase models)	Motor worn or damaged.	Have motor inspected by Enerpac authorized service center. Repair or replace as required.
	Motor is "single phasing". (three-phase models only)	Correct electrical wiring.
	Pump element damaged, worn or seized.	Have pump element inspected by Enerpac authorized service center. Repair or replace as required.
10. Pump motor tries to start but will not run.	Low voltage.	Check AC line voltage.
	Pump element jammed.	Have pump element inspected by Enerpac authorized service center. Repair or replace components as required.
	Motor and/or electrical components worn or damaged.	Have electrical system inspected by Enerpac authorized service center. Repair or replace components as required.
11. Jack is difficult to roll on wheels.	Low tire inflation pressure.	Check tire inflation pressure. Add air if low. Pressure should be 90 psi [6,2 bar].
	Wheel bearings need lubrication.	Apply grease to wheel bearings.
	Wheel locknut out of adjustment.	Loosen locknut until wheel rotates freely.

L3093 Rev. C 12/15

Index:

English	1-12
Deutsch	13-24
Português Brasileiro	25-36

1.0 BEI EMPFANG ZU BEACHTEN

Überprüfen Sie alle Komponenten optisch auf Transportschäden, da Transportschäden nicht unter die Garantie fallen. Sollten Sie Transportschäden feststellen, benachrichtigen Sie bitte sofort die Speditionsfirma. Die Speditionsfirma haftet für alle Reparatur- und Austauschkosten, die durch transportbedingte Schäden anfallen.

2.0 SICHERHEITSVORSCHRIFTEN

Lesen Sie sich alle Anweisungen sorgfältig durch. Beachten Sie alle Sicherheitsvorkehrungen, um Verletzungen, Schäden am Zylinder oder sonstige Sachschäden während des Systembetriebs zu vermeiden. Enerpac haftet nicht für Schäden oder Verletzungen infolge unsachgemäßer Benutzung, fehlender Wartung oder falscher Bedienung. Entfernen Sie keine Warnhinweise, Kennzeichnungen oder Aufkleber. Bei Fragen und Unsicherheiten wenden Sie sich bitte an Enerpac oder Ihren örtlichen Enerpac-Vertragshändler.

Sollten Sie keinerlei Erfahrung in Bezug auf Hochdruckhydraulik-Sicherheit haben, wenden Sie sich bitte an Ihren Vertragshändler oder Ihr Servicecenter für einen kostenlosen Enerpac Hydraulik-Sicherheitskurs.

In dieser Bedienungsanleitung werden Gefahrensymbole, Signalwörter und Sicherheitshinweise verwendet, um den Benutzer vor bestimmten Gefahren zu warnen. Eine Missachtung dieser Warnungen kann zu Schäden an der Ausrüstung und sonstigen Sachschäden sowie zu schweren Verletzungen und sogar zum Tod führen.



Das Gefahrensymbol wird in dieser Bedienungsanleitung durchgehend verwendet und verweist auf eine potentielle Verletzungsgefahr. Beachten Sie die Gefahrensymbole und befolgen Sie sämtliche damit einhergehenden Sicherheitshinweise, da ansonsten Verletzungs- oder Lebensgefahr besteht.

Gefahrensymbole werden in Kombination mit bestimmten Signalwörtern verwendet, die auf Sicherheitshinweise oder Warnhinweise vor möglichen Sachschäden sowie auf den Gefährdungsgrad hinweisen. Die in dieser Bedienungsanleitung verwendeten Signalwörter sind **GEFAHR**, **WARNUNG**, **VORSICHT** und **WICHTIG**.

GEFAHR: Weist auf eine gefährliche Situation hin, die bei Missachtung zu schweren Verletzungen und sogar zum Tod führen **kann**.

WARNUNG: Weist auf eine gefährliche Situation hin, die bei Missachtung zu schweren Verletzungen und sogar zum Tod führen **kann**.

VORSICHT: Weist auf eine gefährliche Situation hin, die bei Missachtung zu leichten und mittelschweren Verletzungen führen **kann**.

WICHTIG: Weist auf wichtige Informationen hin, die jedoch nicht mit Gefahren verbunden sind (z. B. Warnhinweise vor möglichen Sachschäden). Beachten Sie bitte, dass das Gefahrensymbol **nicht** in Kombination mit diesem Signalwort verwendet wird.



Das Hochspannungssymbol weist bei Anlagen oder Geräten auf Hochspannung und eine damit verbundene Stromschlaggefahr hin. Um tödliche oder schwere Verletzungen zu vermeiden, muss vor Inspektions-, Wartungs- oder Reparaturarbeiten stets das Netzkabel von der Stromversorgung getrennt werden.

1.2 Sicherheitsvorkehrungen - Pow'r Riser Hubzylinder



WARNUNG: Die Missachtung und Nichteinhaltung der folgenden Sicherheitsvorkehrungen kann zu schweren Verletzungen und sogar zum Tod führen. Darüber hinaus können dadurch Sachschäden entstehen.

- Hände und Füße während des Betriebs vom Hydraulikzylinder und von den zugehörigen Komponenten fernhalten.
- Beim Betrieb hydraulischer Anlagen stets persönliche Schutzausrüstung (PSA) tragen (Handschuhe, Augenschutz, Kopfschutz, Sicherheitsschuhe usw.).
- Druckbeaufschlagte Leitungen nicht anfassen. Unter hohem Druck austretendes Öl kann die Haut durchdringen und zu schweren Verletzungen führen. Wenn Öl unter die Haut gelangt ist, sofort einen Arzt aufsuchen.
- Der Heber darf ausschließlich zum Heben von Lasten verwendet werden. Der Heber darf keinesfalls zum Schieben oder Trennen von Objekten oder sonstigen bestimmungswidrigen Zwecken verwendet werden.
- Der Heber darf nach dem Anheben von Lasten keinesfalls als hydraulische Stütze verwendet werden. Nach dem Anheben der Last auf die gewünschte Höhe sind sofort Enerpac U-Ringe (optionales Zubehör) oder geeignete Stützen zu verwenden.
- Die Nennkapazität des Hebers darf keinesfalls überschritten werden. Legen Sie einen Sicherheitsbereich fest, bei dem ein eventuelles Verschieben von Lasten oder Situationen zur Aufnahme von seitlichen Lasten berücksichtigt werden. Die Nichtbefolgung dieses Warnhinweises kann zu einem Versagen des Hebers führen.
- Überlastschutzeinrichtungen dürfen keinesfalls modifiziert werden. Das interne Entlastungsventil des Hebers darf ausschließlich von einem autorisierten Servicecenter repariert oder eingestellt werden. Der maximale Hydraulikdruck des Hydrauliksystems darf den maximal zulässigen Druck des Hebermodells nicht überschreiten (siehe Tabelle 1). Höhere Einstellungen können zu Verletzungen und/oder Schäden an der Ausrüstung führen.
- Stellen Sie vor dem Heben der Last sicher, dass die Hubeinrichtung stabil ist. Der Heber darf ausschließlich auf einer stabilen und ebenen

Oberfläche eingesetzt werden, die stabil genug ist, um die Last und den Heber zu tragen. Last stets auf dem Druckstück des Hebers zentrieren. Wenn der Heber nicht senkrecht zur Last positioniert ist, kann die Last abrutschen oder herunterfallen.

- Beim Anheben von Lasten mit mehreren Hebern muss die Last gleichmäßig verteilt werden. Die Missachtung dieses Warnhinweises kann zu einem Herunterfallen der Last und/oder Versagen des Hebers führen.
- Wenn der Heber in Betrieb ist oder unbeaufsichtigt unter Last steht, sind externe Ereignisse und höhere Gewalt (Wind, Sturm, Hochwasser, Erdbeben oder sonstige seismische Aktivitäten usw.) zu berücksichtigen. Unter solchen Bedingungen darf der Heber nicht eingesetzt werden.



VORSICHT: Die Missachtung und Nichteinhaltung der folgenden Sicherheitsvorkehrungen kann zu leichten und mittelschweren Verletzungen führen. Darüber hinaus können dadurch Sachschäden entstehen.

- Wenn der Heber nicht in Betrieb ist, Zylinder vollständig einfahren und System vor äußeren Beschädigungen schützen. Heber sauber halten, vor Schweißspritzern schützen und an einem sauberen trockenen Ort aufbewahren. Die Missachtung dieser Sicherheitsvorkehrungen kann zu Funktionsstörungen, Leistungsverlust, erhöhtem Verschleiß und/oder Schäden am Heber führen.
- Heber von offenem Feuer und Wärmequellen fernhalten. Zur Gewährleistung einer optimalen Leistung darf der Heber keinen Temperaturen über 65 °C [150 °F] ausgesetzt werden. Die Missachtung dieser Sicherheitsvorkehrungen kann zu Funktionsstörungen, Leistungsverlust, erhöhtem Verschleiß und/oder Schäden am Heber führen.
- Ersetzen Sie sofort alle verschlissenen oder beschädigten Teile durch Originalersatzteile von Enerpac. Enerpac-Ersatzteile passen perfekt und halten hohen Belastungen stand. Ersatzteile anderer Hersteller könnten versagen und zu Fehlfunktionen des Hebers führen.

WICHTIG:

- Zum Abstützen der Last können am Heber Enerpac U-Ringe (optionales Zubehör) angebracht werden. Die U-Ringe sind jedoch nicht dazu geeignet, Lasten langfristig abzustützen. Wenn eine Last länger als 30 Tage abgestützt werden muss, sind entsprechend geeignete Lastaufnahmeinrichtungen zu verwenden.
- Hydraulikausrüstung darf nur von einem qualifizierten Hydrauliktechniker gewartet werden. Für Reparaturservice wenden Sie sich an ein von Enerpac autorisiertes Servicecenter in Ihrer Nähe.
- Um Beschädigungen interner Komponenten zu vermeiden, darf der Zylinder nach dem maximalen Aus- oder Einfahren nicht mehr beaufschlagt werden.

2.2 Elektrotechnische Sicherheitsanweisungen



GEFAHR: Die Nichtbeachtung der folgenden Anweisungen und Sicherheitsvorkehrungen kann zu schweren Verletzungen und sogar zum Tod führen!

BETRIEB UND PFLEGE

- Heber in einem geeigneten Raum lagern. In einem sicheren Bereich aufbewahren, um die Nutzung durch unbefugte Personen zu verhindern.
- Heber nicht mit Sprühwasser oder ähnlichem reinigen.
- Heber nicht in Betrieb nehmen, wenn das Netzkabel oder der Netzstecker beschädigt sind oder wenn der Heber nicht einwandfrei funktioniert, heruntergefallen oder anderweitig beschädigt ist. Schicken Sie den Heber an das nächstgelegene, von Enerpac autorisierte Servicecenter, um das Gerät überprüfen, reparieren und elektrische oder mechanische Einstellungen vornehmen zu lassen.

UNTERBRECHUNG DER STROMVERSORGUNG

- Vor dem Entfernen des Netzsteckers aus der Steckdose sicherstellen, dass der Motor des Hebers ausgeschaltet ist..
- Netzkabel immer am Stecker aus der Steckdose ziehen, nie am Kabel selbst.
- Nach jedem Einsatz sowie vor der Wartung und Reinigung des Hebers, Netzstecker aus der Steckdose ziehen.



GEFAHR: Selbst wenn der Motor ausgeschaltet ist, können im Inneren des Hebers hohe Spannungen auftreten. Vor dem Entfernen des Elektrogehäuses oder dem Öffnen der Elektrogehäusetür stets sicherstellen, dass das Netzkabel von der Stromversorgung oder sonstigen Stromquellen getrennt ist.

ERDUNGSVORSCHRIFTEN



GEFAHR: Stromschlaggefahr! Der Heber muss an eine ordnungsgemäß geerdete Steckdose angeschlossen werden.

Der Heber muss geerdet sein. Bei einer Funktionsstörung oder einem Ausfall bietet die Erdung dem abfließenden Strom den geringsten Widerstand und schützt so vor elektrischen Schlägen. Der Heber verfügt über ein Netzkabel mit Schutzleiter.

Bei 1-phasigen Modellen verfügt das Netzkabel über einen Stecker mit Schutzkontakt. Bei 3-phasigen Modellen muss von einem qualifizierten Elektriker ein geeigneter Stecker mit Schutzkontakt angebracht werden. Der Stecker muss an eine nach den geltenden örtlichen Vorschriften installierte und geerdete Steckdose angeschlossen werden.



GEFAHR: Bei einem unsachgemäßen Anschluss des Schutzleiters besteht Stromschlaggefahr. Der isolierte Leiter mit grüner Außenfläche mit oder ohne gelbe Streifen ist der Schutzleiter.

- Heber nicht an eine Netzsteckdose anschließen, wenn das Netzkabel und/oder der Stecker beschädigt sind. Falls erforderlich, beschädigte Komponenten reparieren oder austauschen. Bevor der Heber wieder an die Steckdose angeschlossen wird, muss sichergestellt werden, dass der Schutzleiter ordnungsgemäß verdrahtet ist. Wenden Sie sich an einen qualifizierten Elektriker, wenn Sie die Erdungsvorschriften nicht vollständig verstehen, oder wenn Sie Zweifel haben, ob der Heber richtig geerdet ist.

ERDUNGSVORSCHRIFTEN (FORTSETZUNG)

- Modelle beginnend mit PREMB, PREMI und PREME: Der mit dem Heber mitgelieferte Stecker darf nicht modifiziert werden. Wenn der Stecker nicht in die Steckdose passt, muss von einem qualifizierten Elektriker eine passende Steckdose angebracht werden.
- Wenden Sie sich an einen qualifizierten Elektriker, wenn Sie Zweifel haben, ob eine Steckdose ordnungsgemäß geerdet ist.
- Alle Hebermodelle beginnend mit PREME und PREMI: Der Heber ist zum Anschluss an einen 1-phasigen Stromkreis mit mindestens 120 Volt Nennspannung bestimmt. Er ist werkseitig mit einem speziellen Netzkabel und Stecker ausgestattet. An dem Stecker darf kein Adapter verwendet werden.
- Alle Hebermodelle beginnend mit PREMG, PREM J, PREMR oder PREM W: Der Heber ist zum Anschluss an einen 3-phasigen Stromkreis mit mindestens 120 Volt Nennspannung bestimmt. Der Stecker muss gemäß den Anforderungen an Spannung und Stromstärke des Hebers von einem qualifizierten Elektriker bereitgestellt, installiert und verdrahtet werden. An dem Stecker darf kein Adapter verwendet werden.
- Wenn der Heber an einen anderen Stromkreistyp angeschlossen werden muss, hat dies durch einen qualifizierten Elektriker zu erfolgen. Dieser Anschluss muss den geltenden örtlichen Vorschriften entsprechen.

VERWENDUNG VON VERLÄNGERUNGSKABELN

Wenn für das Netzkabel des Hebers ein Verlängerungskabel benötigt wird, muss ein Kabel mit passendem Querschnitt verwendet werden. Wenden Sie sich in Bezug auf ein Verlängerungskabel mit passendem Querschnitt an einen qualifizierten Elektriker.



GEFAHR: Stromschlaggefahr! Der Heber muss an eine ordnungsgemäß geerdete Steckdose angeschlossen werden.

Wenn ein Verlängerungskabel verwendet wird:

- 1) Die gekennzeichneten elektrischen Nennwerte des Verlängerungskabels müssen mindestens den elektrischen Nennwerten des Hebers entsprechen.
- 2) 3-adriges Verlängerungskabel für Einphasenstrom mit Erdung oder 4-adriges Verlängerungskabel für Dreiphasenstrom mit Erdung.

3) Lange Verlängerungskabel müssen so verlegt werden, dass sie keine Stolperstellen bilden.

Wenn der Heber im Freien verwendet wird, dürfen nur für die Arbeit im Freien zugelassene und entsprechend gekennzeichnete Verlängerungskabel verwendet werden. Verlängerungskabel für die Arbeit im Freien sind mit dem Buchstaben „W“ und dem Zusatz „Zur Verwendung im Freien geeignet“ gekennzeichnet.

ZUSÄTZLICHE SICHERHEITSVORKEHRUNGEN



WARNUNG: Elektrische Heber nicht in explosionsfähigen Umgebungen verwenden. Funken oder Lichtbögen können entflammbare Dämpfe oder Schwebestaub entzünden.

WICHTIG: Um Schäden am Elektromotor des Hebers zu vermeiden, Leistungsangaben am Heber oder Typenschild überprüfen. Bei Verwendung einer ungeeigneten Steckdose kann der Motor beschädigt werden.

3.0 PRODUKTDATEN

Tabelle 1 - Allgemeine technische Daten					
Maximaler Betriebsdruck	Modell	psi	bar		
	PREM_060__L	6.000	414		
	PREM_100__L	9.700	669		
	PREM_150__L	10.200	703		
	PREM_200__L	10.200	703		
Tragfähigkeit	Modell	US-Tonnen	Metrische Tonnen	kN	
	PREM_060__L	60	54	533	
	PREM_100__L	100	90	889	
	PREM_150__L	150	136	1333	
	PREM_200__L	200	181	1778	
Hydrauliköltyp	Enerpac HF (Für die Öl-Spezifikationstabelle siehe Tabelle 8)				
Maximale Hydrauliköltemperatur	76 °C [170 °F]				
Ölvolumen des Hydraulikbehälters (Näherungswert - wenn bis zur vorgesehenen Höhe gefüllt)	15,9 Liter [4,2 Gallonen]				
Spannungsversorgung	Modellnummer beginnend mit:	Volt AC	Hz	Phase	Maximale Stromaufnahme (Ampere)
	PREMB	115	50-60	1	17,0
	PREMI (Stecker für Nordamerika)	230	50-60	1	9,0
	PREME (Europäischer Stecker)	230	50-60	1	9,0
	PREMG	208-240	50-60	3	8,0
	PREMW	380-415	50-60	3	4,8
	PREMJ	440-480	50-60	3	4,0
PREMR	575	50-60	3	3,2	

Tabelle 2 - Hublängen und Gewichte									
Kurzhubige Modelle	Hublänge		Gewicht		Langhubige Modelle	Hublänge		Gewicht	
	Zoll	mm	Pfund	kg		Zoll	mm	Pfund	kg
PREM_06014L	14	356	390	177	PREM_06027L	27	686	600	272
PREM_10016L	16	406	510	231	PREM_10027L	27	686	600	272
PREM_15016L	15,5	394	570	258	PREM_15027L	26,5	673	708	321
PREM_20016L	15,5	394	639	290	PREM_20027L	26,5	673	825	374

Hinweise: Bei den oben angegebenen Gewichtsangaben handelt es sich um Näherungswerte. Für die Außenabmessungen des Produkts siehe den Enerpac-Katalog.

Der fünfte Buchstabe der Modellnummer ist ein B, E, I, G, W, J oder R (abhängig von der elektrischen Konfiguration des Hebers).

Legende:

1. Sicherungshebel
2. Griffsystem
3. Transportstange*
4. Netzkabel
5. Steuerventil
6. Motorfernbedienung
7. Elektromotor
8. Entlüftungsstopfen
9. Gehäuse,
1-phasig (mit Abdeckblech)
10. Schutzschalter
11. Öleinfüllverschluss
12. Ölfilter
13. Hydraulikzylinder
14. Hydraulikbehälter
15. Ölablassschraube
17. Hebeöse*
18. Schmiernippel des Radlagers
19. Luftventil (Reifen)
20. Halterung für U-Ring
21. Elektrische Sicherungen

*Nicht bei allen Modellen vorhanden.

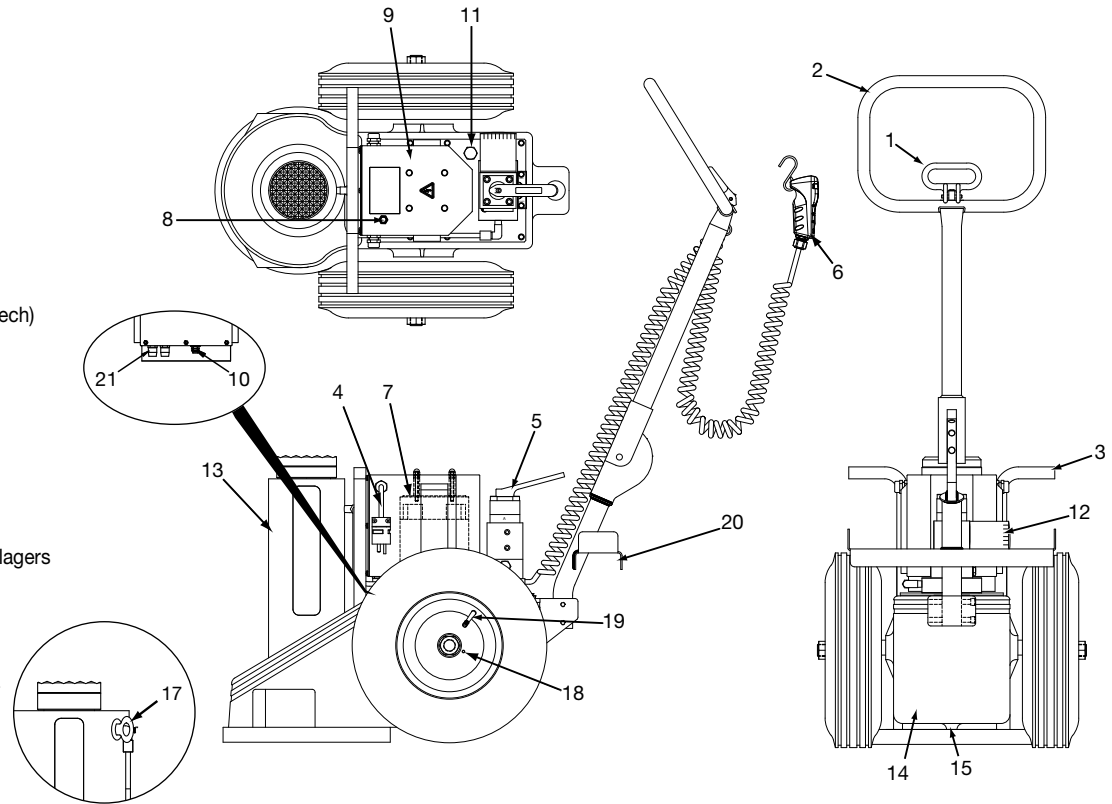


Abbildung 1: Wichtigste Funktionen und Komponenten - Serien PREMB, PREME und PREMI (Einphasenstrom)

Legende:

1. Sicherungshebel
2. Griffsystem
3. Transportstange*
4. Netzkabel**
5. Steuerventil
6. Motorfernbedienung
7. Elektromotor
8. Entlüftungsstopfen
11. Öleinfüllverschluss
12. Ölfilter
13. Hydraulikzylinder
14. Hydraulikbehälter
15. Ölablassschraube
16. Elektrogehäuse, 3-Phasen
17. Hebeöse*
18. Schmiernippel des Radlagers
19. Luftventil (Reifen)
20. Halterung für U-Ring
21. Elektrische Sicherungen***
22. Motorschutzrelais***
23. Drehrichtungspfeil des Motors

*Nicht bei allen Modellen vorhanden.

**Netzstecker nicht im Lieferumfang enthalten (vom Kunden bereitzustellen).

***Befindet sich in Nr. 16.

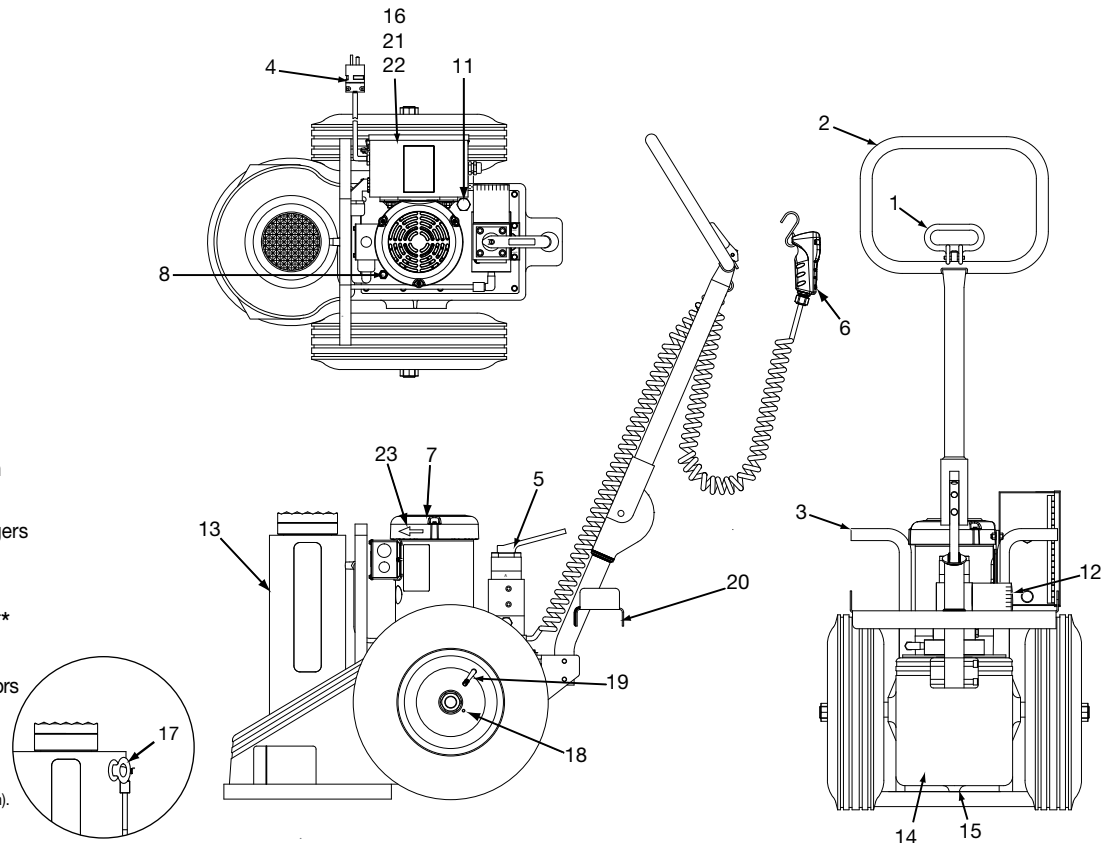


Abbildung 2: Wichtigste Funktionen und Komponenten - Serien PREMG, PREM, PREMR und PREMW (Dreiphasenstrom)

4.0 ERSTMALIGE INBETRIEBNAHME

4.1 Öl nachfüllen

Vor dem Start Öleinfüllverschluss (siehe Abbildung 1 und 2, Nr. 11) entfernen und Ölstand überprüfen. Der Ölstand sollte 25 mm [1 Zoll] unter der Oberkante des Behälters liegen. Falls erforderlich, Enerpac HF Hydrauliköl nachfüllen. Für weitere Informationen siehe Abschnitt 6.1.

4.2 Elektrische Anforderungen

Überprüfen, ob die Steckdose für das Hebermodell geeignet ist. Für die Anforderungen an Spannung und Phasenfolge siehe Typenschild des Hebers.

Für den Unterbrechungs- und Stromkreisschutz ist der Kunde verantwortlich. Der Stromkreisschutz muss 115 % des Volllaststroms des Motors betragen.

Bei 1-phasigen Modellen wird ein Netzkabel und ein Stecker mitgeliefert, die der zum Zeitpunkt der Bestellung angegebenen Netzspannung entsprechen.



WARNUNG: Die Modifizierung eines Steckers darf ausschließlich unter Einhaltung der örtlichen und nationalen Vorschriften durch einen qualifizierten Elektriker erfolgen.

Bei 3-phasigen Modellen wird das Netzkabel *ohne* Stecker geliefert. Der Stecker muss gemäß den Anforderungen an Spannung und Stromstärke des Hebers von einem qualifizierten Elektriker installiert und verdrahtet werden. Die Installation und Verdrahtung des Steckers hat unter Einhaltung der geltenden Vorschriften und Bestimmungen zu erfolgen.

4.3 Erstmalsige Inbetriebnahme des Hebers

Hinweis: Für die Elemente in Klammern (. .) siehe Abbildungen 1 und 2.

1. Sicherstellen, dass sich der Hebel des Steuerventils (Nr. 5) in der Mittelstellung (Neutral/Halten) befindet.
2. Netzkabel des Hebers an eine Steckdose anschließen.
3. Taste der Motorfernbedienung drücken und Rotation des Lüfters beobachten (nur bei 3-phasigen Modellen). Überprüfen, ob sich der Lüfter in der gleichen Richtung dreht wie der Pfeil (Nr. 23) an der Oberseite des Motorgehäuses.

Hinweis: Führen Sie bei einem unbelasteten Zylinder die folgenden Schritte durch. Für detaillierte Bedienungsanweisungen siehe Abschnitt 5.0.

4. Zylinder (Nr. 13) vollständig aus- und einfahren, um zu überprüfen, ob der Heber ordnungsgemäß funktioniert. Hebel des Steuerventils (Nr. 5) und Taste der Motorfernbedienung (Nr. 6) verwenden, um die Zylinderbewegung zu steuern. Falls erforderlich, Zylinder drehen, bis sich dieser reibungslos bewegt, um das System zu entlüften.

4.4 Verwendung des Griffsystems zur Positionierung des Hebers

Hinweis: Für die Elemente in Klammern (. .) siehe Abbildungen 1 und 2.

1. Sicherungshebel (Nr. 1) drücken, um Sicherungsstift zu lösen.
2. Mit gelöstem Sicherungsstift Griff (Nr. 2) an der gewünschten Stelle positionieren und Sicherungshebel (Nr. 1) drücken, um Sicherungsstift einrasten zu lassen.
3. Der Heber kann jetzt nach hinten gekippt werden und zum Arbeitsplatz geschoben oder gezogen werden. Vorsicht beim Rückwärtsgehen.
4. Falls erforderlich, kann der Heber mit der Transportstange (Nr. 3 - falls vorhanden) oder der bzw. den Hebeöse(n) (Nr. 17 - falls vorhanden) angehoben werden.

Hinweis: Die kurzhubigen Modelle der Serien PREM_060, PREM_100 und PREM_150 sind mit Transportstangen ausgerüstet. Langhubige Modelle sowie das kurzhubige Modell PREM_20016L sind hingegen nicht mit Transportstangen ausgerüstet.

Alle langhubigen Modelle sind mit *einer* Hebeöse ausgerüstet. Das kurzhubige Modell PREM_20016L ist mit *zwei* Hebeösen ausgerüstet. Die kurzhubigen Modelle der Serien PREM_060, PREM_100 und PREM_150 sind nicht mit Hebeösen ausgerüstet.



WARNUNG: Der Heber darf ausschließlich mithilfe von Hebeöse(n) oder Transportstange angehoben werden. Der Heber darf keinesfalls am Griff angehoben werden. Der Griff dient ausschließlich dazu, den Heber über die Räder rollend zu bewegen und den Heber unter dem Anhebepunkt zu positionieren.

5. Heber unter Verwendung des Griffsystems so positionieren, dass sich das Druckstück des Zylinders mittig unter dem Anhebepunkt der Last befindet.



WARNUNG: Sicherstellen, dass der Heber auf einer stabilen und ebenen Oberfläche positioniert ist, wobei der Hubzylinder senkrecht zum Boden stehen muss. Wenn der Heber nicht senkrecht zur Last positioniert ist, kann der Heber abrutschen und die Last herunterfallen. Falls erforderlich, bewegliches Druckstück verwenden, um schräge Anhebepunkte zu vermeiden. Für weitere Informationen siehe Abschnitt 5.7.

5.0 BETRIEB

5.1 Steuerventil (siehe Abbildung 3)

Der Hydraulikfluss zum Hubzylinder wird über ein 4-Wege-Handventil mit 3 Stellungen gesteuert.

- Hebel in die Ausfahrposition bewegen, um eine Last anzuheben.
- Hebel in die Einfahrposition bewegen, um eine Last abzusenken.
- Hebel nach dem Anheben oder Absenken sofort auf Mittelstellung (Neutral/Halten) einstellen.

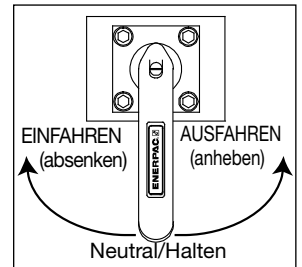


Abbildung 3: Steuerventil

Hinweis: Die Position Neutral/Halten wird auch als "Ruheposition" bezeichnet.

5.2 Motorfernbedienung (siehe Abbildung 4)

Der Pumpenmotor wird über eine am an der Motorfernbedienung angebrachten Drucktaste gesteuert.

Taste gedrückt:

Motor startet. Der Systemdruck wird aufgebaut und der Zylinder bewegt sich, solange die Taste gedrückt ist oder bis der Zylinder das Ende des Hubs erreicht hat.

Taste losgelassen:

Motor stoppt. Zylinderbewegung wird gestoppt und Rückschlagventil hält die Last.

Hinweis: Wenn sich der Zylinder nach dem Starten des Motors nicht bewegt, muss überprüft werden, ob sich der Hebel des Steuerventils in der Einfahr- oder Ausfahrposition befindet.

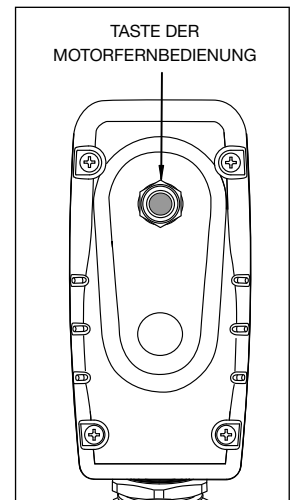


Abbildung 4: Motorfernbedienung

5.3 Schutzschalter

Bei allen Hebermodellen, die mit einem 1-phasigen elektrischen System ausgerüstet sind, wird ein rücksetzbarer Schutzschalter verwendet. Dazu zählen die Heber, deren Modellnummern mit PREMB, PREME und PREMI beginnen. Der Reset-Schalter des Schutzschalters befindet sich an der Unterseite des Elektrogehäuses. Siehe Abbildung 1, Nr. 10.

Bei einer zu hohen Stromaufnahme wird der Schutzschalter ausgelöst. Nach Ermittlung und Beseitigung der Überlast-Quelle Reset-Schalter des Schutzschalters drücken, um das System zurückzusetzen.

Hinweis: Hebermodelle, die mit einem 3-phasigen elektrischen System ausgerüstet sind, verfügen über keinen Schutzschalter. Diese Modelle verwenden ein rücksetzbares Motorschutzrelais, das im Elektrogehäuse des Hebers untergebracht ist. Für weitere Informationen siehe Abschnitt 6.5.

5.4 Sicheres Anheben

Sie müssen das Gewicht der anzuhebenden Last kennen, und einen Heber verwenden, der eine **mindestens um 20 %** höhere Kapazität aufweist.

Alle Personen, die den Heber bedienen, sollten mit den Richtlinien für Hydraulikzylinder und -heber (ASME ANSI B30.1) des *American National Standards Institute* oder den entsprechenden, für ihr Land oder ihre Region geltenden Standards vertraut sein.



WARNUNG: Halten Sie sich niemals unter einer Last auf, die angehoben, abgesenkt oder von einem Pow'r-Riser Hubzylinder abgestützt wird.



WARNUNG: Der Pow'r-Riser Hubzylinder darf nach dem Anheben von Lasten keinesfalls als hydraulische Stütze verwendet werden. Nach dem Anheben der Last auf die gewünschte Höhe sind sofort Enerpac U-Ringe (optionales Zubehör) oder geeignete Stützen zu verwenden.



WARNUNG: Der Pow'r-Riser Hubzylinder darf während des Betriebs keinesfalls, auch nicht für kurze Zeit, unbeaufsichtigt gelassen werden. Der Heber muss während des Betriebs aufmerksam überwacht werden, um das Anheben oder Absenken unverzüglich stoppen zu können.



WARNUNG: Pow'r-Riser Hubzylinder bei windigen Bedingungen nicht im Freien verwenden. Änderungen der Windrichtung oder Windgeschwindigkeit können dazu führen, dass Lasten instabil werden oder herunterfallen.

5.5 Bedienung des Hebers (siehe Abbildung 3, 4 und 5)

LAST ANHEBEN:

1. Sicherstellen, dass der Heber auf einer stabilen und ebenen Oberfläche positioniert ist, die stabil genug ist, um die Last und den Heber zu tragen. Sicherstellen, dass der Hubzylinder senkrecht zum Boden steht. Für weitere Positionierungsanweisungen siehe Abschnitt 4.4.
2. Wenn für einen Anhebepunkt ein größerer Heber benötigt wird, können Sie bei Bedarf Verlängerungen und Abstandshalter (optionales Zubehör) am Zylinder anbringen. Für Installationsanweisungen und zusätzliche Informationen zu Verlängerungen und Abstandshaltern siehe Abschnitt 5.6.
3. Qualitativ hochwertiges Sperrholz oder anderes Pressmaterial (etwa 6,3 mm (0,25 Zoll) dick mit guten Reibungseigenschaften) zwischen dem Druckstück des Zylinders und dem Anhebepunkt positionieren. Durch diese Auspolsterung lassen sich Schäden am Anhebepunkt vermeiden.
4. Hebel des Steuerventils auf Ausfahrposition einstellen, um Last anzuheben. Anschließend Taste der Motorfernbedienung drücken, um Motor zu starten und Zylinder auszufahren.



VORSICHT: Bei der Arbeit mit mehreren Hebern besonders darauf achten, dass die Last waagrecht bleibt. Die waagerechte Ausrichtung lässt sich am besten bewerkstelligen, indem man die Heber abwechselnd startet und stoppt. Auf diese Weise bleibt die Last waagrecht und stabil.

5. Wenn die Last die gewünschte Höhe erreicht hat, Taste des Hängetasters drücken und Hebel des Steuerventils auf Mittelstellung (Neutral/Halten) einstellen.
6. Sicherstellen, dass die Enerpac U-Ringe ordnungsgemäß am Zylinder installiert sind (für die Anbringung der U-Ringe und Erweiterungen siehe Abschnitt 5.8.) Wenn keine U-Ringe verwendet werden, sicherstellen, dass anderweitige Stützen mit ausreichender Tragfähigkeit vorhanden sind.
7. Hebel des Steuerventils auf Einfahrposition einstellen. Taste der Motorfernbedienung drücken und Last absenken, bis sie von den U-Ringen oder Stützen abgestützt wird. Anschließend Hebel des Steuerventils wieder auf Mittelstellung (Neutral/Halten) einstellen.



WARNUNG: Last nach dem Anheben stets mit Enerpac U-Ringen oder geeigneten Stützen mit ausreichender Tragfähigkeit abstützen. Eine angehobene Last darf keinesfalls über den Hydraulikdruck des Zylinders abgestützt werden.



WARNUNG: Vor der Arbeit unter einer von U-Ringen oder Stützen abgestützten Last einige Zeit warten. Die Basis des Hebers oder der Stützen darf nicht mehr als 6,4 mm (0,25 Zoll) in den Boden eindringen. Sollte dieser Wert überschritten werden, dann müssen der Heber oder die Stützen auf einer stabilen Oberfläche neu positioniert werden.

LAST ABSENKEN:

1. Hebel des Steuerventils auf Einfahrposition einstellen.
2. Taste der Motorfernbedienung drücken und Zylinder etwas ausfahren lassen, so dass die Last von den U-Ringen abgehoben oder von den Stützen freigegeben wird. Anschließend Hebel des Steuerventils auf Mittelstellung (Neutral/Halten) einstellen.
3. Nach dem Entfernen der U-Ringe oder Stützen Hebel des Steuerventils auf Einfahrposition einstellen. Taste der Motorfernbedienung drücken, um Zylinder einzufahren.



VORSICHT: Beim Absenken muss besonders vorsichtig vorgegangen werden, um sicherzustellen, dass die Last gleichmäßig abgesenkt wird, ohne verschoben zu werden.

4. Wenn die Last vollständig abgesenkt ist, Hebel des Steuerventils auf Mittelstellung (Neutral/Halten) einstellen.

NACH BEENDIGUNG DER ARBEIT:

Zylinder vollständig einfahren. Netzkabel von der Stromversorgung trennen.

Sämtliche Verlängerungen und Abstandshalter vom Zylinder entfernen. U-Ringe (falls verwendet) in die dafür vorgesehenen Halterungen des Hebers einhängen.

Den Heber und das Zubehör stets in einem sauberen und trockenen Bereich lagern, der frei von Feuchtigkeit oder vor direktem Sonnenlicht geschützt ist.

5.6 Erweiterungen - Verlängerungen und Abstandshalter (siehe Abbildung 5)

Verlängerungen und Abstandshalter sind bei Ihrem Enerpac-Vertragshändler erhältlich. Sie können einzeln oder als Sets bestellt werden. Für weitere Informationen siehe Tabelle 3 und 4.

Mit den *Verlängerungen der PRE-Serie* kann die Hubhöhe des Hebers in Schritten von 127, 178, 229 or 279 mm [5, 7, 9 oder 11 Zoll] vergrößert werden. Bei kurzhubigen Pow'r-Riser-Modellen können auch noch längere Verlängerungen verwendet werden, mit denen die Hubhöhe in Schritten von 356 oder 457 mm [14 oder 18 Zoll] vergrößert werden kann.

Tabelle 3 - Verlängerungen der PRE-Serie (optionales Zubehör)

Verlängerungsmodell	Dicke (jeweils)	
	Zoll	mm
PRE5	5	127
PRE7	7	178
PRE9	9	229
PRE11	11	279
PRE14*	14	356
PRE18*	18	457
PRES6024 Verlängerungsset	Umfasst PRE5, PRE7, PRE11 und PRE18 (jeweils 1 Exemplar).	
* Nur für den Einsatz bei kurzhubigen Hebern (Modelle endend auf "14L" oder "16L")		

Mit den *Abstandshaltern der PRS-Serie* kann eine zusätzliche Feinjustierung der Erweiterungshöhe vorgenommen werden. Sie können allein oder in Kombination mit Verlängerungen der PRE-Serie verwendet werden.

Tabelle 4 - Abstandshalter der PRS-Serie (optionales Zubehör)		
Abstandshaltermodell	Dicke (jeweils)	
	Zoll	mm
PRS1	1	25
PRS2	2	51
PRS3	3	76
PRS4 Abstandshalterset	Set umfasst PRS1, PRS2 und PRS3 (jeweils 1 Exemplar).	

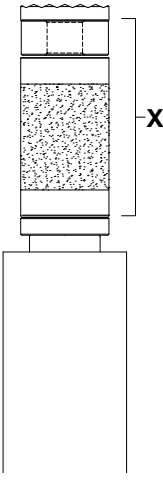
! WARNUNG: Die maximale Erweiterungshöhe des Hebermodells darf keinesfalls überschritten werden. Für weitere Informationen siehe Tabelle 5.

! WARNUNG: Die Nichtbeachtung der folgenden Anweisungen kann dazu führen, dass die Last verschoben wird oder herunterfällt. Dies kann wiederum zu Verletzungen und/oder Sachschäden führen.

Bei der Verwendung von Verlängerungen der PRE-Serie und/oder Abstandshaltern der PRS-Serie sind folgende Vorschriften zu beachten:

- Für Lasten bis 54 Tonnen [60 US-Tonnen]: Die *beiden* Verlängerungen der PRE-Serie können beliebig als Erweiterung verwendet werden, vorausgesetzt, dass die maximale Erweiterungshöhe (siehe Tabelle 5) nicht überschritten wird und die folgenden Ausnahmen beachtet werden:
 - 1) Hebermodelle PREMB06014L, PREMI06014L und PREME06014L:** Es kann nur *eine* PRE18-Verlängerung als Erweiterung verwendet werden.
 - 2) Alle Hebermodelle endend auf "16L":** Es kann nur *eine* PRE11, PRE14 oder PRE18-Verlängerung als Erweiterung verwendet werden.
 - 3) Alle Hebermodelle endend auf "27L":** Die Verlängerungen PRE14 und PRE18 können nicht als Erweiterung verwendet werden. Diese Verlängerungen sind ausschließlich für kurzhubige Heber konzipiert (Modelle endend auf "14L" und "16L").
- Für Lasten über 54 Tonnen [60 US-Tonnen] oder Hublängen von mehr als 356 mm [14 Zoll]: Es können nur *eine* Verlängerung der PRE-Serie und nur *ein* Abstandshalter der PRS-Serie als Erweiterung verwendet werden.
- Gesamte Abstandhalterhöhe darf 76 mm [3 Zoll] nicht überschreiten.
- Die maximale Erweiterungshöhe des Hebermodells darf keinesfalls überschritten werden. Siehe Tabelle 5, Abmessung "X".

Tabelle 5 - Maximale Erweiterungshöhe bei Verwendung optionaler Verlängerungen der PRE-Serie und Abstandshalter der PRS-Serie		
Hebermodell	Maximale Erweiterungshöhe (Abmessung "X")	
	Zoll	mm
PREM_06014L	32	813
PREM_06027L	11	279
PREM_10016L	21	533
PREM_10027L	11	279
PREM_15016L	21	533
PREM_15027L	11	279
PREM_20016L	21	533
PREM_20027L	11	279



Hinweis: Der fünfte Buchstabe der Modellnummer ist ein B, E, I, G, W, J oder R (abhängig von der elektrischen Konfiguration des Hebers).

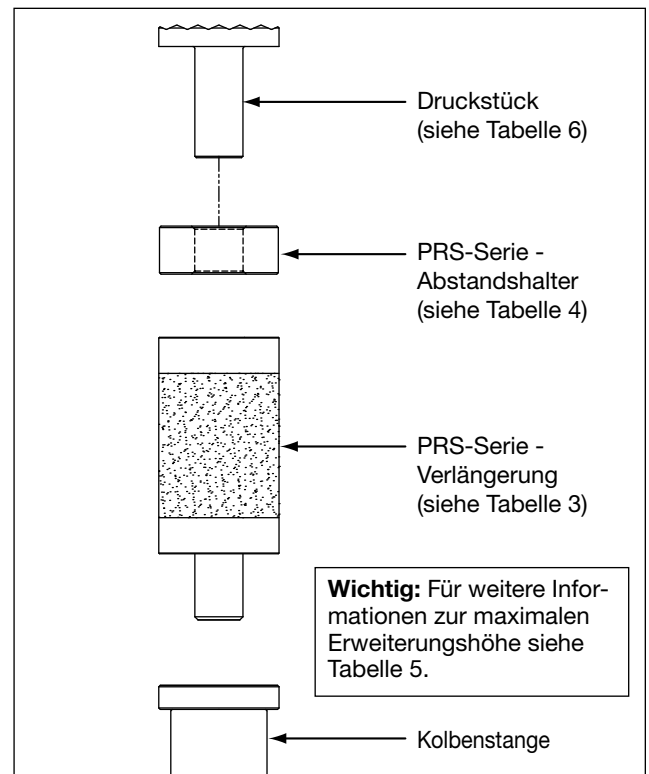


Abbildung 5: Anbringung der Verlängerungen und Abstandshalter (typisch)

5.7 Druckstücke

Ein nicht-bewegliches Druckstück ist standardmäßig im Lieferumfang des Hebers enthalten. Ein bewegliches Druckstück ist als optionales Zubehör erhältlich. Für eine Liste der Modellnummern der Druckstücke siehe Tabelle 6.

WICHTIG: Es sollte ein bewegliches Druckstück verwendet werden, um schräge Anhebepunkte zu vermeiden. Ein bewegliches Druckstück sollte immer dann verwendet werden, wenn die Fehlausrichtungstoleranz zwischen dem standardmäßigen Druckstück und dem Anhebepunkt zu groß ist, um mit Sperrholz oder anderem geeignetem Pressmaterial ausgeglichen werden zu können.

Tabelle 6 - Druckstücke		
Hebermodell	Druckstück - Modellnummer	
	Nicht-bewegliches Druckstück (standardmäßig)	Bewegliches Druckstück (optionales Zubehör)
PREM_06014L	42208E	PRTS60
PREM_06027L		
PREM_10016L	42208E	PRTS60
PREM_10027L		
PREM_15016L	42208E	PRTS150
PREM_15027L		
PREM_20016L	42208E	PRTS200
PREM_20027L		

Hinweis: Der fünfte Buchstabe der Modellnummer ist ein B, E, I, G, W, J oder R (abhängig von der elektrischen Konfiguration des Hebers).

Tabelle 7 - U-Ring-Informationen											
Hebermodell	U-Ring-Größe und Modellnummer					U-Ring Set Modellnummer	Komponenten je U-Ring-Set				
	25 mm [1 Zoll]	76 mm [3 Zoll]	114 mm [4,5 Zoll]	140 mm [5,5 Zoll]	254 mm [10 Zoll]		2x	1x	2x	1x	4x
PREM_06014L	PRU11	PRU13	PRU14	-	-	PRUS126	PRU11	PRU13	PRU14	-	-
PREM_06027L	PRU11	PRU13	PRU14	-	PRU110	PRUS137	PRU11	PRU13	PRU14	PRU110	-
PREM_10016L	PRU11	PRU13	PRU14	-	-	PRUS126	PRU11	PRU13	PRU14	-	-
PREM_10027L	PRU11	PRU13	PRU14	-	PRU110	PRUS137	PRU11	PRU13	PRU14	PRU110	-
PREM_15016L	PRU151	PRU153	-	PRU155	-	PRUS1526	PRU151	PRU153	PRU155	-	-
PREM_15027L	PRU151	PRU153	-	PRU155	PRU1510	PRUS1537	PRU151	PRU153	PRU155	PRU1510	-
PREM_20016L	PRU201	PRU203	-	PRU205	-	PRUS2026	PRU201	PRU203	PRU205	-	-
PREM_20027L	PRU201	PRU203	-	PRU205	-	PRUS2037	PRU201	PRU203	-	-	PRU205

Hinweis: Der fünfte Buchstabe der Modellnummer ist ein B, E, I, G, W, J oder R (abhängig von der elektrischen Konfiguration des Hebers).

5.8 U-Ring-Anweisungen (siehe Abbildung 6)

Pow'r-Riser-U-Ringe (optionales Zubehör) eignen sich ideal für alle Anwendungszwecke, wo eine positive mechanische Lasthaltung erforderlich ist. Die U-Ringe werden, die ausgefahrene Kolbenstange umschließend, an der Oberseite des Zylindergehäuses angebracht. Sie sind für jedes Pow'r-Riser-Modell in fünf verschiedenen Längen erhältlich.

Um eine korrekte Ausrichtung und Installation zu gewährleisten, befindet sich an der Oberseite des Zylindergehäuses und an der Oberseite der U-Ringe jeweils ein Zentrierring. An der Unterseite der U-Ringe befindet sich jeweils eine entsprechende Auskehlung.

Die U-Ringe sind aus Stahl oder Aluminium. Die U-Ringe aus Stahl müssen stets an den oberen und unteren Enden des Ringpakets positioniert werden. Die U-Ringe aus Aluminium müssen sich stets in der Mitte des Ringpakets, zwischen den beiden U-Ringen aus Stahl befinden. Mit dieser Stapelanordnung lässt sich verhindern, dass die U-Ringe aus Aluminium beschädigt werden.



VORSICHT: Keinesfalls U-Ring aus Aluminium am oberen oder unteren Ende des U-Ring-Pakets positionieren.

U-Ringe gemäß den folgenden Schritten installieren:

1. Ladung mit Heber auf gewünschte Hubhöhe anheben. Siehe die Anweisungen von Abschnitt 5.5 dieser Bedienungsanleitung.
2. U-Ringe aus Stahl an der Oberseite des Zylindergehäuses anbringen, dabei die ausgefahrene Kolbenstange umschließend.
3. Falls erforderlich, einen oder mehrere U-Ringe aus Aluminium, die ausgefahrene Kolbenstange umschließend, am oberen Ende des U-Rings aus Stahl anbringen. Die Anzahl der anzubringenden U-Ringe aus Aluminium kann je nach Hebermodell, Hubhöhe und dem verwendeten U-Ring-Set variieren. Für weitere Informationen siehe Tabelle 7.
4. Einen weiteren U-Ring aus Stahl an der Oberseite des Ringpakets anbringen.

WICHTIG: Sicherstellen, dass der Pfeil des jeweiligen U-Rings nach oben zeigt. Sicherstellen, dass alle Zentrierringe in die Auskehlungen der U-Ringe eingreifen.



WARNUNG: Quetschgefahr: Beim nächsten Schritt Hände und Finger aus dem Bereich zwischen Tragring und Oberseite des U-Ring-Stapels fernhalten.

5. Kolbenstange langsam absenken, bis das Gewicht der Last von den U-Ringen abgestützt wird. Siehe die Informationen zur Bedienung des Hebers in Abschnitt 5.5.

WICHTIG: Befolgen Sie sämtliche in Ihrer Einrichtung oder Ihrem Betrieb geltenden Arbeitssicherheits- und Unfallverhütungsvorschriften. Selbst wenn die U-Ringe installiert sind, können Hilfskonstruktionen, Aufklotzungen oder sonstige zusätzliche Stützen erforderlich sein.

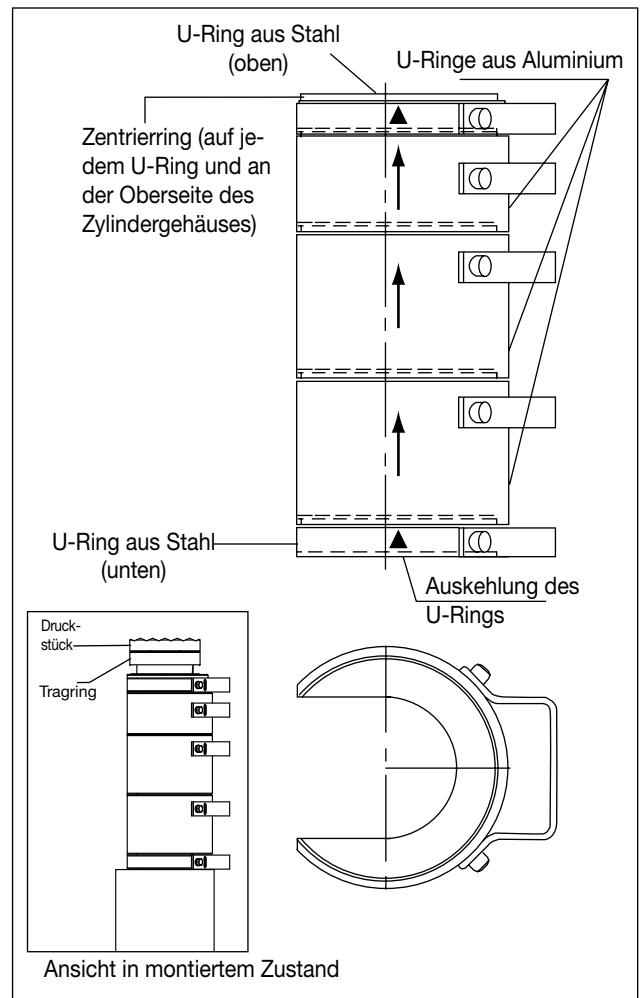


Abbildung 6: U-Ring-Erweiterung (typisch)

6.0 WARTUNG

6.1 Ölstand des Hydraulikbehälters überprüfen

Hydraulikölstand alle 30 Tage überprüfen. Der Ölstand sollte bei ausgeschaltetem Motor und vollständig eingefahrenem Zylinder etwa 25 mm [1 Zoll] unter der Oberkante des Behälters liegen.

Wenn der Ölstand zu niedrig ist, Enerpac HF Hydrauliköl nachfüllen. Sollte vor Ort kein Enerpac HF Hydrauliköl verfügbar sein, dann ein gleichwertiges Hydrauliköl verwenden, das den Spezifikationen von Tabelle 8 entspricht.

Tabelle 8 - Öl-Spezifikationen	
ISO-Klasse	32
Viskositätsindex	100 min
Viskosität bei 210 °F	42-45 S.U.S.
Viskosität bei 100 °F	150-165 S.U.S.
Viskosität bei 0 °F	<12000 S.U.S.
API-Dichte	31,0-33,0
Flash, C.O.C. °F	400
Fließpunkt, °F	-35
Paraffinische Grundfarbe	Blau

WICHTIG: Wenn das falsche Öl verwendet wird, kann dies zu Schäden an den Hydraulikkomponenten des Hebers und zum Verlust der Garantie führen. Es wird dringend empfohlen, Enerpac HF Hydrauliköl zu verwenden.

WICHTIG: Sicherstellen, dass das Öl sauber ist. Sollte das Öl milchig, flockig oder dunkel sein, muss es unverzüglich ausgetauscht werden, siehe Abschnitt 6.2.

6.2 Ölwechsel (siehe Abbildung 7)

Spätestens alle 12 Monate Öl austauschen.

Hinweis: Unter den folgenden Bedingungen muss das Öl öfter ausgetauscht werden:

- Wenn die Öltemperatur 60 °C [150 °F] erreicht haben sollte.
- In Umgebungen mit hoher Luftfeuchtigkeit und/oder bei extremen Temperaturschwankungen, die zu Kondensation im Behälter führen können.
- In schmutzigen oder staubigen Umgebungen, die das Öl kontaminieren können.

Der Ölwechsel ist in den folgenden Schritten durchzuführen:

1. Sicherstellen, dass der Zylinder vollständig eingefahren und das Netzkabel von der Stromversorgung getrennt ist.

WICHTIG: Der Hydraulikbehälter mit einem Volumen von 18,9 Litern [5 Gallonen] enthält ca. 15,9 Liter [4,2 Gallonen], wenn er bis zur vorgesehenen Höhe gefüllt ist (bei vollständig eingefahrenem Zylinder und ausgeschaltetem Motor). Altöl gemäß den geltenden gesetzlichen Bestimmungen und behördlichen Vorschriften entsorgen.

2. Ölablassschraube am Boden des Behälters lösen und entfernen. Altöl in geeigneten Behälter ablassen.
3. Ölablassschraube reinigen und wieder anbringen.
4. Entlüftungsstopfen entfernen, reinigen und wieder anbringen. Dieser befindet sich an der oberen Abdeckung des Behälters. Für die Position siehe Abbildung 7.

5. Öleinfüllverschluss an der Oberseite des Behälters entfernen. Behälter mithilfe eines Trichters mit Öl befüllen, bis der Ölstand 25 mm [1 Zoll] unter der Oberkante des Behälters liegt. Enerpac HF Hydrauliköl oder gleichwertiges Hydrauliköl verwenden, das den Spezifikationen von Tabelle 8 entspricht.
6. Öleinfüllverschluss wieder anbringen.
7. Alten Ölfilter entfernen und gemäß den Spezifikationen durch neuen ersetzen. Verschüttetes Öl in einem geeigneten Behälter auffangen.
8. Zylinder mehrmals anheben und absenken, um vor der erneuten Inbetriebnahme zu überprüfen, ob der Heber ordnungsgemäß funktioniert.

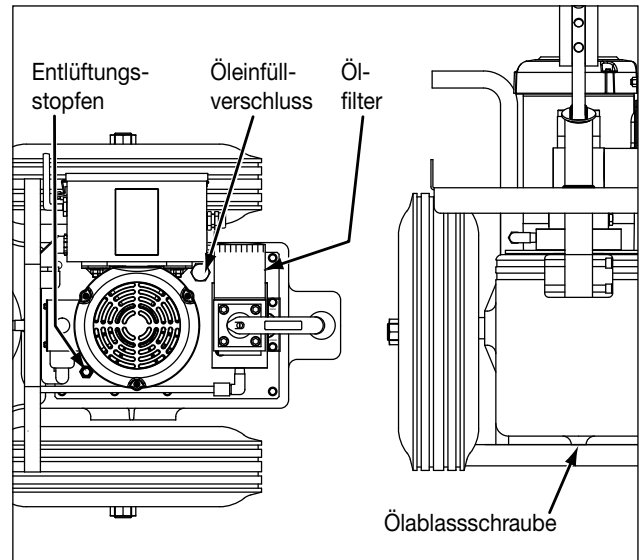


Abbildung 7: Ölwechsel

6.3 Räder und Bereifung (siehe Abbildung 8)

Nach 30 Betriebsstunden:

- Bereifung auf Verschleiß und Beschädigungen überprüfen. Bei Bedarf austauschen.
- Reifendruck überprüfen. Der Reifendruck sollte 6,2 bar [90 psi] betragen.

Alle 12 Monate:

- Beide Radlager mit qualitativ hochwertigem Radlagerfett schmieren. Jede Radnabe verfügt über einen Schmiernippel.

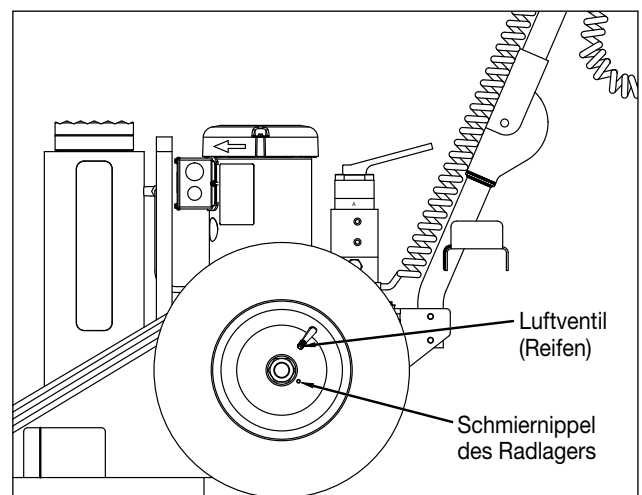


Abbildung 8: Wartung der Räder und Bereifung

6.4 Austausch der Sicherungen (siehe Abbildung 9 und 10)

! WARNUNG: Stromschlaggefahr! Selbst wenn der Motor ausgeschaltet ist, können im Inneren des Hebers hohe Spannungen auftreten. Vor dem Austausch der Sicherungen und vor dem Öffnen der Elektrogehäusetür (falls vorhanden), stets sicherstellen, dass das Netzkabel von der Stromversorgung (oder sonstigen Stromquellen) getrennt ist. Die Missachtung dieser Sicherheitsvorkehrung kann zu schweren Verletzungen und sogar zum Tod führen.

Ein im Elektrogehäuse angebrachter Abspanntransformator versorgt die Fernbedienung und verschiedene andere elektrische Komponenten mit Niederspannung. Die Sicherungen schützen den Transformator und die anderen Komponenten vor Beschädigungen.

Alle Hebermodelle verfügen über zwei Sicherungen: eine Primärsicherung (Stromeingang) und eine Sekundärsicherung (Stromausgang).

Für Informationen zum Austausch der Sicherungen siehe Tabelle 9. Nur Sicherungen mit vorgeschriebener Stromstärke verwenden.

! WARNUNG: Die Verwendung von Sicherungen, die nicht den Spezifikationen entsprechen, können Brände, Funktionsstörungen und/oder Schäden am Heber verursachen. Dies kann wiederum zu Sachschäden, schweren Verletzungen und sogar zum Tod führen.

Bei Hebern, die mit einem 1-phasigen elektrischen System ausgerüstet sind, befinden sich die Sicherungen im unteren Bereich des Elektrogehäuses. Die Sicherungshalter sind an der Außenseite des Elektrogehäuses angebracht. Um sie zu erreichen, muss die Gehäuseabdeckung nicht entfernt werden. Siehe Abbildung 9.

Bei Hebern, die mit einem 3-phasigen elektrischen System ausgerüstet sind, befinden sich die Sicherungen im Elektrogehäuse. Um sie zu erreichen, muss die Gehäusetür geöffnet werden. Siehe Abbildung 10.

Wenn eine Sicherung durchbrennt, kann dies auf Probleme mit der Netzspannung hindeuten. Vor dem Austausch einer durchgebrannten Sicherung stets überprüfen, ob die Netzspannung korrekt ist. Eine Sicherung kann auch durchbrennen, wenn das Netz- oder Motorfernbedienungskabel verschlissen oder beschädigt ist.

! WARNUNG: Ein verschlissenes oder beschädigtes Netz- oder Motorfernbedienungskabel muss unverzüglich ersetzt werden. Heber erst wieder nach der Reparatur in Betrieb nehmen. Bei einem Kontakt mit gebrochenen Kabeln oder freiliegenden Drähten besteht Stromschlaggefahr, was zu schweren Verletzungen und sogar zum Tod führen kann.

Wenn eine oder beide Sicherungen nach dem Austausch weiterhin durchbrennen und das Problem nicht ermittelt werden kann, muss das elektrische System des Hebers von einem von Enerpac autorisierten Servicecenter inspiziert und repariert werden.

Tabelle 9 - Informationen zum Austausch der Sicherungen

Hebermodell beginnend mit:	(Zur Lage der Sicherungen siehe Abbildung 9 und 10)	
	A Primärsicherung (Stromeingang)	B Sekundärsicherung (Stromausgang)
PREMB (115V) PREMI (230V) PREME (200V)	40mA 250V 1/4" x 1-1/4" Zeitverzögerung	300mA 250V 1/4" x 1-1/4" Zeitverzögerung
PREMG (208-240V)	1A 600V 13/32" x 1-1/2" Zeitverzögerung	4A 125V 5mm x 20mm Zeitverzögerung
PREMW (380-415V)	600mA 600V 13/32" x 1-1/2" Zeitverzögerung	4A 125V 5mm x 20mm Zeitverzögerung
PREMJ (440-480V)	500mA 600V 13/32" x 1-1/2" Zeitverzögerung	4A 125V 5mm x 20mm Zeitverzögerung
PREMR (575V)	400mA 600V 13/32" x 1-1/2" Zeitverzögerung	4A 125V 5mm x 20mm Zeitverzögerung

Hinweis: Der fünfte Buchstabe der Modellnummer ist ein B, E, I, G, W, J oder R (abhängig von der elektrischen Konfiguration des Hebers).

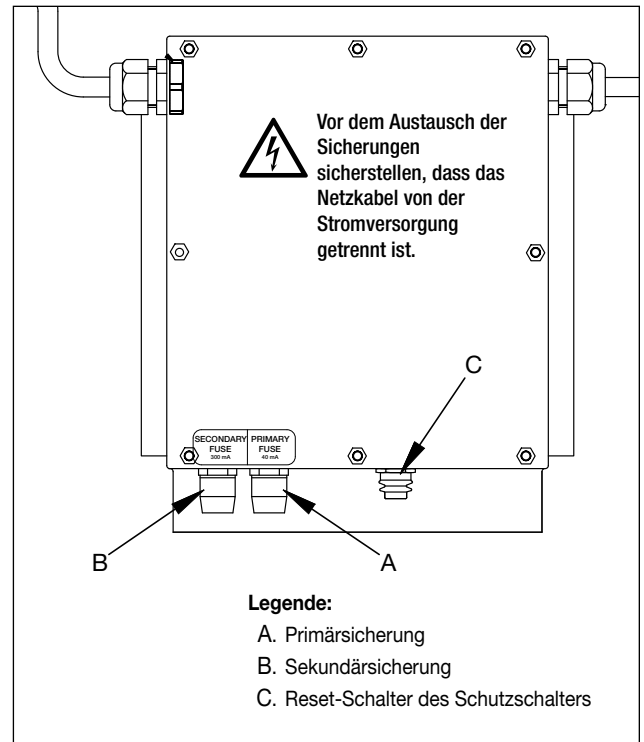


Abbildung 9: Lage der Sicherungen und des Reset-Schalters, 1-phasige Modelle

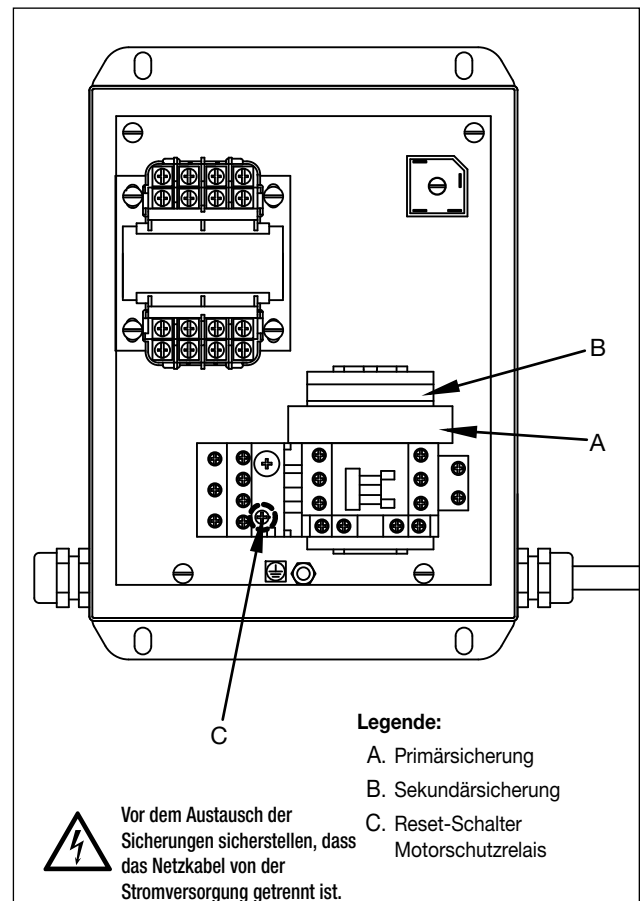


Abbildung 10: Lage der Sicherungen und des Reset-Schalters, 3-phasige Modelle

6.5 Motorschutzrelais (nur 3-phasige Modelle)



GEFAHR: Stromschlaggefahr! Selbst wenn der Motor ausgeschaltet ist, können im Inneren des Hebers hohe Spannungen auftreten. Vor dem Austausch der Sicherungen und vor dem Öffnen der Elektrogehäusetür, stets sicherstellen, dass das Netzkabel von der Stromversorgung (oder sonstigen Stromquellen) getrennt ist. Die Missachtung dieser Sicherheitsvorkehrung kann zu schweren Verletzungen und sogar zum Tod führen.

Hebermodelle, die mit einem 3-phasigen elektrischen System ausgerüstet sind, verfügen über ein rücksetzbares Motorschutzrelais. Der Reset-Schalter befindet sich an der Innenseite des Elektrogehäuses. Siehe Abbildung 10, Punkt C.

Wenn das Motorschutzrelais ausgelöst wird und die Tasten der Motorfernbedienung gedrückt sind, kann der Motor nicht starten. Das Kennzeichen (an der Frontseite des Relais) wird ebenfalls sichtbar.

Um das Motorschutzrelais zurückzusetzen, Reset-Schalter drücken und loslassen. Überprüfen, ob ein Kennzeichen erscheint. Dies zeigt an, dass das Relais zurückgesetzt wurde.

Wenn sich das Motorschutzrelais nicht zurücksetzen lässt, einige Minuten warten, bis das Relais abgekühlt ist, und dann erneut zurücksetzen.

Wenn das Motorschutzrelais bei Normalbetrieb weiterhin ausgelöst wird, muss das elektrische System des Hebers von einem von Enerpac autorisierten Servicecenter inspiziert und repariert werden.

7.0 FEHLERSUCHE

Die Informationen in dieser Anleitung zur Fehlersuche (siehe Tabelle 10) sind als Hilfe zur Diagnose und Beseitigung möglicher Probleme gedacht.

Für Reparaturservice wenden Sie sich an ein von Enerpac autorisiertes Servicecenter in Ihrer Nähe. Der Heber und dessen Komponenten dürfen ausschließlich von einem von Enerpac autorisierten Servicecenter gewartet werden.



GEFAHR: Selbst wenn der Motor ausgeschaltet ist, können im elektrischen System des Hebers hohe Spannungen auftreten. Vor dem Entfernen des Elektrogehäuses oder dem Öffnen der Elektrogehäusetür stets sicherstellen, dass das Netzkabel von der Stromversorgung oder sonstigen Stromquellen getrennt ist.



WARNUNG: Vor dem Austausch der Sicherungen stets sicherstellen, dass das Netzkabel von der Stromversorgung getrennt ist.



WARNUNG: Sämtliche Verfahren zur Fehlersuche dürfen ausschließlich von einem geschulten und qualifizierten Elektriker durchgeführt werden.



WARNUNG: Hydraulikanschlüsse unter keinen Umständen lösen oder anbringen, wenn das Hydrauliksystem des Hebers unter Druck steht.

Tabelle 10 - Anleitung zur Fehlersuche

Beschreibung	Mögliche Ursache	Lösung
1. Sporadische Zylinderaktion.	Lufteinschluss im Hydrauliksystem.	Zylinder mehrere Male auf und ab bewegen, um zu entlüften.
	Zu niedriger Ölstand im Hydraulikbehälter.	Bei Bedarf Enerpac HF-Öl nachfüllen.
	Dichtung verschlissen und/oder sonstige interne Schäden.	Hydrauliksystem von einem von Enerpac autorisierten Servicecenter überprüfen lassen. Komponenten reparieren oder ersetzen, falls erforderlich.
2. Geräusche während des Betriebs.	Lufteinschluss im Hydrauliksystem.	Zylinder mehrere Male auf und ab bewegen, um zu entlüften.
	Zu niedriger Ölstand im Hydraulikbehälter.	Bei Bedarf Enerpac HF-Öl nachfüllen.
	Luft dringt in das Hydrauliksystem ein.	Alle Stellen überprüfen, an denen Luft in das System eindringen kann.
	Verstopfter oder blockierter Ansaugkorb.	Hydraulikbehälter und Ansaugkorb von einem von Enerpac autorisierten Servicecenter durchspülen und reinigen lassen.
3. Während des Betriebs ungewöhnlich langsam.	Spannung zu niedrig.	Netzspannung überprüfen.
	Verlängerungskabel zu lang.	Kürzeres Verlängerungskabel verwenden.
	Querschnitt des Verlängerungskabels zu klein.	Verlängerungskabel mit größerem Querschnitt verwenden.
4. Öl ist überhitzt.	Zu niedriger Ölstand im Hydraulikbehälter.	Bei Bedarf Enerpac HF-Öl nachfüllen.
	Ölviskosität zu hoch oder zu niedrig.	Behälter entleeren und mit Enerpac HF-Öl wieder befüllen.
	Hochdruck-Leckage an der Pumpe.	Hydrauliksystem von einem von Enerpac autorisierten Servicecenter überprüfen lassen. Komponenten reparieren oder ersetzen, falls erforderlich.
5. Pumpe läuft, pumpt jedoch kein Öl. ODER Zylinder bewegt sich, ohne die Last anzuheben.	Dichtung verschlissen und/oder sonstige interne Schäden.	Hydrauliksystem von einem von Enerpac autorisierten Servicecenter überprüfen lassen. Komponenten reparieren oder ersetzen, falls erforderlich.
	Steuerventil muss repariert werden.	Steuerventil von einem von Enerpac autorisierten Servicecenter überprüfen lassen. Reparieren oder ersetzen, falls erforderlich.

(Fortsetzung auf nächster Seite)

Tabelle 10 - Anleitung zur Fehlersuche (Fortsetzung)

Beschreibung	Mögliche Ursache	Lösung
6. Zylinder fährt aus und nicht wieder ein.	Interne Druckleckage oder leckende Einfahrschläuche	Hydrauliksystem von einem von Enerpac autorisierten Servicecenter überprüfen lassen. Komponenten reparieren oder ersetzen, falls erforderlich.
	Einstellung des internen Entlastungsventils oder Einstellung der Einfahrseite des Entlastungsventils zu niedrig.	Hydrauliksystem von einem von Enerpac autorisierten Servicecenter überprüfen lassen. Komponenten reparieren oder ersetzen, falls erforderlich.
	Lasthalteventil, sekundäres Sperrventil oder Steuerventil defekt.	Hydrauliksystem von einem von Enerpac autorisierten Servicecenter überprüfen lassen. Komponenten reparieren oder ersetzen, falls erforderlich.
	Pumpe erzeugt nicht genug Druck.	Hydrauliksystem von einem von Enerpac autorisierten Servicecenter überprüfen lassen. Komponenten reparieren oder ersetzen, falls erforderlich.
7. Pumpe läuft nicht.	Kein Strom oder falsche Stromversorgung.	Netzspannung überprüfen.
	Schutzschalter des Hebers ausgelöst. (nur 1-phasige Modelle)	Reset-Schalter des Schutzschalters drücken (am Elektrogehäuse des Hebers).
	Motorschutzrelais des Hebers ausgelöst. (nur 3-phasige Modelle)	Reset-Schalter des Motorschutzrelais drücken (im Elektrogehäuse des Hebers).
	Primär- oder Sekundärsicherung des Transformators durchgebrannt.	Beide Sicherungen entfernen und auf Durchgang überprüfen. Wenn eine oder beide Sicherungen durchgebrannt sind, überprüfen, ob die Netzspannung des Hebers korrekt ist. Überprüfen, ob die richtigen Sicherungen mit der richtigen Stromstärke installiert sind. Siehe Tabelle 9. Hinweis: Ein beschädigtes Motorfernbedienungskabel kann ein Durchbrennen der Sekundärsicherung verursachen. Wenn eine oder beide Sicherungen nach dem Austausch weiterhin durchbrennen und das Problem nicht ermittelt werden kann, muss das elektrische System des Hebers von einem von Enerpac autorisierten Servicecenter inspiziert und repariert werden.
	Motorbürsten verschlissen. (nur 1-phasige Modelle)	Motorbürsten von einem von Enerpac autorisierten Servicecenter austauschen lassen.
	Wackelkontakte oder falsche Verdrahtung.	Elektrik von einem von Enerpac autorisierten Servicecenter überprüfen lassen.
	Motor und/oder elektrische Komponenten verschlissen oder beschädigt.	Elektrik von einem von Enerpac autorisierten Servicecenter überprüfen lassen. Komponenten reparieren oder ersetzen, falls erforderlich.
8. Pumpenmotor dreht in der falschen Richtung. (nur 3-phasige Modelle)	Falsche Verdrahtung.	Polarität umkehren.
9. Pumpenmotor läuft heiß oder löst Schutzschalter aus. (1-phasige Modelle) Pumpenmotor läuft heiß oder löst Motorschutzrelais aus. (3-phasige Modelle)	Motor verschlissen oder beschädigt.	Motor von einem von Enerpac autorisierten Servicecenter überprüfen lassen. Reparieren oder ersetzen, falls erforderlich.
	Motor läuft "1-phasig". (nur 3-phasige Modelle)	Verdrahtung korrigieren.
	Pumpenelement beschädigt, verschlissen oder blockiert.	Pumpenelement von einem von Enerpac autorisierten Servicecenter überprüfen lassen. Reparieren oder ersetzen, falls erforderlich.
10. Pumpenmotor versucht zu starten, läuft jedoch nicht.	Spannung zu niedrig.	Netzspannung überprüfen.
	Pumpenelement ist blockiert.	Pumpenelement von einem von Enerpac autorisierten Servicecenter überprüfen lassen. Komponenten reparieren oder ersetzen, falls erforderlich.
	Motor und/oder elektrische Komponenten verschlissen oder beschädigt.	Elektrik von einem von Enerpac autorisierten Servicecenter überprüfen lassen. Komponenten reparieren oder ersetzen, falls erforderlich.
11. Heber lässt sich auf den Rädern nur schwer fortbewegen.	Reifendruck zu niedrig.	Reifendruck überprüfen. Falls Reifendruck zu niedrig, Reifen aufpumpen. Der Druck sollte 6,2 bar [90 psi] betragen.
	Radlager müssen geschmiert werden.	Radlager schmieren.
	Gegenmutter des Rads nicht richtig eingestellt.	Gegenmutter lösen, bis sich das Rad frei dreht.

L3093 Rev. C 12/15

Índice:

English	1-12
Deutsch	13-24
Português Brasileiro	25-36

1.0 INSTRUÇÕES IMPORTANTES PARA O RECEBIMENTO

Inspeccione visualmente todos os componentes quanto à avarias durante o transporte. Avarias no transporte não são cobertas pela garantia. Caso haja avarias no transporte, avise a transportadora imediatamente. A transportadora é responsável por todos os custos de consertos e substituições decorrentes de avarias ocorridas no transporte.

2.0 ASSUNTOS DE SEGURANÇA

Leia cuidadosamente todas as instruções. Siga todas as precauções de segurança para evitar lesões corporais, assim como danos ao macaco e/ou a outras propriedades. A Enerpac não pode ser responsabilizada por danos ou lesões pessoais resultantes do uso indevido, falta de manutenção ou operação incorreta. Não remova os rótulos de advertência, etiquetas ou decalques. Caso surjam perguntas ou preocupações, entre em contato com a Enerpac ou com um distribuidor local da Enerpac para esclarecimentos.

Caso não tenha recebido treinamento sobre segurança na hidráulica de alta pressão, consulte seu distribuidor ou centro de serviço para um Curso gratuito da Enerpac sobre Hidráulica de Alta Pressão.

Este manual segue um sistema de símbolos de alerta de segurança, palavras de sinalização e mensagens de segurança para avisar ao usuário sobre perigos específicos. O não cumprimento destas advertências pode resultar em morte ou sérias lesões corporais, assim como danos ao equipamento ou a outras propriedades.



O Símbolo de Alerta de Segurança aparece em todo este manual. É usado para alertá-lo sobre potenciais perigos de danos físicos. Preste muita atenção aos Símbolos de Alerta de Segurança e obedeça a todas as mensagens de segurança que acompanham este símbolo para evitar a possibilidade de morte ou sérias lesões pessoais.

Os Símbolos de Alerta de Segurança são utilizados em conjunto com certas Palavras de Sinalização que chamam atenção para mensagens de segurança ou de danos materiais e designam um grau ou nível da seriedade do perigo. As Palavras de Sinalização usadas neste manual são PERIGO, ADVERTÊNCIA, PRECAUÇÃO e IMPORTANTE.

PERIGO: Indica uma situação perigosa que, se não for evitada, resultará em morte ou graves lesões corporais.

ADVERTÊNCIA: Indica uma situação perigosa que, se não for evitada, poderá resultar em morte ou graves lesões corporais.

PRECAUÇÃO: Indica uma situação perigosa que, se não for evitada, poderá resultar em lesões corporais leves ou moderadas.

IMPORTANTE: Indica informações consideradas importantes, mas não relacionadas ao perigo (por exemplo, mensagens relacionadas com danos materiais). Favor observar que os Símbolos de Alerta de Segurança não serão usados com esta palavra de sinalização.



O Símbolo de Alta Tensão indica que há alta tensão dentro de um compartimento ou dispositivo, e que existe risco de choque elétrico. Para evitar morte ou lesões corporais graves resultantes de um choque elétrico, sempre desconecte o cabo de alimentação da tomada elétrica ou outra fonte de energia antes de executar quaisquer procedimentos de inspeção, manutenção ou reparo.

1.2 Precauções de segurança - Macaco para Levantamento Pow'r Riser



ADVERTÊNCIA: O não cumprimento das seguintes precauções pode resultar em morte ou graves lesões corporais. Podem ocorrer danos materiais.

- Mantenha mãos e pés distantes do cilindro hidráulico e componentes relacionados durante a operação de levantamento.
- Use sempre equipamentos de proteção individual (EPI) quando acionar equipamento hidráulico (tais como luvas, proteção para os olhos, proteção para a cabeça, calçados de proteção etc).
- Não manuseie mangueiras pressurizadas. Sob pressão, o vazamento de óleo pode penetrar na pele, causando graves lesões corporais. Se o óleo penetrar na pele, procure um médico imediatamente.
- O macaco deve ser usado apenas para levantamento. Nunca use o macaco para empurrar ou separar objetos, ou para outros objetivos não relacionados ao levantamento.
- O macaco não deve ser usado para sustentar hidráulicamente a carga durante qualquer período de tempo depois que o levantamento tiver sido concluído. Sustente a carga com Anéis U da Enerpac (acessório opcional) ou com apoios de carga adequados imediatamente após ela ter sido levantada até a altura desejada.
- Nunca exceda a capacidade nominal do macaco. Permita uma margem de segurança que responda por possíveis condições de deslocamentos de cargas ou carregamentos laterais. A inobservância desta advertência pode causar falha do macaco.
- Nunca mexa em dispositivos de proteção contra sobrecarga. A válvula interna de alívio do macaco não deve ser consertada ou ajustada exceto por um centro autorizado de serviços. A pressão hidráulica máxima do sistema do macaco hidráulico nunca deve ultrapassar o máximo permitido para seu modelo de macaco (consulte a Tabela 1). Ajustes mais altos podem resultar em lesões corporais e/ou danos ao equipamento.
- Certifique-se de que o arranjo para o levantamento esteja estável antes de levantar a carga. Somente use o macaco em uma superfície sólida e estável, capaz de suportar a carga e a base do macaco. Centralize sempre a carga no assento para carga do macaco. Se o macaco não

estiver perpendicular em relação à carga, é possível que ocorram escorregões ou perda da carga.

- Distribua a carga uniformemente ao executar levantamentos com vários macacos. Falta de atenção a esta advertência pode causar perda da carga e/ou falha dos macacos.
- Informe-se sobre acontecimentos externos ou atos da natureza (vento, tempestades, inundações, terremotos ou outras atividades sísmicas etc.) que podem ocorrer, tanto enquanto o macaco estiver em uso, ou quando for deixado carregado e desacompanhado. Não utilize o macaco se houver possibilidade de ocorrência destas condições.



PRECAUÇÃO: O não cumprimento das seguintes precauções pode resultar em lesões corporais leves ou moderadas. Podem ocorrer danos materiais.

- Quando o macaco não estiver em uso, retraia totalmente o cilindro e proteja toda a unidade de danos externos. Mantenha o macaco limpo, evite respingos de solda e guarde-o em área limpa e seca. A inobservância destas precauções pode causar operação irregular, menor desempenho, maior desgaste e/ou danos ao macaco.
- Mantenha o macaco longe de chamas e calor. Para um desempenho ideal, não exponha o macaco a temperaturas acima de 65°C [150°F]. A inobservância destas precauções pode causar operação irregular, menor desempenho, maior desgaste e/ou danos ao macaco.
- Substitua imediatamente as peças gastas ou danificadas por peças originais da Enerpac. As peças da Enerpac são projetadas para se encaixar adequadamente e resistir a cargas altas. Peças que não sejam Enerpac podem quebrar ou causar o mau funcionamento do macaco.

IMPORTANTE:

- Pode-se instalar Anéis U da Enerpac (acessório opcional) no macaco para suportar as cargas levantadas. No entanto, os Anéis U não são destinados a fornecer suporte por longo período. Caso a carga deva ser mantida apoiada por mais de 30 dias, use dispositivos apropriadamente dimensionados para suportar a carga.
- A manutenção de equipamento hidráulico deve ser executada somente por técnico qualificado em hidráulica. Para serviços de reparo, entre em contato com o Centro Autorizado de Serviços da Enerpac em sua área.
- Para evitar danos aos componentes externos do macaco, não continue pressurizando o cilindro do macaco depois que o mesmo atinja a extensão ou retração máxima.

2.2 Instruções sobre Segurança Elétrica



PERIGO: O não cumprimento das seguintes instruções e precauções pode resultar em morte ou graves lesões corporais!

USO E CUIDADOS

- Guarde o macaco em local fechado. Mantenha-o em uma área protegida para evitar o uso por pessoas não autorizadas.
- Não limpe o macaco com um jato de água ou similares.
- Não opere o macaco com um cabo ou plugue danificado, ou após o mau funcionamento do macaco ou queda ou danos de alguma maneira. Devolva o macaco ao Centro Autorizado de Serviços da Enerpac mais próximo para exame, reparo ou ajuste elétrico ou mecânico.

DESCONEXÃO DA ENERGIA

- Certifique-se de que o motor esteja desligado antes de retirar o plugue da tomada elétrica.
- Não tire o macaco da corrente elétrica puxando o cabo. Para tirar da tomada, segure o plugue e não o cabo.
- Remova o plugue da tomada elétrica quando o macaco não estiver em uso e antes de manutenção ou limpeza do macaco.



PERIGO: Há alta tensão presente no interior do macaco, mesmo quando o motor estiver desligado. Antes de retirar a tampa do compartimento elétrico ou de abrir a porta do compartimento elétrico, certifique-se de que o cabo de alimentação do macaco esteja desconectado da tomada elétrica ou de outra fonte de energia elétrica.

INSTRUÇÕES DE ATERRAMENTO



PERIGO: Risco de choque elétrico! Conecte o macaco somente em uma tomada devidamente aterrada.

O macaco deve ser ligado à terra. Em caso de mau funcionamento ou avaria, a ligação à terra proporciona um caminho de menor resistência para a corrente elétrica reduzindo assim o risco de choque elétrico. O macaco é equipado com um cabo que tem um condutor de aterramento do equipamento.

Um plugue de aterramento é fornecido com o cabo em modelos monofásicos. Apenas em modelos trifásicos, um plugue de aterramento (fornecido pelo cliente) do tipo adequado deve ser instalado por um eletricitista qualificado. O plugue deve ser conectado em uma tomada adequada que esteja devidamente instalada e aterrada de acordo com todos os códigos e regulamentos locais.



PERIGO: A ligação inadequada do condutor de aterramento do macaco pode resultar em risco de choque elétrico. O condutor com isolamento que tem uma superfície externa verde, com ou sem riscas amarelas, é o condutor de aterramento do macaco.

- Se o cabo e/ou plugue estiver danificado, não conecte o macaco em uma tomada elétrica com corrente. Conserte ou substitua os itens danificados, conforme necessário, e certifique-se de que o condutor de aterramento esteja devidamente instalado antes de reconectar o macaco na tomada. Consulte um eletricitista qualificado se os procedimentos de instalação elétrica do condutor de aterramento não tiverem sido totalmente compreendidos, ou em caso de dúvida se o macaco está corretamente aterrado.

INSTRUÇÕES DE ATERRAMENTO (CONTINUAÇÃO)

- Modelos começando com PREMB, PREMI e PREME: Não modifique o plugue fornecido com o macaco. Se o plugue não encaixar na tomada, peça a um eletricitista qualificado para instalar a tomada apropriada.
- Deve-se consultar um eletricitista qualificado se houver qualquer dúvida se uma caixa de tomadas está adequadamente aterrada.
- Todos os modelos de macaco começando com PREME e PREMI: O macaco é para uso em um circuito monofásico com uma classificação nominal de mais de 120 volts, e é equipado de fábrica com um cabo elétrico e plugue específicos. Nenhum adaptador deve ser utilizado com este plugue.
- Todos os modelos de macaco começando com PREMG, PREM, PREMJ, PREMR ou PREMW: O macaco é para uso em um circuito trifásico com uma classificação nominal de mais de 120 volts. Um eletricitista qualificado deve obter, instalar e conectar o plugue correto para os requisitos de energia especificados do macaco. Nenhum adaptador deve ser utilizado com este plugue.
- Se o macaco tiver que ser reconectado para uso em um tipo diferente de circuito elétrico, a reconexão deve ser feita por um eletricitista qualificado. Após a reconexão, o macaco deve cumprir todos os códigos e regulamentos locais.

USO DE CABOS DE EXTENSÃO

É importante usar o cabo de extensão de tamanho adequado com o cabo de alimentação do macaco quando o uso de um cabo de extensão for necessário. Um eletricitista qualificado deve ser consultado para ajudar a especificar e selecionar o cabo de extensão de tamanho adequado.



PERIGO: Risco de choque elétrico! Conecte o macaco somente em uma tomada devidamente aterrada.

Se um cabo da extensão for usado:

- 1) A classificação elétrica marcada no cabo de extensão deve ser pelo menos a mesma classificação elétrica do macaco.
- 2) O cabo de extensão deve ser um cabo condutor com 3 tipos de aterramento para energia monofásica ou um cabo condutor com 4 tipos de aterramento para energia trifásica.
- 3) Um longo cabo de extensão deve ser providenciado de modo que não fique pendurado em qualquer área de trabalho onde não se tropece nele, esbarre, ou puxe sem querer.

Se o macaco for operado ao ar livre e um cabo de extensão for necessário, use apenas um cabo de extensão para uso ao ar livre. Um cabo de extensão para uso ao ar livre estará claramente marcado com a letra de sufixo "W" e a indicação "Adequado para Uso com Aparelhos ao Ar Livre".

3.0 DADOS DO PRODUTO

Tabela 1 - Especificações gerais					
Pressão máxima de operação	Modelo	psi	bar		
	PREM_060__L	6.000	414		
	PREM_100__L	9.700	669		
	PREM_150__L	10.200	703		
	PREM_200__L	10.200	703		
Capacidade de carga nominal	Modelo	Toneladas Americanas	Toneladas métricas	kN	
	PREM_060__L	60	54	533	
	PREM_100__L	100	90	889	
	PREM_150__L	150	136	1333	
	PREM_200__L	200	181	1778	
Tipo de óleo hidráulico	Enerpac HF (consulte a Tabela 8 para as especificações de óleo)				
Temperatura máxima óleo hidráulico	76 °C [170 °C]				
Capacidade do Reservatório de Óleo Hidráulico (aproximada - quando cheio até o nível adequado)	15,9 litros [4,2 galões]				
Requisitos de energia elétrica	Número do Modelo Começando com:	Volts AC	Hz	Fase	Máximo consumo de corrente (amperes)
	PREMB	115	50-60	1	17,0
	PREMI (Plugue norte-americano)	230	50-60	1	9,0
	PREME (Plugue europeu)	230	50-60	1	9,0
	PREMG	208-240	50-60	3	8,0
	PREMW	380-415	50-60	3	4,8
	PREMJ	440-480	50-60	3	4,0
	PREMR	575	50-60	3	3,2

Tabela 2 - Comprimentos de Curso e Pesos									
Modelos de Curso Curto	Duração do Curso		Peso		Modelos de Curso Longo	Duração do Curso		Peso	
	polegadas	mm	Libras	kg		polegadas	mm	Libras	kg
PREM_06014L	14	356	390	177	PREM_06027L	27	686	600	272
PREM_10016L	16	406	510	231	PREM_10027L	27	686	600	272
PREM_15016L	15,5	394	570	258	PREM_15027L	26,5	673	708	321
PREM_20016L	15,5	394	639	290	PREM_20027L	26,5	673	825	374

Notas: Os pesos mostrados acima são aproximados. Consulte o catálogo da Enerpac para as dimensões externas de produtos. A quinta letra do número do modelo será B, E, I, G, W, J ou R (varia dependendo da configuração elétrica do macaco).

PRECAUÇÕES ADICIONAIS



ADVERTÊNCIA: Não use bombas elétricas em atmosferas explosivas. Faíscas e arcs elétricos podem inflamar vapores combustíveis ou poeira transportada por via aérea.

IMPORTANTE: Para evitar danos ao motor elétrico do macaco, verifique as especificações de energia no macaco ou na placa de dados do motor. O uso de uma tomada incorreta pode danificar o motor.

Legenda:

1. Alavanca de travamento da manivela
2. Conjunto da manivela
3. Barra de levantamento*
4. Cabo de alimentação
5. Válvula de controle
6. Botoeira
7. Motor elétrico
8. Respiro de ar do reservatório
9. Compartimento Elétrico, Monofásico (com proteção)
10. Disjuntor
11. Bujão de abastecimento de óleo
12. Filtro de óleo
13. Cilindro hidráulico
14. Reservatório hidráulico
15. Bujão de drenagem de óleo
17. Olhal de levantamento*
18. Mancal de roda graxeira
19. Válvula do ar do pneu
20. Suporte de armazenamento para anéis U
21. Fusíveis elétricos

*Não encontrado em todos os modelos.

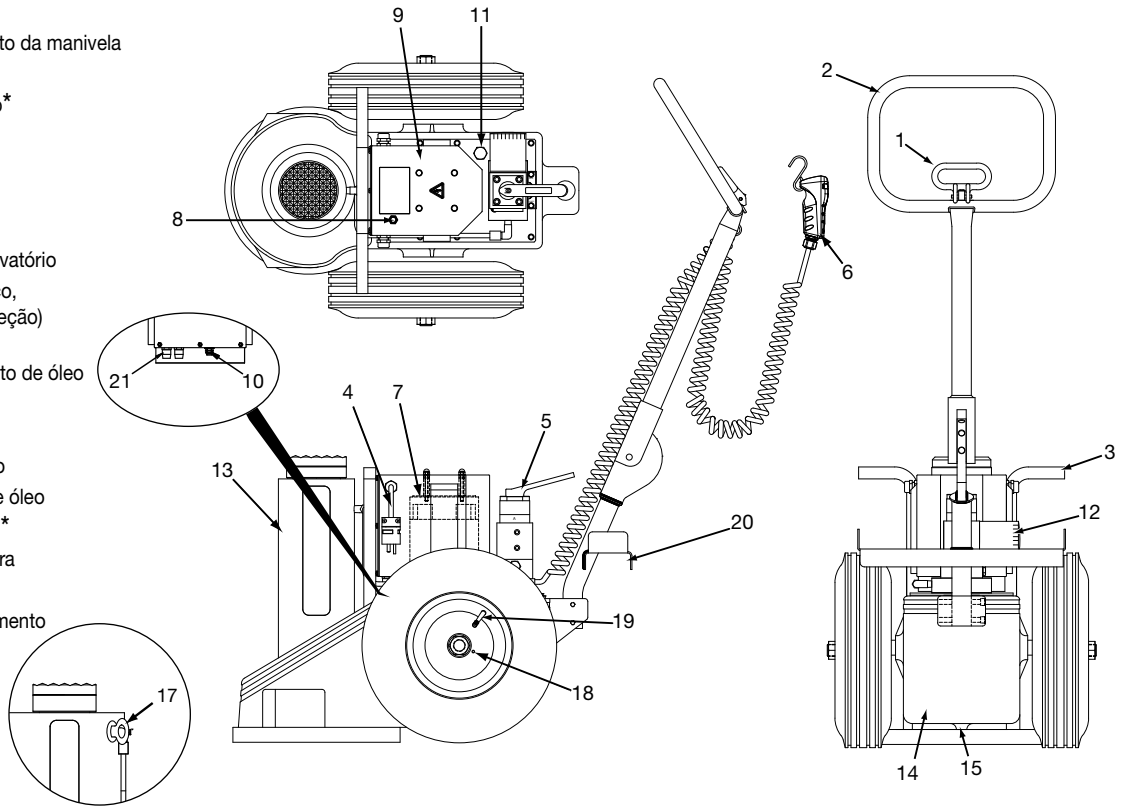


Figura 1, Principais Características e Componentes – Séries PREMB, PREME e PREMI (energia monofásica)

Legenda:

1. Alavanca de travamento da manivela
2. Conjunto da manivela
3. Barra de levantamento*
4. Cabo de alimentação**
5. Válvula de controle
6. Botoeira
7. Motor elétrico
8. Respiro de ar do reservatório
11. Bujão de abastecimento de óleo
12. Filtro de óleo
13. Cilindro hidráulico
14. Reservatório hidráulico
15. Bujão de drenagem de óleo
16. Compartimento Elétrico, trifásico
17. Olhal de levantamento*
18. Mancal de roda graxeira
19. Válvula do ar do pneu
20. Suporte de armazenamento para anéis U
21. Fusíveis elétricos***
22. Relé de Sobrecarga do Motor***
23. Seta de direção do motor

*Não encontrado em todos os modelos.

**Plugue de alimentação não incluída (fornecida pelo cliente).

***Localizado dentro do item n° 16.

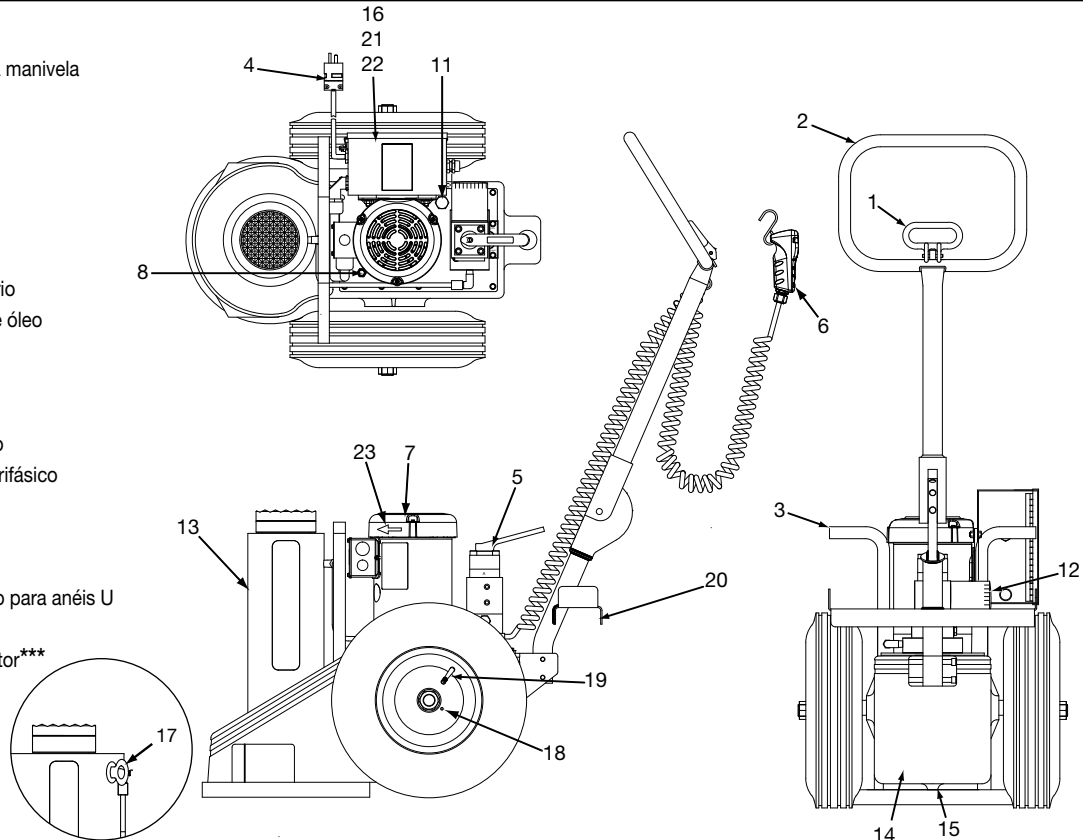


Figura 2, Principais Características e Componentes – Séries PREMG, PREMJ, PREMR e PREMW (energia trifásica)

4.0 INSTALAÇÃO INICIAL

4.1 Adicionar óleo

Antes de dar partida, remova o bujão de abastecimento de óleo (veja as figuras 1 e 2, item nº 11) e verifique o nível de óleo. O nível do óleo deve estar cerca de 25 mm [1 pol.] abaixo do topo do reservatório. Adicione óleo hidráulico Enerpac HF no reservatório, se necessário. Consulte a Seção 6.1 para informações adicionais.

4.2 Requisitos de energia elétrica

Certifique-se de que a tomada é a correta para seu modelo de macaco. Consulte a placa de dados do macaco para obter os requisitos de tensão e de fase.

A desconexão elétrica e a proteção de linha do circuito devem ser fornecidas pelo cliente. A proteção de linha do circuito deve ser 115% da potência nominal da corrente para carga completa do motor.

Em modelos monofásicos, um cabo de alimentação e um plugue do tipo correto para a tensão de linha especificado no momento do pedido serão incluídos



ADVERTÊNCIA: A alteração do tipo de plugue só deve ser feita por um electricista qualificado, aderindo a todos os códigos locais e nacionais aplicáveis.

Em modelos trifásicos, o cabo de alimentação é fornecido *sem* plugue. Um electricista qualificado deve instalar e conectar o plugue correto que seja compatível com os requisitos de energia especificados do macaco. A instalação e a fiação do plugue devem estar em conformidade com todos os códigos e regulamentos aplicáveis.

4.3 Uso do Macaco pela Primeira Vez

Nota: Veja as figuras 1 e 2 para os itens entre parênteses (. . .).

1. Certifique-se de que a alavanca de válvula de controle (item nº 5) esteja na posição central (neutra/espera).
2. Conecte o cabo de alimentação do macaco em uma tomada elétrica.
3. Apenas em três modelos trifásicos, pressione e solte a botoeira enquanto observa a rotação do ventilador do motor. Verifique se ventilador gira na mesma direção da seta (item nº 23) na parte superior da carcaça do motor.

Nota: Execute os passos seguintes com o cilindro sem carga. Consulte a Seção 5.0 para instruções detalhadas sobre a operação do macaco.

4. Verifique o funcionamento adequado estendendo e retraindo totalmente o cilindro (item nº 13). Use a alavanca na válvula de controle (item nº 5) e a botoeira (item 6) para controlar o movimento do cilindro. Para remover o ar do sistema, gire o cilindro, conforme necessário, até que operação seja uniforme.

4.4 Uso do Conjunto da Manivela para Posicionar o Macaco

Nota: Veja as figuras 1 e 2 para os itens entre parênteses (. . .).

1. Empurre a alavanca de travamento da manivela (item nº 1) para liberar o pino de travamento.
2. Com o pino de travamento liberado, posicione o conjunto da manivela (item nº 2) até o local desejado e solte a alavanca de travamento da manivela (item nº 1) para encaixar o pino de travamento.
3. Agora é possível inclinar o macaco de volta sobre as rodas e empurrá-lo ou puxá-lo para a área de trabalho. Tenha cuidado ao andar para trás.
4. Se necessário, o macaco pode ser levantado usando a barra de levantamento (item nº 3 - se equipado) ou o(s) olhal(ais) de levantamento (item nº 17 - se equipado).

Nota: Barras de levantamento estão instaladas nos modelos de curso curto das Séries PREM_060, PREM_100 e PREM_150. Barras de levantamento não são usadas em quaisquer modelos de curso longo ou no modelo de curso curto PREM_20016L.

Todos os modelos de curso longo são equipados com *um* olhal de levantamento. O modelo de curso curto PREM_20016L é equipado com *dois* olhais de levantamento. Não há olhais de levantamento nos modelos de curso curto das Séries PREM_060, PREM_100 e PREM_150.



ADVERTÊNCIA: Levante o macaco usando apenas o(s) olhal(ais) de levantamento ou a barra de levantamento. Nunca tente levantar o macaco usando o conjunto da manivela. O conjunto da manivela deve ser usado apenas para rolar o macaco sobre suas rodas e para posicioná-lo sob o ponto de elevação.

5. Usando o conjunto da manivela, ajuste a posição do macaco de modo que o assento da haste do cilindro fique centrado sob o ponto de levantamento da carga.



ADVERTÊNCIA: Certifique-se de que o macaco esteja posicionado em superfície sólida e nivelada, com o cilindro de levantamento perpendicular ao solo. O levantamento em um ângulo pode fazer com que o macaco escorregue de sua posição, resultando em possível perda da carga. Conforme necessário, use um assento oscilante para a carga se acomodar adequadamente sobre os pontos de levantamento em ângulo. Consulte a Seção 5.7 para informações adicionais.

5.0 OPERAÇÃO

5.1 Válvula de Controle (Veja a Figura 3)

O fluxo hidráulico para o cilindro de elevação é controlado por uma válvula manual de 4 vias e 3 posições.

- Mova a alavanca para a posição de extensão para levantar a carga.
- Mova a alavanca para a posição de retração para abaixar a carga.
- Mova a alavanca para a posição central (neutra/espera) imediatamente depois que o levantamento ou abaixamento for concluído.

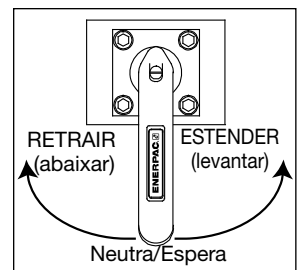


Figura 3, válvula de controle

Nota: A posição neutra/espera é também referida como posição "inativa".

5.2 Botoeira (Veja a Figura 4)

O motor da bomba é controlado por um único botão de pressão montado na botoeira.

Botão pressionado:

O motor começa a funcionar. A pressão do sistema acumula e o cilindro move enquanto botão for pressionado ou até que o cilindro chegue ao fim do curso.

Botão liberado:

O motor para. O cilindro para de mover e válvula de retenção segura a carga.

Nota: se o cilindro não começar a mover quando o motor for iniciado, verifique se a alavanca da válvula de controle está na posição de retração ou de extensão.

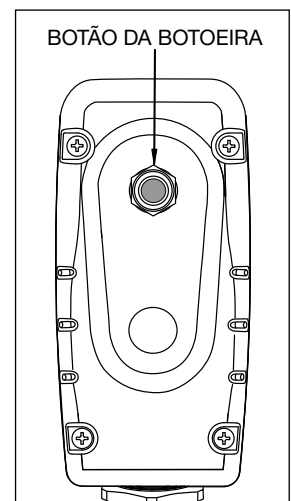


Figura 4, botoeira

5.3 Disjuntor

Um disjuntor reajustável é usado em todos os modelos de macacos equipados com um sistema elétrico monofásico. Isso inclui números de modelo de macaco começando com PREMB, PREME e PREMI. O botão reset do disjuntor é montado sobre a superfície inferior do compartimento elétrico do macaco. Veja a Figura 1, item 10 para a localização.

Em caso de consumo excessivo de corrente, o disjuntor desarmará. Depois de determinar e corrigir a fonte da sobrecarga, pressione o botão reset do disjuntor.

Nota: Os macacos equipados com um sistema elétrico trifásico não têm nenhum botão de disjuntor. Essas unidades usam um relé reconfigurável de sobrecarga do motor que é montado dentro do compartimento elétrico do macaco. Consulte a Seção 6.5 para informações adicionais.

5.4 Levantando com Segurança

Você deve saber o peso do que pretende levantar e escolher um macaco com **pelo menos 20 por cento** de capacidade adicional.

Todas as pessoas que acionarem o macaco devem obter e estarem familiarizadas com as regras do *American National Standards Institute* (Instituto Nacional Americano de Padrões) que se aplicam aos cilindros e macacos hidráulicos (ASME ANSI B30.1) ou padrões equivalentes usados em seu país ou região.



ADVERTÊNCIA: Jamais, em momento algum, coloque qualquer parte de seu corpo sob a carga enquanto ela estiver sendo elevada, descida ou hidráulicamente sustentada pelo macaco Pow'r-Riser.



ADVERTÊNCIA: O macaco Pow'r-Riser não deve ser usado para sustentar hidráulicamente a carga durante qualquer período de tempo depois que o levantamento tiver sido concluído. Sustente a carga com Anéis U da Enerpac (acessório opcional) ou com apoios de carga adequados imediatamente após ela ter sido levantada até a altura desejada.



ADVERTÊNCIA: Nunca deixe o macaco Pow'r-Riser desacompanhado durante a operação, mesmo que por um breve período de tempo. Sempre acompanhe de perto a operação do macaco e esteja preparado para interromper imediatamente o movimento de levantar ou abaixar.



ADVERTÊNCIA: Não use o macaco Pow'r-Riser ao ar livre em condições de vento. Mudanças na direção do vento ou velocidade podem fazer com que a carga se torne instável ou caia.

5.5 Instruções Operacionais (Veja as Figuras 3, 4 e 5)

PARA LEVANTAR A CARGA:

1. Certifique-se de que o macaco esteja numa superfície sólida e nivelada, capaz de suportar a carga e a base do macaco. Certifique-se de que o cilindro de levantamento esteja perpendicular ao chão. Consulte a Seção 4.4 para instruções sobre o posicionamento do macaco.
2. Se um ponto de levantamento mais alto necessita de um macaco mais alto, instale extensões e espaçadores (acessórios opcionais) no cilindro, conforme exigido. Consulte a Seção 5.6 para obter instruções de instalação e informações adicionais sobre extensões e espaçadores.
3. Coloque uma peça de madeira compensada de boa qualidade ou outro material de compressão de (aproximadamente 6,3 mm [1/4 pol.] de espessura com características de alto atrito) entre o assento da haste do cilindro e o ponto de levantamento. Isso proporcionará um pequeno volume de amortecimento e também ajudará a evitar danos no ponto de levantamento.
4. Para levantar a carga, mova a alavanca da válvula de controle para a posição de extensão. Em seguida, pressione a botoeira para dar partida no motor e avançar o cilindro.



PRECAUÇÃO: Quando levantar com mais de um macaco, seja especialmente cuidadoso para manter o nível da carga. O nivelamento é melhor realizado iniciando e parando alternadamente os macacos para manter a carga suficientemente nivelada de modo que permaneça estável.

5. Quando a carga chegar a altura desejada, solte a botoeira e mova a alavanca da válvula de controle para a posição central (neutra/espera).
6. Tenha certeza de que adequados Anéis U da Enerpac estejam instalados no cilindro (consulte a Seção 5.8 para a instalação do Anel U e para obter instruções de empilhamento). Se Anéis U não forem usados, certifique-se de que outros apoios de carga de capacidade de carga adequada estejam no lugar.
7. Mova a alavanca da válvula de controle para a posição de retração. Pressione a botoeira e deixe a carga abaixar até que seja suportada pelos Anéis U ou pelos suportes de carga. Em seguida, retorne a alavanca para a posição central (neutra/espera).



ADVERTÊNCIA: Após concluir o levantamento, sempre sustente a carga usando adequados Anéis U da Enerpac e apoios de carga adequadamente avaliados. Nunca confie na pressão hidráulica do cilindro para sustentar a carga levantada.



ADVERTÊNCIA: Espere um período tempo adequado antes de trabalhar sob a carga depois que ela for sustentada por Anéis U ou por apoios de carga. Qualquer ajuste da base do macaco ou dos apoios de carga no solo não deve exceder 6,4 mm [1/4 pol.]. Se ocorrer ajuste adicional, reposicione o macaco ou os apoios de carga em terra firme.

PARA ABAIXAR A CARGA:

1. Mova a alavanca da válvula de controle para a posição de avanço.
2. Pressione a botoeira e deixe que o cilindro avance um pouco de modo que a carga se desprenda dos Anéis U ou os suportes de carga sejam removidos. Em seguida, coloque a alavanca da válvula de controle na posição central (neutra/espera).
3. Depois de retirar os Anéis U ou os apoios de carga, mova a alavanca de válvula de controle para a posição de retração. Pressione a botoeira para retrair o cilindro.



PRECAUÇÃO: Seja cuidadoso ao abaixar para garantir que a carga desça uniformemente, de modo que não ocorra o deslocamento da carga.

4. Quando a carga tiver sido totalmente abaixada, coloque a alavanca da válvula de controle na posição central (neutra/espera).

DEPOIS DE COMPLETAR O TRABALHO:

Retraia totalmente o cilindro. Desconecte o cabo de alimentação da tomada elétrica.

Remova quaisquer extensões ou espaçadores do cilindro. Coloque Anéis U (se utilizados) nos suportes de armazenamento fornecidas no macaco.

Guarde sempre o macaco e seus acessórios em uma área limpa e seca, livre de umidade e luz direta do sol.

5.6 Instruções para Empilhamento - Extensões e Espaçadores (Veja a Figura 5)

Extensões e espaçadores estão disponíveis como acessórios opcionais em seu distribuidor autorizado Enerpac. Podem ser encomendados individualmente ou em jogos. Consulte as tabelas 3 e 4 para obter informações adicionais.

As extensões da Série PRE permitem que a altura útil de levantamento do macaco seja aumentada em incrementos de 127, 178, 229 ou 279 mm [5, 7, 9 ou 11 inches]. Apenas os modelos de curso curto do Pow'r-Riser também podem ser usadas, permitindo que a altura útil de levantamento seja aumentada em incrementos de 356 ou 457 mm [14 ou 18 polegadas].

Tabela 3 - extensões da série PRE (acessórios opcionais)

Modelo Extensão	Espessura (cada)	
	polegadas	mm
PRE5	5	127
PRE7	7	178
PRE9	9	229
PRE11	11	279
PRE14*	14	356
PRE18*	18	457
Conjunto de Extensões PRES6024	Inclui PRE5, PRE7, PRE11 e PRE18 (1 de cada).	

* Para uso somente em macacos de curso curto (modelos terminados em "14L" ou "16L")

Espaçadores da Série PRS permitem ajuste fino adicional da altura da pilha de extensão. Podem ser usados individualmente ou em conjunto com extensões da Série PRE.

Modelo de Espaçadores	Espessura (cada)	
	polegadas	mm
PRS1	1	25
PRS2	2	51
PRS3	3	76
Conjunto de espaçadores PRS4	O conjunto inclui PRS1, PRS2 e PRS3 (1 de cada).	



ADVERTÊNCIA: Nunca exceda a altura máxima adicional da pilha de seu modelo de macaco. Consulte a Tabela 5 para informações adicionais.



ADVERTÊNCIA: Deixar de observar as seguintes instruções pode fazer com que a carga se desloque ou caia. Isso pode resultar graves lesões corporais e/ou danos materiais.

Ao usar extensões da Série PRE e/ou espaçadores da Série PRS, sempre obedeça as seguintes regras:

- Para cargas de até 54 toneladas métricas [60 toneladas]: Qualquer das duas extensões da Série PRE pode ser incluída na disposição de empilhamento, desde que a altura máxima da pilha (Veja a Tabela 5) não seja excedida e as seguintes exceções sejam observadas:

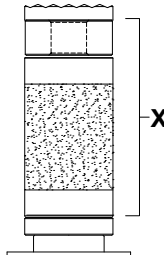
1) Modelos de macaco PREMB06014L, PREMI06014L e PREME06014L: Apenas *uma* extensão PRE18 pode ser incluída na disposição de empilhamento.

2) Todos os modelos de macaco terminados em "16L": Apenas *uma* extensão PRE11, PRE14 ou PRE18 pode ser incluída na disposição de empilhamento.

3) Todos os modelos de macaco terminados em "27L": Extensões PRE14 e PRE18 não podem ser incluídas na disposição de empilhamento. Essas extensões são concebidas apenas para macacos de curso curto (modelos terminados em "14L" e "16L").

- Para cargas acima de 54 toneladas métricas [60 toneladas], ou cursos acima de 356 mm [14 polegadas]: Apenas *uma* extensão da Série PRE e *um* espaçador da Série PRS podem ser incluídos na disposição de empilhamento.
- Nunca exceda 76 mm [3 polegadas] na altura total do espaçador.
- Nunca exceda a altura máxima adicional da pilha de seu modelo de macaco. Consulte a tabela 5, dimensão "X".

Modelo do macaco	Altura Máxima Adicional da Pilha (dimensão "X")	
	polegadas	mm
PREM_06014L	32	813
PREM_06027L	11	279
PREM_10016L	21	533
PREM_10027L	11	279
PREM_15016L	21	533
PREM_15027L	11	279
PREM_20016L	21	533
PREM_20027L	11	279



Nota: A quinta letra do modelo será B, E, I, G, W, J ou R, dependendo da configuração elétrica do macaco.

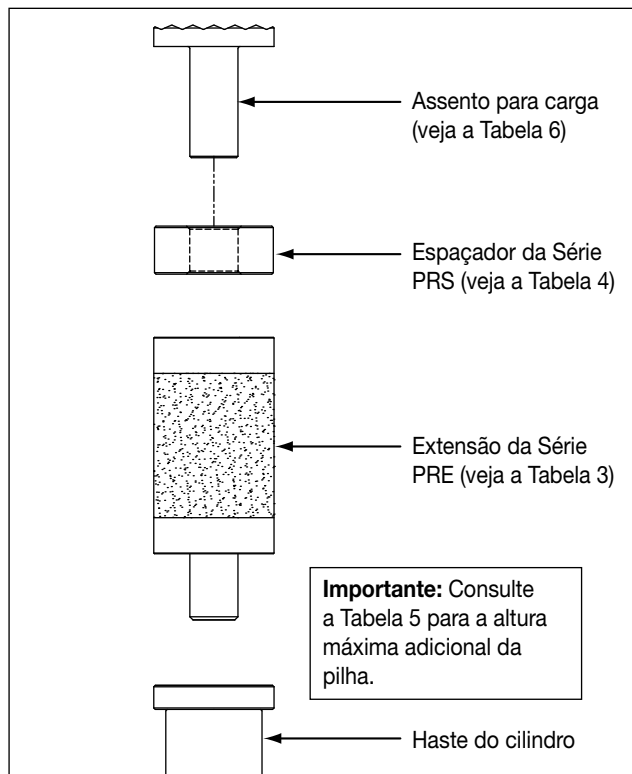


Figura 5, instalação da extensão e do espaçador (típico)

5.7 Assentos para Carga

Um assento não-oscilante para carga está incluído com o macaco como equipamento padrão. Um assento oscilante para carga encontra-se disponível como acessório opcional. Consulte a Tabela 6 para uma lista com os números dos modelos de assentos para carga.

IMPORTANTE: Use um assento oscilante para carga para acomodar adequadamente os pontos angulares de levantamento. Um assento oscilante para carga deve sempre ser usado quando o montante de desalinhamento entre o assento padrão para carga e o ponto de levantamento for muito grande para ser compensado somente com o uso de madeira compensada ou outro material de compressão de alto atrito adequado.

Modelo do macaco	Números de modelos de assentos para carga	
	Assento não-oscilante para carga (padrão)	Assento oscilante para carga (acessório opcional)
PREM_06014L	42208E	PRTS60
PREM_06027L		
PREM_10016L	42208E	PRTS60
PREM_10027L		
PREM_15016L	42208E	PRTS150
PREM_15027L		
PREM_20016L	42208E	PRTS200
PREM_20027L		

Nota: A quinta letra do modelo será B, E, I, G, W, J ou R, dependendo da configuração elétrica do macaco.

Tabela 7 - Informações sobre Anéis U

Modelo do macaco	Número do Modelo e Tamanho do Anel U					Número do modelo do conjunto Anéis U	Itens incluídos em cada conjunto de Anéis U				
	25 mm [1 pol.]	76 mm [3 pol.]	114 mm [4-1/2 pol.]	140 mm [5-1/2 pol.]	254 mm [10 pol.]		2x	1x	2x	1x	4x
PREM_06014L	PRU11	PRU13	PRU14	-	-	PRUS126	PRU11	PRU13	PRU14	-	-
PREM_06027L	PRU11	PRU13	PRU14	-	PRU110	PRUS137	PRU11	PRU13	PRU14	PRU110	-
PREM_10016L	PRU11	PRU13	PRU14	-	-	PRUS126	PRU11	PRU13	PRU14	-	-
PREM_10027L	PRU11	PRU13	PRU14	-	PRU110	PRUS137	PRU11	PRU13	PRU14	PRU110	-
PREM_15016L	PRU151	PRU153	-	PRU155	-	PRUS1526	PRU151	PRU153	PRU155	-	-
PREM_15027L	PRU151	PRU153	-	PRU155	PRU1510	PRUS1537	PRU151	PRU153	PRU155	PRU1510	-
PREM_20016L	PRU201	PRU203	-	PRU205	-	PRUS2026	PRU201	PRU203	PRU205	-	-
PREM_20027L	PRU201	PRU203	-	PRU205	-	PRUS2037	PRU201	PRU203	-	-	PRU205

Nota: A quinta letra do modelo será B, E, I, G, W, J ou R, dependendo da configuração elétrica do macaco.

5.8 Instruções para Empilhamento de Anéis U (Veja a Figura 6)

Os Anéis U do Pow'r-Riser (acessórios opcionais) permitem a sustentação mecânica positiva da carga de uma carga elevada. Os Anéis U são colocados na parte superior da carcaça do cilindro e ao redor da haste estendida do cilindro. Encontram-se disponíveis em cinco diferentes comprimentos para cada modelo do Pow'r-Riser.

Para ajudar a garantir o alinhamento e instalação corretos, a superfície superior da carcaça do cilindro e a superfície superior de cada Anel U contém um localizador levantado. A superfície inferior de cada Anel U contém um rebaixo correspondente.

Os Anéis U são feitos em aço e alumínio. Um Anel U de aço deve ser sempre posicionado nas extremidades superior e inferior da pilha de Anéis U. Os Anéis U de alumínio devem sempre ficar no meio da pilha, entre os dois Anéis U de aço. Essa disposição de empilhamento ajuda a evitar danos aos Anéis U de alumínio.



PRECAUÇÃO: Nunca posicione um anel U de alumínio na extremidade superior ou inferior da pilha de Anéis U.

Instale os Anéis U como descrito nos passos a seguir:

1. Usando o macaco, eleve a carga para a altura de levantamento desejada. Consulte as instruções na Seção 5.5 deste manual.
2. Coloque um Anel U de aço na parte superior da carcaça do cilindro, em torno da haste estendida do cilindro.
3. Conforme necessário, coloque um ou mais Anéis U de alumínio em cima do Anel U de aço, em torno da haste estendida do cilindro. A quantidade de Anéis U de alumínio a serem instalados variará dependendo do modelo do macaco, altura de elevação e do conjunto de Anéis U sendo usado. Consulte a Tabela 7 para obter informações adicionais.
4. Coloque um segundo Anel U de aço na parte superior da pilha de Anéis U.

IMPORTANTE: Certifique-se de que a seta em cada Anel U esteja apontando para cima. Certifique-se de que todos os localizadores estejam totalmente encaixados nos correspondentes rebaixos dos Anéis U.



ADVERTÊNCIA: Perigo de ponto de aperto: Na etapa seguinte, mantenha as mãos e os dedos afastados da área entre o anel de apoio de carga e a parte superior da pilha de Anéis U.

5. Abaixar lentamente a haste do cilindro até que o peso da carga seja suportado pelos Anéis U. Consulte as informações na Seção 5.5 para obter instruções operacionais do macaco.

IMPORTANTE: Siga todas as regras de trabalho aplicáveis e regulamentos em vigor em seu local de trabalho ou instalações. O uso de plataformas

auxiliares, barreiras ou outros apoios de carga adicionais pode ser necessário, mesmo com Anéis U instalados.

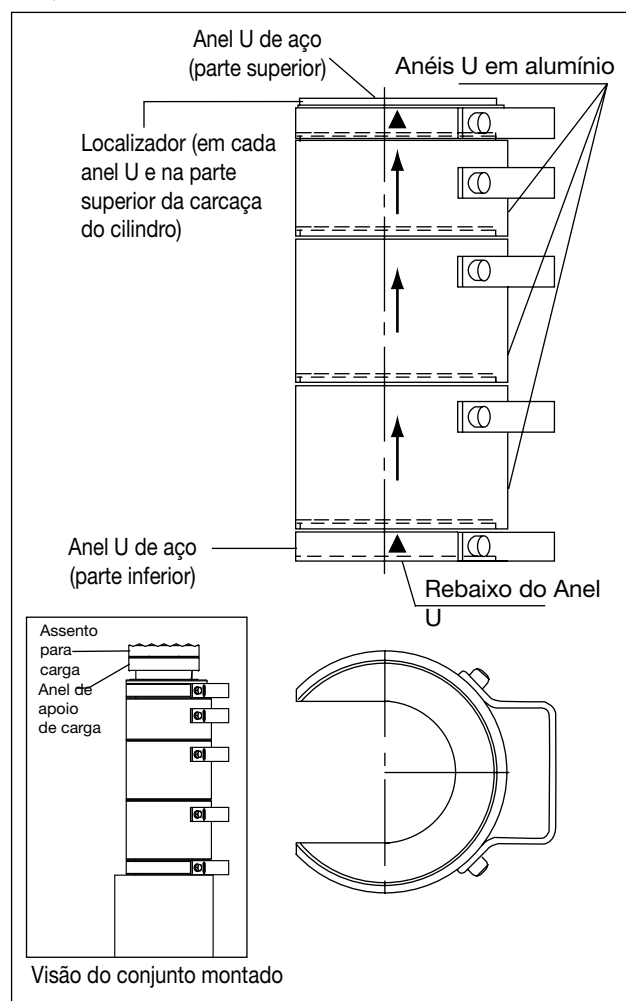


Figura 6, Disposição de Empilhamento de Anéis U (típico)

6.0 MANUTENÇÃO

6.1 Mantenha o nível de óleo no Reservatório Hidráulico

Verifique o nível do óleo hidráulico a cada 30 dias. O nível de óleo deve estar aproximadamente 25 mm [1 pol.] abaixo do topo do reservatório, com o cilindro totalmente retraído e o motor desligado.

Se o nível de óleo estiver baixo, adicione óleo hidráulico Enerpac HF, conforme necessário. Se o Enerpac HF não estiver disponível no local de trabalho, use um óleo hidráulico equivalente que esteja de acordo com as especificações indicadas na tabela 8.

Tabela 8 - Especificações do óleo	
Grau ISO	32
Índice de Viscosidade	100 min
Viscosidade a 210 °F	42-45 S.U.S.
Viscosidade a 100 °F	150-165 S.U.S.
Viscosidade a 0 °F	<12000 S.U.S.
Gravidade API	31.0-33.0
Fulgor C.O.C. °F	400
Ponto de fluidez, °F	-35
Cor da base parafínica	Azul

IMPORTANTE: A não utilização do óleo adequado pode resultar em danos aos componentes hidráulicos do macaco e anulará a garantia do produto. Recomenda-se com veemência o uso do óleo hidráulico Enerpac HF.

IMPORTANTE: Certifique-se de que o óleo esteja limpo. Se o óleo tiver uma aparência leitosa, turva ou escura, deve ser trocado imediatamente conforme descrito na Seção 6.2.

6.2 Troca de Óleo (Veja a Figura 7)

Troque o óleo pelo menos uma vez a cada 12 meses.

Nota: As seguintes condições exigirão trocas de óleo mais frequentes:

- Serviço exigente, onde a temperatura do óleo pode alcançar 60 °C [150 °F].
- Um ambiente de grande umidade e/ou mudanças extremas na temperatura que podem resultar em condensação dentro do reservatório.
- Ambientes sujos ou empoeirados que possam contaminar o óleo.

Troque o óleo conforme descrito nos passos seguintes:

1. Certifique-se de que o cilindro esteja totalmente retraído e que o cabo de alimentação esteja desconectado da tomada elétrica.

IMPORTANTE: O reservatório hidráulico 18,9 litros [5 galões] contém aproximadamente 15,9 litros [4,2 galões] de óleo quando abastecido até o nível adequado com o cilindro totalmente retraído e o motor desligado. Elimine o óleo usado de acordo com todas as leis e regulamentos aplicáveis.

2. Afrouxe e remova o bujão de drenagem de óleo na parte inferior do reservatório. Faça com que o óleo usado seja drenado para um recipiente adequado.
3. Limpe e instale novamente o bujão de drenagem de óleo.
4. Remova, limpe e reinstale o respiro de ar do reservatório. Ele é montado na chapa de cobertura do topo do reservatório. Veja o lugar indicado na figura 7.

5. Solte o bujão de abastecimento de óleo na parte superior do reservatório. Utilize um funil limpo e encha lentamente o reservatório até que o nível do óleo fique cerca de 25 mm [1 polegada] abaixo do topo do reservatório. Use óleo hidráulico Enerpac HF ou um equivalente adequado que atenda às especificações apresentadas na Tabela 8.
6. Reinstale o bujão de abastecimento de óleo.
7. Retire o filtro de óleo velho e substitua-o por um novo de especificações adequadas. Recolha qualquer óleo derramado em um recipiente adequado.
8. Levante e abaixe o cilindro várias vezes para verificar a operação adequada antes de colocar o macaco novamente em serviço.

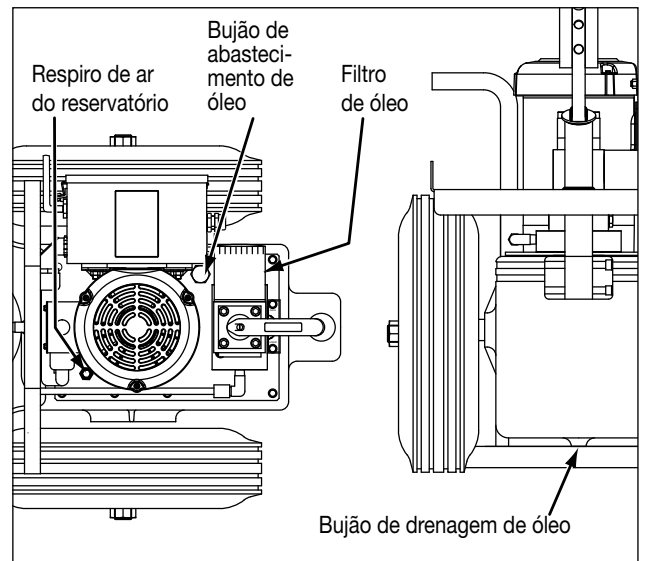


Figura 7, troca de óleo

6.3 Rodas e Pneus (Veja a Figura 8)

A cada 30 horas de funcionamento:

- Verifique se os pneus apresentam desgaste ou danos. Substitua, conforme necessário.
- Verifique a pressão de ar do pneu. Cada pneu deve ser inflado até 6,2 bar [90 psi].

A cada 12 meses:

- Lubrifique ambos os rolamentos da roda com uma graxa para rolamento de roda de alta qualidade. Cada cubo de roda contém uma graxeira.

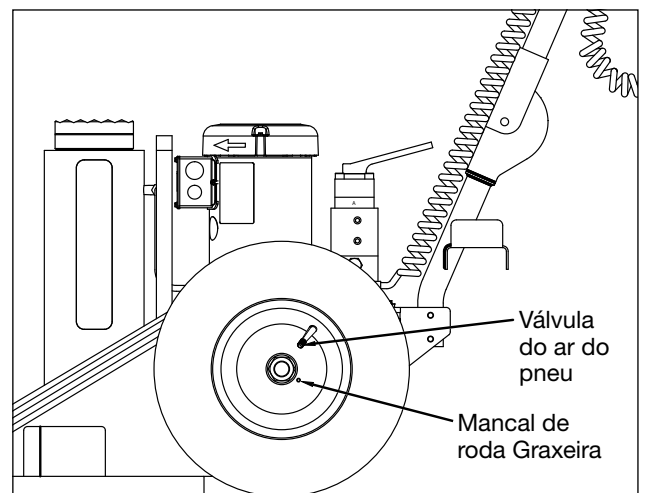


Figura 8, Manutenção da roda e do pneu

6.4 Substituição do Fusível (Veja as Figuras 9 e 10)



ADVERTÊNCIA: Risco de choque elétrico! Há alta tensão presente no interior do macaco, mesmo quando o motor estiver desligado. Certifique-se de que o cabo de alimentação do macaco esteja desligado da tomada elétrica (ou de outra fonte de energia elétrica) antes de remover ou instalar fusíveis, ou antes de abrir a porta do compartimento elétrico (se equipado). A não observância desta precaução poderá resultar em morte ou graves lesões corporais.

Um transformador redutor montado dentro do compartimento elétrico do macaco fornece energia de baixa tensão para a botoeira e para outros componentes elétricos. Os fusíveis ajudam a proteger o transformador e os componentes contra danos.

Todos os modelos de macaco contêm dois fusíveis: um fusível no primário do transformador principal (entrada de energia) e um fusível no secundário do transformador (saída de energia).

Consulte a Tabela 9 para obter informações sobre a troca de fusíveis. Sempre use fusíveis apenas das classificações e tamanhos especificados.



ADVERTÊNCIA: Deixar de instalar fusíveis de especificações adequadas pode causar incêndio, funcionamento irregular e/ou danos ao macaco. Pode resultar em morte, graves lesões corporais ou danos materiais.

Em macacos equipados com um sistema elétrico monofásico, os fusíveis estão localizados na parte inferior do compartimento elétrico do macaco. Os porta-fusível são montados na parte externa do compartimento e podem ser avaliados sem remover a tampa do compartimento. Veja a Figura 9.

Em macacos equipados com um sistema elétrico trifásico, os fusíveis estão localizados dentro do compartimento elétrico do macaco. A porta do compartimento deve ser aberta para acesso aos fusíveis. Veja a Figura 10.

Se um fusível queimar, isso pode indicar uma condição de excesso de tensão de linha. Sempre verifique se a tensão de linha está correta antes de trocar quaisquer fusíveis queimados. Um fusível também pode queimar se o cabo de alimentação do macaco ou cabo da botoeira ficar desgastado ou danificado.



ADVERTÊNCIA: Substitua imediatamente um cabo de alimentação ou cabo da botoeira desgastado ou danificado. Não reinicie a operação do macaco até os reparos sejam concluídos. Pode ocorrer choque elétrico se houver contato com fiação partida ou exposta. Pode resultar em morte ou graves lesões corporais.

Se um ou ambos os fusíveis continuarem a queimar depois de trocados e o problema não puder ser determinado, faça com que o sistema elétrico do macaco seja inspecionado e reparado por um Centro de Serviços Autorizado da Enerpac.

Tabela 9 - Informações sobre a troca de fusíveis

Modelo do Macaco Começando com:	(Veja as figuras 9 e 10 para as localizações dos fusíveis)	
	A Fusível no Primário (entrada de energia)	B Fusível no Secundário (saída de energia)
PREMB (115V) PREMI (230V) PREME (200V)	40mA 250V 1/4" x 1-1/4" Retardo do Tempo	300mA 250V 1/4" x 1-1/4" Retardo do Tempo
PREMG (208-240V)	1A 600V 13/32" x 1-1/2" Retardo do Tempo	4A 125V 5mm x 20mm Retardo de Tempo
PREMW (380-415V)	600mA 600V 13/32" x 1-1/2" Retardo do Tempo	4A 125V 5mm x 20mm Retardo de Tempo
PREMJ (440-480V)	500mA 600V 13/32" x 1-1/2" Retardo do Tempo	4A 125V 5mm x 20mm Retardo de Tempo
PREMR (575V)	400mA 600V 13/32" x 1-1/2" Retardo do Tempo	4A 125V 5mm x 20mm Retardo de Tempo

Nota: A quinta letra do número do modelo será B, E, I, G, W, J ou R, dependendo da configuração elétrica do macaco.

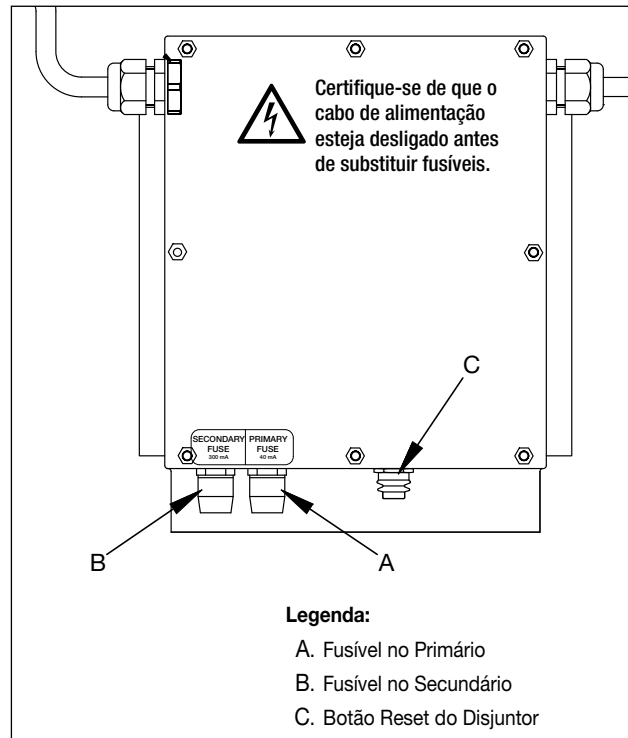


Figura 9, Localizações do Fusível e do Botão Reset, Modelos monofásicos

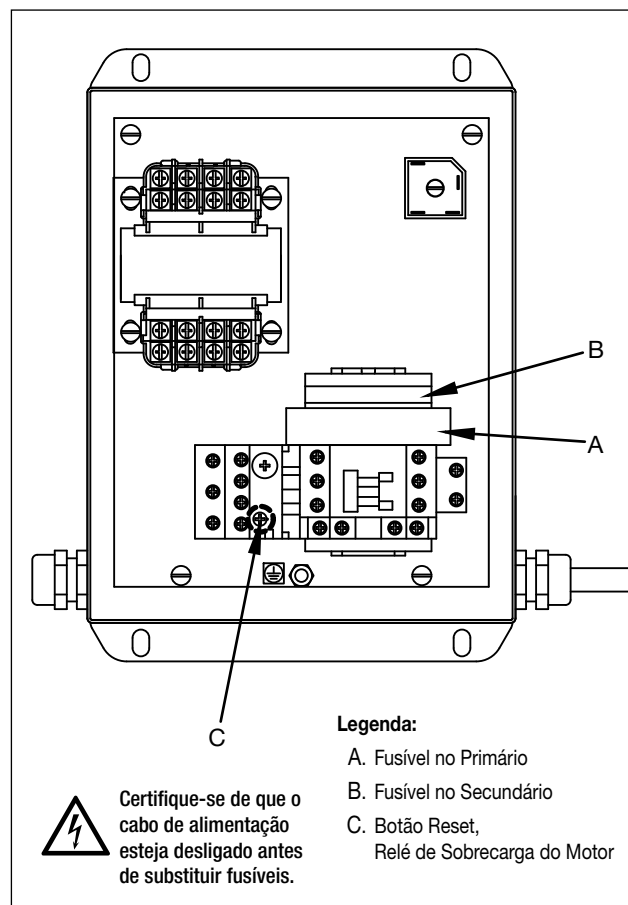


Figura 10, Localizações do Fusível e do Botão Reset, Modelos trifásicos

6.5 Relé de Sobrecarga Motor (Somente modelos trifásicos)



PERIGO: Risco de choque elétrico! Há alta tensão presente no interior do macaco, mesmo quando o motor estiver desligado. Certifique-se de que o cabo de alimentação do macaco esteja desligado da tomada elétrica (ou de outra fonte de energia elétrica) antes de remover ou instalar fusíveis, ou antes de abrir a porta do compartimento elétrico. A não observância desta precaução poderá resultar em morte ou graves lesões corporais.

Os modelos de macaco equipados com um sistema elétrico trifásico contém um relé reconfigurável de sobrecarga do motor. O botão reset do relé está localizado dentro do compartimento elétrico do macaco. Veja a Figura 10, Item C.

Se o relé de sobrecarga do motor disparar, o motor do macaco não será iniciado quando os botões da botoeira forem pressionados. A bandeira do indicador de disparos (localizada na parte da frente do relé) também será visível.

Para reiniciar o relé de sobrecarga do motor, pressione e solte o botão reset e verifique se bandeira do indicador de disparos desaparece. Isso indica que o relé foi reiniciado.

Se o relé de sobrecarga do motor não reiniciar, espere alguns minutos até que ele esfrie e então tente reiniciá-lo novamente.

Se o relé de sobrecarga do motor continuar a disparar durante a operação normal, faça com que o sistema elétrico do macaco seja inspecionado e reparo por um centro de serviços autorizado da Enerpac.

7.0 IDENTIFICAÇÃO E SOLUÇÃO DE PROBLEMAS

Pretende-se que as informações contidas no Guia de Identificação e Solução de Problemas (consulte a Tabela 10) sejam uma ajuda no diagnóstico e correção de vários possíveis problemas que possam ocorrer.

Para serviços de conserto, entre em contato com seu Centro Autorizado de Serviços local da Enerpac. Somente um Centro de Autorizado de Serviços da Enerpac deve consertar o macaco e seus componentes.



PERIGO: Há alta tensão presente no sistema elétrico do macaco, mesmo quando o motor está desligado. Antes de retirar a tampa do compartimento elétrico ou de abrir a porta do compartimento elétrico, certifique-se de que o cabo de alimentação do macaco esteja desconectado da tomada elétrica ou de outra fonte de energia elétrica.



ADVERTÊNCIA: Sempre desconecte o cabo de alimentação da tomada elétrica antes de trocar os fusíveis.



ADVERTÊNCIA: Todos os procedimentos de identificação e solução de problemas elétricos devem ser feitos por um eletricitista treinado e qualificado.



ADVERTÊNCIA: Nunca aperte ou afrouxe conexões hidráulicas enquanto o sistema hidráulico do macaco estiver pressurizado.

Tabela 10 - Guia de Identificação e Solução de Problemas

Sintoma	Causa possível	Solução
1. Ação esporádica do cilindro.	Ar aprisionado no sistema hidráulico.	Acione o cilindro para cima e para baixo diversas vezes para sangrar o ar aprisionado.
	Nível baixo de óleo no reservatório hidráulico.	Acrescente óleo Enerpac HF, conforme necessário.
	Vedação gasta e/ou outro dano interno.	Faça com que o sistema hidráulico seja inspecionado em um Centro Autorizado de Serviços da Enerpac. Conserte ou substitua os componentes, conforme necessário.
2. Operação barulhenta.	Ar aprisionado no sistema hidráulico.	Acione o cilindro para cima e para baixo diversas vezes para sangrar o ar aprisionado.
	Nível baixo de óleo no reservatório hidráulico.	Acrescente óleo Enerpac HF, conforme necessário.
	Ar vaza no sistema hidráulico.	Verifique todos os pontos onde o ar pode vaziar no sistema.
	Tela de entrada da bomba entupida ou bloqueada.	Faça com que o reservatório hidráulico e a tela de entrada sejam lavados e limpos em um Centro Autorizado de Serviços da Enerpac.
3. Operação extraordinariamente lenta.	Voltagem baixa.	Verifique a linha tensão AC.
	Cabo de extensão muito longo.	Use cabo de extensão mais curto.
	Bitola do fio do cabo de extensão não suficientemente grossa.	Use um cabo de extensão com bitola mais grossa.
4. O óleo está superaquecendo.	Nível baixo de óleo no reservatório hidráulico.	Acrescente óleo Enerpac HF, conforme necessário.
	Viscosidade do óleo muito alta ou muito baixa.	Drene o óleo do reservatório e reabasteça com óleo Enerpac HF
	Vazamento de alta pressão na bomba.	Faça com que o sistema hidráulico seja inspecionado em um Centro Autorizado de Serviços da Enerpac. Conserte ou substitua os componentes, conforme necessário.
5. A bomba funciona, mas não bombeia o óleo. OU O cilindro se move, mas não levanta a carga.	Vedação gasta e/ou outro dano interno.	Faça com que o sistema hidráulico seja inspecionado em um Centro Autorizado de Serviços da Enerpac. Conserte ou substitua os componentes, conforme necessário.
	Válvula de controle necessita conserto.	Faça com que a válvula de controle seja inspecionada por um Centro Autorizado de Serviços da Enerpac. Conserte ou substitua os componentes, conforme necessário.

(continua na página seguinte)

Tabela 10 - Guia de Identificação e Solução de Problemas (Continuação)

Sintoma	Causa possível	Solução
6. O cilindro avança, mas não retorna.	Vazamento na pressão interna, ou nas mangueiras de retração.	Faça com que o sistema hidráulico seja inspecionado em um Centro Autorizado de Serviços da Enerpac. Conserte ou substitua os componentes, conforme necessário.
	Ajuste da válvula de alívio interna ou ajuste da válvula de alívio de retração da lateral muito baixo.	Faça com que o sistema hidráulico seja inspecionado em um Centro Autorizado de Serviços da Enerpac. Conserte ou substitua os componentes, conforme necessário.
	Defeito na válvula over-center, válvula de bloqueio secundária ou válvula de controle.	Faça com que o sistema hidráulico seja inspecionado em um Centro Autorizado de Serviços da Enerpac. Conserte ou substitua os componentes, conforme necessário.
	A bomba não está desenvolvendo pressão suficiente.	Faça com que o sistema hidráulico seja inspecionado em um Centro Autorizado de Serviços da Enerpac. Conserte ou substitua os componentes, conforme necessário.
7. A bomba não funciona.	Sem energia ou energia incorreta.	Verifique a alimentação da linha CA.
	Disjuntor do macaco foi acionado. (somente modelos monofásicos)	Pressione o botão reset do disjuntor (dentro do compartimento elétrico do macaco).
	O relé de sobrecarga do motor do macaco foi acionado. (somente modelos trifásicos)	Pressione o botão reset no relé de sobrecarga do motor (dentro do compartimento elétrico do macaco).
	Fusível no primário ou secundário do transformador queimou.	Remova ambos os fusíveis e verifique-os quanto à continuidade. Se um ou ambos os fusíveis estiverem queimados, verifique a tensão de linha para ter certeza de que é a correta para seu modelo de macaco. Verifique se os fusíveis instalados são do tipo e classificação corretos. Consulte a Tabela 9. Nota: Um cabo danificado da botoeira pode fazer com que fusível no secundário queime. Se um ou ambos os fusíveis continuarem a queimar depois de trocados e o problema não puder ser determinado, faça com que o sistema elétrico do macaco seja inspecionado e reparado por um Centro de Serviços Autorizado da Enerpac.
	Escovas do motor gastas. (somente modelos monofásicos)	Troque as escovas do motor em um Centro de Serviços Autorizado da Enerpac.
	Conexões soltas ou fiação incorreta.	Faça com que o sistema elétrico seja inspecionado em um Centro Autorizado de Serviços da Enerpac.
	Motor e/ou componentes elétricas gastos ou danificados.	Faça com que o sistema elétrico seja inspecionado em um Centro Autorizado de Serviços da Enerpac. Conserte ou substitua os componentes, conforme necessário.
8. O motor da bomba gira na direção errada. (somente modelos trifásicos)	Fiação incorreta.	Inverta os fios elétricos.
9. O motor da bomba gira quente ou o disjuntor desarma. (modelos monofásicos) O motor da bomba gira quente ou o relé de sobrecarga do motor dispara. (modelos trifásicos)	Motor gasto ou danificado.	Faça com que o motor seja inspecionado pelo Centro Autorizado de Serviços da Enerpac. Conserte ou substitua os componentes, conforme necessário.
	O motor está operando "monofasicamente". (somente modelos trifásicos)	Corrija a fiação elétrica.
	Elemento da bomba está danificado, gasto ou bloqueado.	Faça com que o elemento da bomba seja inspecionado em um Centro Autorizado de Serviços da Enerpac. Conserte ou substitua os componentes, conforme necessário.
10. O motor da bomba tenta dar partida, mas não funciona.	Voltagem baixa.	Verifique a linha tensão AC.
	Elemento da bomba emperrado.	Faça com que o elemento da bomba seja inspecionado em um Centro Autorizado de Serviços da Enerpac. Conserte ou substitua os componentes, conforme necessário.
	Motor e/ou componentes elétricas gastos ou danificados.	Faça com que o sistema elétrico seja inspecionado em um Centro Autorizado de Serviços da Enerpac. Conserte ou substitua os componentes, conforme necessário.
11. É difícil rolar o macaco sobre as rodas.	Baixa pressão de ar no pneu.	Verifique a pressão do pneu. Adicione ar, se estiver baixo. A pressão deve ser de 6,2 bar [90 psi].
	Os rolamentos da roda precisam de lubrificação.	Aplique graxa nos rolamentos da roda.
	A contra-porca da roda está fora de ajuste.	Desaperte a contra-porca até que a roda gire livremente.

NOTAS:

Enerpac Worldwide Locations

◆ e-mail: info@enerpac.com

◆ internet: www.enerpac.com

Australia and New Zealand

Actuant Australia Ltd.
P.O. Box 6867
Wetherhill Park, NSW1851
Block V Unit 3
Regents Park Estate
391 Park Road
Regents Park NSW 2143
Australia
T +61 287 177 200
F +61 297 438 648
sales-au@enerpac.com

Brazil

Power Packer do Brasil Ltda.
Rua Luiz Lawrie Reid, 548
09930-760 - Diadema (SP) - Brazil
T +55 11 5687 2211
Toll Free: 0800 891 5770
vendasbrasil@enerpac.com

China (Taicang)

Actuant (China) Industries Co. Ltd.
No. 6 Nanjing East Road,
Taicang Economic Dep Zone
Jiangsu, China
T +86 0512 5328 7500
F +86 0512 5335 9690
Toll Free: +86 400 885 0369
sales-cn@enerpac.com

France, Switzerland, North Africa and French speaking African countries

ENERPAC
Une division d'ACTUANT France S.A.S.
ZA de Courtaboeuf
32, avenue de la Baltique
91140 VILLEBON /YVETTE
France
T +33 1 60 13 68 68
F +33 1 69 20 37 50
sales-fr@enerpac.com

Germany and Austria

ENERPAC GmbH
P.O. Box 300113
D-40401 Düsseldorf
Willstätterstrasse 13
D-40549 Düsseldorf, Germany
T +49 211 471 490
F +49 211 471 49 28
sales-de@enerpac.com

India

ENERPAC Hydraulics (India) Pvt. Ltd.
No. 10, Bellary Road, Sadashivanagar,
Bangalore, Karnataka 560 080
India
T +91 80 3928 9000
info@enerpac.co.in
www.enerpac.com

Italy

ENERPAC S.p.A.
Via Canova 4
20094 Corsico (Milano)
T +39 02 4861 111
F +39 02 4860 1288
sales-it@enerpac.com

Japan

Applied Power Japan LTD KK
Besshocho 85-7
Kita-ku, Saitama-shi 331-0821, Japan
T +81 48 662 4911
F +81 48 662 4955
sales-jp@enerpac.com

Middle East, Egypt and Libya

ENERPAC Middle East FZE
Office 423, LOB 15
P.O. Box 18004, Jebel Ali, Dubai
United Arab Emirates
T +971 (0)4 8872686
F +971 (0)4 8872687
sales-ua@enerpac.com

Russia

Rep. office Enerpac
Russian Federation
Admiral Makarova Street 8
125212 Moscow, Russia
T +7 495 98090 91
F +7 495 98090 92
sales-ru@enerpac.com

Southeast Asia, Hong Kong and Taiwan

Actuant Asia Pte Ltd.
83 Joo Koon Circle
Singapore 629109
T +65 68 63 0611
F +65 64 84 5669
Toll Free: +1800 363 7722
sales-sg@enerpac.com

South Korea

Actuant Korea Ltd.
3Ba 717, Shihwa Industrial Complex
Jungwang-Dong, Shihung-Shi,
Kyunggi-Do
Republic of Korea 429-450
T +82 31 434 4506
F +82 31 434 4507
sales-kr@enerpac.com

Spain and Portugal

ENERPAC SPAIN, S.L.
Avda. Los Frailes, 40 – Nave C & D
Pol. Ind. Los Frailes
28814 Daganzo de Arriba
(Madrid) Spain
T +34 91 884 86 06
F +34 91 884 86 11
sales-es@enerpac.com

Sweden, Denmark, Norway,

Finland and Iceland
Enerpac Scandinavia AB
Kopparlundsvägen 14,
721 30 Västerås
Sweden
T +46 (0) 771 41 50 00
scandinavianinquiries@enerpac.com

The Netherlands, Belgium, Luxembourg, Central and Eastern Europe, Baltic States, Greece, Turkey and CIS countries

ENERPAC B.V.
Galvanistraat 115, 6716 AE Ede
P.O. Box 8097, 6710 AB Ede
The Netherlands
T +31 318 535 911
F +31 318 535 848
sales-nl@enerpac.com

Enerpac Integrated Solutions B.V.

Spinelstraat 15, 7554 TS Hengelo
P.O. Box 421, 7550 AK Hengelo
The Netherlands
T +31 74 242 20 45
F +31 74 243 03 38
integratedsolutions@enerpac.com

South Africa and other English speaking African countries

Enerpac Africa Pty Ltd.
No. 5 Bauhinia Avenue
Cambridge Office Park
Block E
Highveld Techno Park
Centurion 0157
Republic of South Africa
T: +27 12 940 0656
sales-za@enerpac.com

United Kingdom and Ireland

ENERPAC UK Ltd.
5 Coopies Field
Morpeth, Northumberland
NE61 6JR, England
T +44 (0) 1670 5016 50
F +44 (0) 1670 5016 51
sales-uk@enerpac.com

USA, Latin America and Caribbean

ENERPAC World Headquarters
P.O. Box 3241
Milwaukee WI 53201-3241 USA
N86 W12500 Westbrook Crossing
Menomonee Falls, Wisconsin 53051
T +1 262 293 1600
F +1 262 293 7036
User inquiries:
T +1 800 433 2766
Distributor inquiries/orders:
T +1 800 558 0530
F +1 800 628 0490
Technical inquiries:
techservices@enerpac.com
sales-us@enerpac.com

All Enerpac products are
guaranteed against defects
in workmanship and materials
for as long as you own them.

For the location of your nearest
authorized Enerpac Service Center,
visit us at www.enerpac.com