

L2671 Rev. C 11/10

Index:

English	1-5
Français	6-10
Deutsch	11-15
Italiano	16-20
Español	21-25
Nederlands	26-30
Portuguese	31-35
Finnish	36-40
Norwegian	41-45
Swedish	46-50
中文	51-55
日本語	56-61

Repair Parts Sheets for this product are available from the Enerpac web site at www.enerpac.com, or from your nearest Authorized Enerpac Service Center or Enerpac Sales office.

1.0 IMPORTANT RECEIVING INSTRUCTIONS

Visually inspect all components for shipping damage. Shipping damage is not covered by warranty. If shipping damage is found, notify carrier at once. The carrier is responsible for all repair and replacement costs resulting from damage in shipment.

SAFETY FIRST

2.0 SAFETY ISSUES



Read all instructions, warnings and cautions carefully. Follow all safety precautions to avoid personal injury or property damage during system operation. Enerpac cannot be responsible for damage or injury resulting from unsafe product use, lack of maintenance or incorrect product and/or system operation. Contact Enerpac when in doubt as to the safety precautions and operations. If you have never been trained on high-pressure hydraulic safety, consult your distribution or service center for a free Enerpac Hydraulic safety course.

Failure to comply with the following cautions and warnings could cause equipment damage and personal injury.

A **CAUTION** is used to indicate correct operating or maintenance procedures and practices to prevent damage to, or destruction of equipment or other property.

A **WARNING** indicates a potential danger that requires correct procedures or practices to avoid personal injury.

A **DANGER** is only used when your action or lack of action may cause serious injury or even death.



WARNING: Wear proper personal protective gear when operating hydraulic equipment.



WARNING: Stay clear of loads supported by hydraulics. A cylinder, when used as a load lifting device, should never be used as a load holding device. After the load has been raised or lowered, it must always be blocked mechanically.



WARNING: USE ONLY RIGID PIECES TO HOLD LOADS. Carefully select steel or wood blocks that are capable of supporting the load. Never use a hydraulic cylinder as a shim or spacer in any lifting or pressing application.



DANGER: To avoid personal injury keep hands and feet away from cylinder and workpiece during operation.



WARNING: Do not exceed equipment ratings. Never attempt to lift a load weighing more than the capacity of the cylinder. Overloading causes equipment failure and possible personal injury. The cylinders are designed for a max. pressure of 700 bar [10,000 psi]. Do not connect a jack or cylinder to a pump with a higher pressure rating.



Never set the relief valve to a higher pressure than the maximum rated pressure of the pump. Higher settings may result in equipment damage and/or personal injury.



WARNING: The system operating pressure must not exceed the pressure rating of the lowest rated component in the system. Install pressure gauges in the system to monitor operating pressure. It is your window to what is happening in the system.



CAUTION: Avoid damaging hydraulic hose. Avoid sharp bends and kinks when routing hydraulic hoses. Using a bent or kinked hose will cause severe back-pressure. Sharp bends and kinks will internally damage the hose leading to premature hose failure.



Do not drop heavy objects on hose. A sharp impact may cause internal damage to hose wire strands. Applying pressure to a damaged hose may cause it to rupture.



IMPORTANT: Do not lift hydraulic equipment by the hoses or swivel couplers. Use the carrying handle or other means of safe transport.



CAUTION: Keep hydraulic equipment away from flames and heat. Excessive heat will soften packings and seals, resulting in fluid leaks. Heat also weakens hose materials and packings. For optimum performance do not expose equipment to temperatures of 65°C [150°F] or higher. Protect hoses and cylinders from weld spatter.



DANGER: Do not handle pressurized hoses. Escaping oil under pressure can penetrate the skin, causing serious injury. If oil is injected under the skin, see a doctor immediately.



WARNING: Only use hydraulic cylinders in a coupled system. Never use a cylinder with unconnected couplers. If the cylinder becomes extremely overloaded, components can fail catastrophically causing severe personal injury.



WARNING: BE SURE SETUP IS STABLE BEFORE LIFTING LOAD. Cylinders should be placed on a flat surface that can support the load. Where applicable, use a cylinder base for added stability. Do not weld or otherwise modify the cylinder to attach a base or other support.



Avoid situations where loads are not directly centered on the cylinder plunger. Off-center loads produce considerable strain on cylinders and plungers. In addition, the load may slip or fall, causing potentially dangerous results.



Distribute the load evenly across the entire saddle surface. Always use a saddle to protect the plunger.



IMPORTANT: Hydraulic equipment must only be serviced by a qualified hydraulic technician. For repair service, contact the Authorized ENERPAC Service Center in your area. To protect your warranty, use only ENERPAC oil.



WARNING: Immediately replace worn or damaged parts by genuine ENERPAC parts. Standard grade parts will break causing personal injury and property damage.

ENERPAC parts are designed to fit properly and withstand high loads.



WARNING: Keep hands clear of moving parts and pressurized hoses.



WARNING: These pumps have internal factory adjusted relief valves, which must not be repaired or adjusted except by an Authorized Enerpac Service Center.



II 2 GD ck T4

▼ ZA4 PERFORMANCE CHART

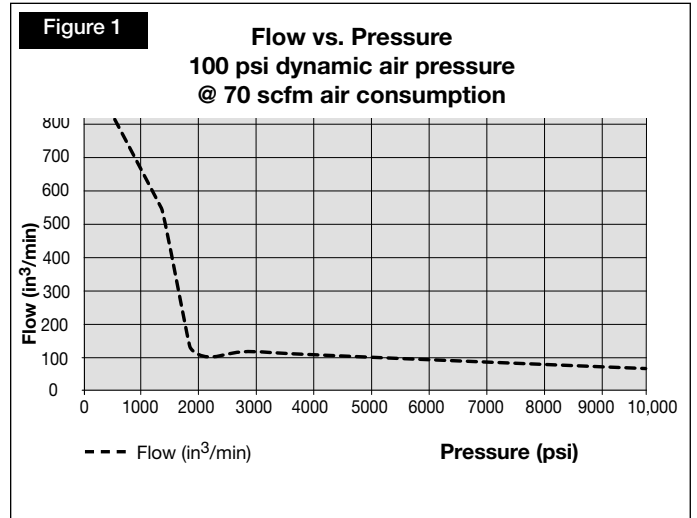
Motor Size (hp)	Output Flow Rate (in ³ /min)				Dynamic Air Pressure Range (psi)	Air Consumption (scfm)	Sound Level @ 100 psi dynamic (dBA)	Relief Valve Adjustment Range (psi)
	100 psi	5,000 psi	5,000 psi	10,000 psi				
4*	850	675	110	80	60-100	20-100	94-97	1000-10,000

* Actual power consumption depends on the application. See Figure 1.

3.0 SPECIFICATIONS

3.1 Performance Chart (see Performance Chart below)

3.2 Flow Chart



4.0 INSTALLATION

Install or position the pump to ensure that air flow around the motor and pump is unobstructed. Keep the motor clean to ensure maximum cooling during operation.

4.1 Reservoir Breather Cap (See Figure 2)

For shipping purposes, a shipping plug (A) is installed in the breather port on the top of the reservoir. Before using replace the shipping plug with the breather cap (B). NOTE: The breather port (B) is separate from the oil fill port (C). Oil fill port (C) uses a SAE #10 plug.

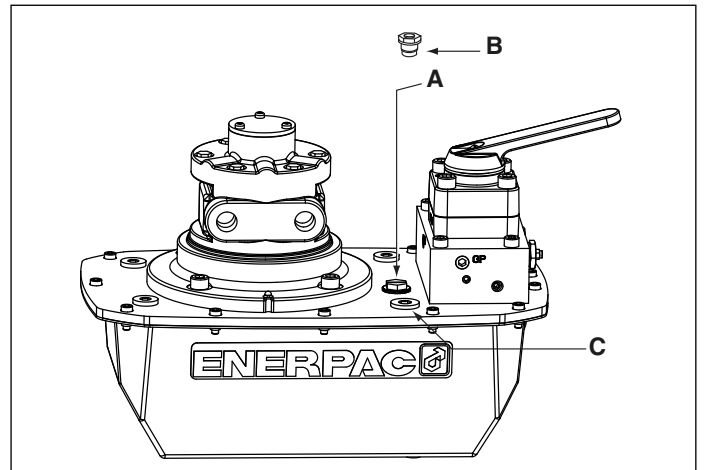


Figure 2, ZA4 Breather Installation

4.2 Pump Mounting

Refer to Figure 3 for mounting dimensions to secure the pump to a fixed surface.

	1, 2 Gal. (4-8 L) in. (mm)	2.5 Gal. (10 L) in. (mm)	5 Gal. (20 L) in. (mm)	10 Gal. (40 L) in. (mm)
A	9.46 (240)	12.0 (305)	16.6 (421)	19.9 (505)
B	3.75 (95)	11.0 (279)	15.6 (396)	18.9 (480)
C	16.28 (414)	17.6 (446)	17.6 (446)	17.6 (446)
D	9.00 (229)	12.0 (305)	12.0 (305)	12.0 (305)
E	2.86 (73)	0.5 (13)	0.5 (13)	0.5 (13)
F	3.64 (92)	2.8 (71)	2.8 (71)	2.8 (71)
G	M8 x 1.25 0.25 (6) deep	Ø .34 (8.6) diameter through hole		

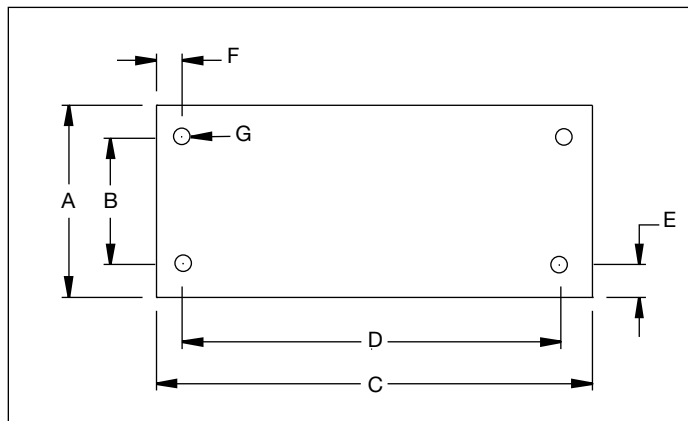


Figure 3

4.3 Air Supply Connections

Pump requires 60-100 psi dynamic air pressure at 20-100 cfm. A RFL-102 Regulator-Filter-Lubricator should be installed upstream from the air inlet to provide clean, lubricated air, and to allow for air pressure adjustment. Attach incoming air supply to the 1/2" NPT port on the air valve.

4.4 Fluid Level

Check the oil level of the pump prior to start-up, if necessary add oil by removing the SAE #10 plug from the cover plate (see Fig. 2). The reservoir is full when the oil level reaches the top of the sight glass. (Fig. 4).

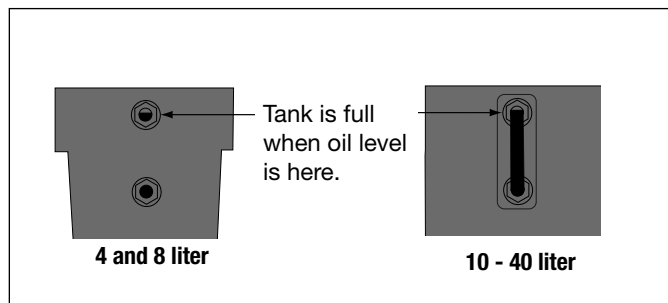


Figure 4

IMPORTANT: Add oil only when all system components are fully retracted, or the system will contain more oil than the reservoir can hold.

4.5 Hydraulic Connections

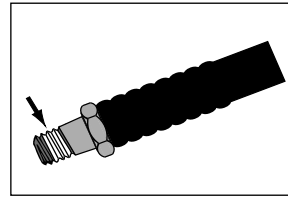


Figure 5

Apply 1-1/2 wraps of Teflon tape or other suitable sealant to the hydraulic hose fitting, leaving the first complete thread free of tape or sealant as shown in Figure 5.

Thread hose(s) into outlet port(s) of the valve (see valve body for port identification).

Extend hose to valve port "A"

Retract hose to valve port "B" (if applicable).

Gauge to valve port "GA, GB, or GP".

("GA" measures "A" port pressure, "GB" measures "B" port pressure, "GP" measures pump pressure down stream of system check).

5.0 OPERATION

1. Check the oil level of pump and add oil if necessary.
2. Make sure the shipping plug has been removed and the breather cap is installed. (See section 4.1)
3. Place manual control valve in the Neutral position.
4. Connect unit to air supply
5. To start the air motor, slide the air valve inward.
6. To stop the air motor, slide the valve outward.

5.1 Manual Valve Operation

VM32 (See Fig. 6)

1. Advance
2. Retract (Neutral)

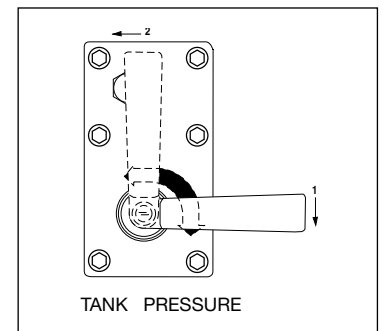


Figure 6

VM33, VM33L, VM43, VM43L (See Fig. 7)

1. Advance
2. Retract
3. Neutral

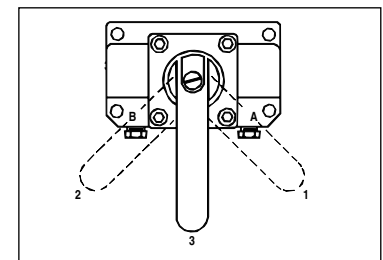


Figure 7

5.2 Relief Valve Adjustment

Z-Class pumps are equipped with one user adjustable relief valve (see Figure 8.) It can be adjusted as follows:

1. Install a gauge on the pump.
2. Start the pump to allow the oil to warm.
3. Loosen the set screw locking nut.

- Shift the control valve and build pressure in the system. Using an Allen wrench, turn the set screw counter-clockwise to decrease pressure and clockwise to increase pressure.
NOTE: To get an accurate setting, decrease the pressure to a point below the final setting and then slowly increase the pressure until it reaches the final setting.
- Tighten the locking nut when the desired pressure is set.
- Shift the control valve to the neutral position, allowing the system pressure to return to 0 psi.
- Recheck the final pressure setting by shifting the control valve and pressurizing the system.

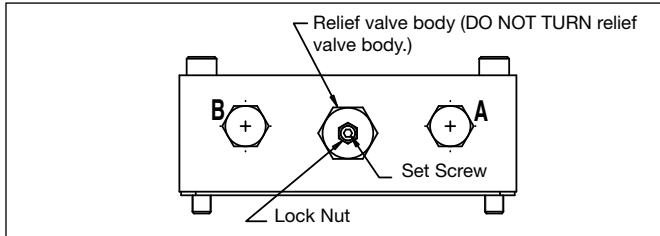


Figure 8

6.0 MAINTENANCE

Frequently inspect all system components for leaks or damage. Repair or replace damaged components.

6.1 Check Oil Level

Check the oil level of the pump prior to start-up, and add oil, if necessary, by removing the fill port cap. Always be sure cylinders are fully retracted before adding fluid to the reservoir. See Figure 2.

6.2 Change Oil and Clean Reservoir

Enerpac HF oil is a crisp blue color. Frequently check oil condition for contamination by comparing pump oil to new Enerpac oil. As a general rule, completely drain and clean the reservoir every 250 hours, or more frequently if used in dirty environments.

NOTE: This procedure requires that you remove the pump from the reservoir. Work on a clean bench and dispose of used oil according to local codes.

- Unscrew the 13 bolts holding the coverplate to the reservoir and lift the pump unit out of the reservoir. Be careful not to damage the filter screen.
- Pour all oil out of the reservoir.
- Thoroughly clean the reservoir and reservoir magnet with a suitable cleaning agent.
- Remove the pick-up filter screen for cleaning. (Do not pull on the screen or the bottom of the intake to avoid possible damage.) Clean the screen with solvent and a soft brush. Reinstall.
- Reassemble the pump and reservoir, installing a new reservoir gasket.
- Fill the reservoir with clean Enerpac hydraulic oil. The reservoir is full when oil level is in middle of the sight gauge (see figure 4).

6.3 Changing the Filter Element (optional)

A return line filter may be ordered as an accessory to the pump. The filter element should be replaced every 250 hours, or more frequently in dirty environments. The filter manifold is equipped with a 25 psi (1,7 bar) bypass to prevent over pressure rupture if filter plugging occurs. Filter element replacement part number is PF25.

6.4 Cleaning the Muffler

When the pump is run for long periods of time, ice may form on the muffler element and must be removed. To clean the muffler, unscrew and remove any debris.

7.0 TROUBLESHOOTING (see Trouble-shooting Guide)

Only qualified hydraulic technicians should service the pump or system components. A system failure may or may not be the result of a pump malfunction. To determine the cause of the problem, the complete system must be included in any diagnostic procedure.

The following information is intended to be used only as an aid in determining if a problem exists. For repair service, contact your local Authorized Enerpac Service Center.

Trouble-shooting Guide		
Problem	Possible Cause	Action
Pump will not start	Air turned off or line blocked	See section 5.0 Operation for details
Motor stalls under load	Low air pressure Muffler plugged; contaminated air	See section 4.3 See section 6.4
Pump fails to build pressure or less than full pressure	Low oil level Relief valve set too low External system leak Internal leak in pump Internal leak in valve Internal leak in system component	Add oil per section 4.4 Adjust per section 5.2 Inspect and repair or replace See authorized service center See authorized service center See authorized service center
Pump builds full pressure, but load does not move	Load greater than cylinder capacity at full pressure Flow to cylinder blocked	Reduce load or add cylinder capacity Check hydraulic couplers for full engagement
Cylinder drifts back on its own	External system leak Internal leak in a system component Non-load holding valve used	Inspect all hydraulic connections and replace or repair See authorized service center See authorized service center
Single-acting cylinder will not return	No load on a "load return" cylinder Return flow restricted or blocked Locking valve used Valve malfunction Cylinder return spring broken	Add load Check couplers for full engagement Run motor while retracting See authorized service center See authorized service center
Double-acting cylinder will not return	Return flow restricted or blocked Locking valve used Valve malfunction	Check couplers for full engagement Run motor while retracting See authorized service center
Pump runs hot	Advance or retract flow restricted High ambient temperature	Check couplers for full engagement Install heat exchanger for hydraulic oil

L2671 Rev. C 11/10

Les vues éclatées de ce produit sont disponibles sur le site Enerpac www.enerpac.fr. Vous pouvez également les obtenir auprès de votre réparateur agréé Enerpac ou auprès d'Enerpac même.

1.0 INSTRUCTIONS IMPORTANTES RELATIVES À LA RÉCEPTION

Inspecter tous les composants pour vous assurer qu'ils n'ont subi aucun dommage en cours d'expédition. Les dommages subis en cours de transports ne sont pas couverts par la garantie. S'il sont abîmés, aviser immédiatement le transporteur, qui est responsable des frais de réparation et de remplacement résultant de dommages en cours de transport.

LA SÉCURITÉ AVANT TOUT !

2.0 SÉCURITÉ



Lire attentivement toutes les instructions et mises en garde et tous les avertissements. Suivre toutes les précautions pour éviter d'encourir des blessures personnelles ou de provoquer des dégâts matériels durant le fonctionnement du système. Enerpac ne peut pas être tenue responsable de dommages ou blessures résultant de l'utilisation risquée du produit, d'un mauvais entretien ou d'une application incorrecte du produit et du système. En cas de doute sur les précautions ou les applications, contacter Enerpac. En l'absence d'une formation aux mesures de sécurité à prendre en présence de liquides sous haute pression, consulter un centre de distribution ou de réparation Enerpac pour suivre un cours gratuit sur ce thème.

Respecter les mises en garde et avertissements suivants sous peine de provoquer des dégâts matériels et des blessures personnelles.

Une mise en garde **ATTENTION** sert à indiquer des procédures d'utilisation et de maintenance correctes qui visent à empêcher l'endommagement voire la destruction du matériel ou d'autres dégâts.

Un **AVERTISSEMENT** indique un danger potentiel qui exige la prise de mesures particulières visant à écarter tout risque de blessure.

La mention **DANGER** n'est utilisée que lorsqu'une action ou un acte de négligence risque de causer des blessures graves, voire mortelles.



AVERTISSEMENT : Porter un équipement de protection personnelle adéquat pour utiliser un appareil hydraulique.



AVERTISSEMENT : **Rester à l'écart de charges soutenues par un mécanisme hydraulique.** Un vérin, lorsqu'il est utilisé comme monte-charge, ne doit jamais servir de support de charge. Après avoir monté ou abaissé la charge, elle doit être bloquée par un moyen mécanique.



AVERTISSEMENT : UTILISER SEULEMENT DES PIÈCES RIGIDES POUR SOUTENIR LES CHARGES.

Sélectionner avec précaution des blocs d'acier ou de bois capables de supporter la charge. Ne jamais utiliser un vérin hydraulique comme cale ou intercalaire d'appui pour les applications de levage ou de pressage.



DANGER : Pour écarter tout risque de blessure personnelle, maintenir les mains et les pieds à l'écart du vérin et de la pièce à usiner durant l'utilisation.



AVERTISSEMENT : Ne pas dépasser les valeurs nominales du matériel. Ne jamais essayer de soulever une charge d'un poids supérieur à la capacité du vérin.

Une surcharge entraînera la panne du matériel et risque de provoquer des blessures personnelles. Les vérins sont conçus pour une pression maximale de 700 bar. Ne pas connecter de cric ou de vérin à une pompe affichant une pression nominale supérieure.



Ne jamais régler la soupape de sûreté à une pression supérieure à la pression nominale maximale de la pompe sous peine de provoquer des dégâts matériels et/ou des blessures personnelles.



AVERTISSEMENT : La pression de fonctionnement du système ne doit pas dépasser la pression nominale du composant du système affichant la plus petite valeur. Installer des manomètres dans le système pour surveiller la pression de fonctionnement. Ils permettent de vérifier ce qui se passe dans le système.



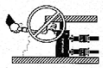
ATTENTION : Éviter d'endommager les tuyaux hydrauliques. Éviter de les plier et de les tordre en les mettant en place. Un tuyau plié ou tordu entraînera un fort retour de pression. Les plis et coudes prononcés endommageront par ailleurs l'intérieur du tuyau, provoquant son usure précoce.



Ne pas faire tomber d'objets lourds sur le tuyau. Un fort impact risque de causer des dégâts intérieurs (torons métalliques). L'application d'une pression sur un tuyau endommagé risque d'entraîner sa rupture.



IMPORTANT : Ne pas soulever le matériel hydraulique en saisissant ses tuyaux ou ses raccords articulés. Utiliser la poignée de transport ou procéder d'une autre manière sûre.



ATTENTION : Garder le matériel hydraulique à l'écart de flammes et d'une source de chaleur.

Une forte température amollira les garnitures et les joints et provoquera par conséquent des fuites. La chaleur affaiblit également les matériaux et les garnitures du tuyau. Pour une performance maximale, ne pas exposer le matériel à une température supérieure ou égale à 65 °C (150 °F). Protéger tuyaux et vérins de projections de soudure.



DANGER: Ne pas manipuler les tuyaux sous pression.

L'huile sous pression qui risque de s'en échapper peut pénétrer dans la peau et provoquer des blessures graves. En cas d'injection d'huile sous la peau, contacter immédiatement un médecin.



AVERTISSEMENT : Utiliser des vérins hydrauliques uniquement dans un système couplé.

Ne jamais utiliser un vérin en présence de raccords déconnectés. La surcharge du vérin peut avoir des effets désastreux sur ses composants, qui peuvent causer des blessures graves.



AVERTISSEMENT : S'assurer de la stabilité de l'ensemble avant de lever une charge.

Le vérin doit être placé sur une surface plane capable de supporter la charge. Lorsqu'applicable, utiliser une base de vérin pour accroître la stabilité. Ne pas souder ou modifier le vérin de quelque façon que ce soit pour y fixer une base ou un autre dispositif de support.



Éviter les situations où les charges ne sont pas directement centrées sur le piston du vérin. Les charges décentrées imposent un effort considérable au vérins et pistons. En outre, la charge risque de glisser ou de tomber, ce qui crée un potentiel de danger.



Répartir la charge uniformément sur toute la surface d'appui. Toujours utiliser un coussinet d'appui si des accessoires non filetés sont utilisés.



IMPORTANT : Le matériel hydraulique doit uniquement être réparé par un technicien hydraulique qualifié.

Pour toute réparation, contacter le centre de réparation ENERPAC agréé le plus proche. Pour assurer la validité de la garantie, n'utiliser que de l'huile ENERPAC.



AVERTISSEMENT : Remplacer immédiatement les pièces usées ou endommagées par des pièces ENERPAC authentiques.

Les pièces de qualité standard se casseront et provoqueront des blessures et des dégâts matériels. Les pièces ENERPAC sont conçues pour s'ajuster parfaitement et résister à de fortes charges.

Ex II 2 GD ck T4

▼ TABLEAU DE PERFORMANCE DE ZA4

Dimensions du moteur (CV)	Débit de sortie (l/min)				Plage de pression d'air dynamique (bar)	Consommation d'air (l/min)	Niveau du son à 6,9 bar dynamique (dBA)	Gamme de réglage de la soupape de décharge (bar)
	7 bar	50 bar	350 bar	700 bar				
4*	13,9	11,0	1,8	1,3	4,1-6,9	566-2832	94-97	70-700

* La consommation propre réelle dépend de l'application. Voir Figure 1.



ATTENTION : Tenez vos mains éloignées des pièces en mouvement et des flexibles sous pression.

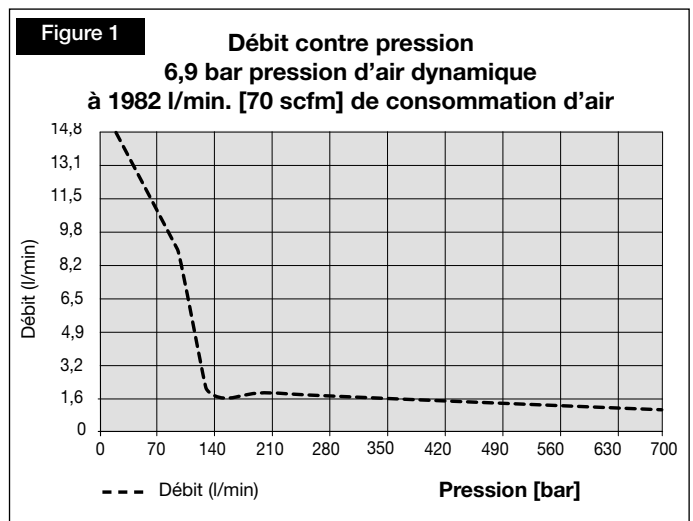


ATTENTION : Ces pompes sont équipées de vannes réglées en usine ; celles-ci ne sont réparables ou réglables que par un centre de service agréé Enerpac.

3.0 SPÉCIFICATIONS

3.1 Tableau de performance (voir le Tableau de performance ci-dessous)

3.2 Schémas de procédé (voir Figure 1)



4.0 INSTALLATION

Installez ou positionnez la pompe de manière à vous assurer que la circulation de l'air autour du moteur et de la pompe est dégagée. Gardez le moteur propre pour assurer un refroidissement maximum pendant l'opération.

4.1 Bouchon reniflard du réservoir (Voir Figure 2)

Pour des buts d'expédition, un bouchon d'expédition (A) est installé dans l'orifice d'alimentation de la partie supérieure du réservoir. Avant de l'utiliser remplacez le bouchon d'expédition par le bouchon reniflard (B). REMARQUE : L'orifice d'alimentation (B) est séparé de l'orifice de remplissage d'huile (C). L'orifice de remplissage d'huile (C) emploie un bouchon SAE n° 10.

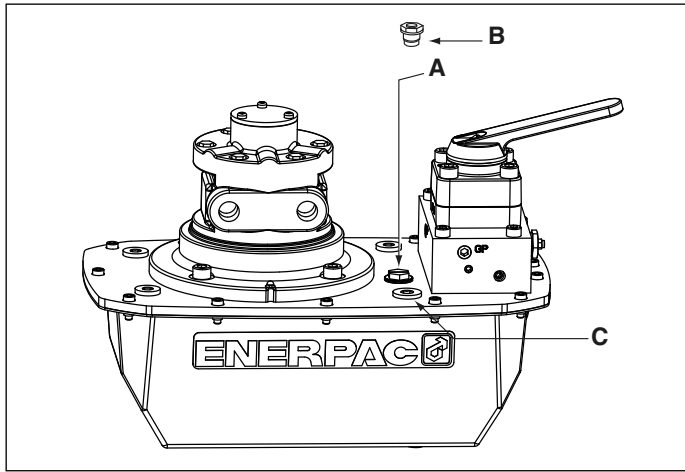


Figure 2, Installation du reniflard ZA4T

4.2 Plan de fixation

Consultez la Figure 3 pour les dimensions du support pour fixer la pompe à une surface fixe.

	4-8 L mm	10 L mm	20 L mm	40 L mm
A	240	305	421	505
B	95	279	396	480
C	414	446	446	446
D	229	305	305	305
E	73	13	13	13
F	92	71	71	71
G	M8, 12 mm (6) en profondeur	Ø 8.6 diamètre à travers le trou (6) en profondeur		

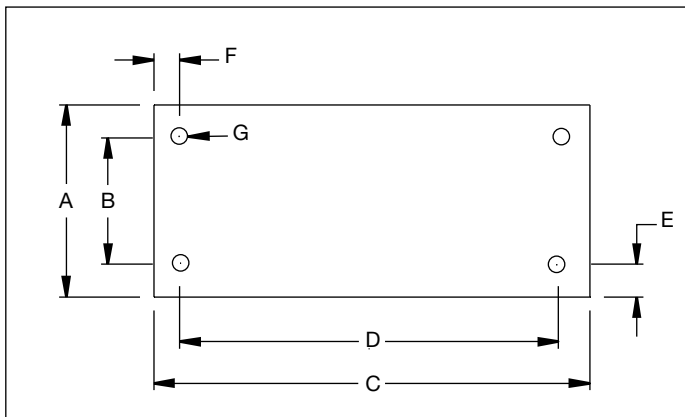


Figure 3

4.3 Connexions de l'alimentation d'air

La pompe requiert une pression d'air dynamique de 4,2 à 7 barentre 566 – 2832 l/min. [20 – 100 cfm]. Un régulateur-filtre-lubrificateur RFL-102 doit être installé en aval de l'admission d'air pour fournir de l'air propre et lubrifié et pour pouvoir régler la pression d'air. Fixer l'amenée d'air à une entrée NPT de 1/2" sur la vanne d'air.

4.4 Niveau d'huile

Vérifiez le niveau de l'huile de la pompe avant de la mettre en marche, si nécessaire, ajoutez de l'huile en enlevant le bouchon SAE n° 10 du couvercle de pompe (voir Fig. 2). Le réservoir est plein quand le niveau de l'huile arrive en haut du voyant. (Fig. 4).

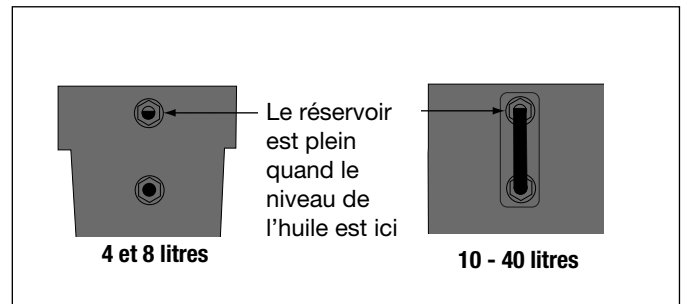
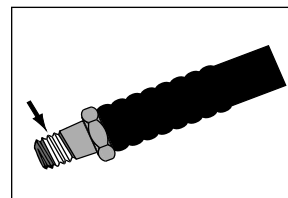


Figure 4

IMPORTANT: Ajoutez de l'huile seulement quand toutes les pièces du système sont complètement rétractées, ou le système contiendra plus d'huile que le réservoir ne peut contenir.

4.5 Liaisons hydrauliques



Appliquez 1 tour et demi de bande Téflon ou tout autre adhésif adéquat à l'installation du flexible hydraulique, en laissant le premier filet complet sans bande ou adhésif comme montré dans la Figure 5.

Figure 5

Introduisez le(s) tuyau(x) dans l'orifice(s) de sortie de la soupape (voir le corps de la soupape pour l'identification de l'orifice).

Étendez le tuyau jusqu'à l'orifice de la soupape « A ».

Rétractez le tuyau jusqu'à l'orifice « B » de la soupape (si applicable).

Jauge à l'orifice de la soupape « GA, GB, ou GP ».

(« GA » mesure la pression de l'orifice « A », « GB » mesure la pression de l'orifice « B », « GP » mesure la pression de la pompe en aval de la vanne d'arrêt principale).

5.0 FONCTIONNEMENT

1. Vérifier le niveau d'huile de la pompe et ajouter de l'huile au besoin.
2. Assurez-vous que le bouchon d'expédition a été retiré et que le reniflard est bien installé. (Consulter la section 4.1)
3. Placer la commande manuelle de la pompe, s'il y a lieu, à la position neutre.
4. Raccorder l'appareil à l'alimentation d'air
5. Pour démarrer le moteur à air, glisser la vanne d'air vers l'intérieur.

- Pour arrêter le moteur à air, glisser la vanne d'air vers l'extérieur.

5.1 Fonctionnement manuel des soupapes

VM32 (See Voir. 6)

- Avancer
- Rétracter (Neutre)

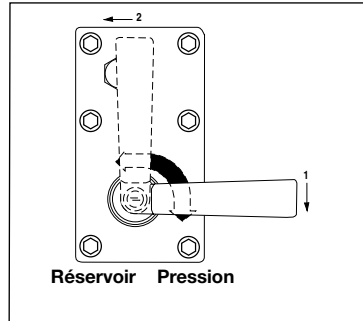


Figure 6

VM33, VM33L, VM43, VM43L (See Voir 7)

- Avancer
- Rétracter
- Neutre

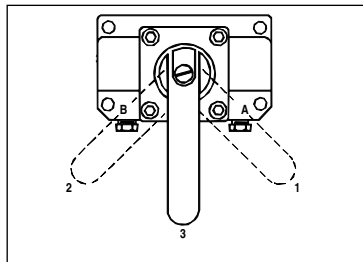


Figure 7

5.2 Réglage de la soupape de décharge

Les pompes de Z-Class sont dotées d'une soupape de décharge réglable par l'utilisateur (voir la figure 8). Elle s'ajuste de la façon suivante :

- Installer un manomètre sur la pompe.
- Faire démarrer la pompe pour réchauffer l'huile.
- Dévisser l'écrou de blocage de la vis de calage.
- Déplacer la vanne de réglage et faire monter la pression dans le système. À l'aide d'une clé Allen, faire tourner la vis de calage en sens antihoraire pour réduire la pression et en sens horaire pour l'augmenter.

REMARQUE : Pour obtenir un réglage correct, diminuer la pression à un point inférieur au réglage final, puis augmenter lentement la pression jusqu'à ce qu'elle atteigne le réglage final.

- Serrer l'écrou de blocage de la soupape de décharge lorsque la valeur de pression désirée est atteinte.
- Mettre la vanne de réglage en position neutre pour permettre à la pression du système de revenir à 0 bar/0 psi.
- Vérifier le réglage de pression final en déplaçant la vanne de réglage et en mettant le système sous pression.

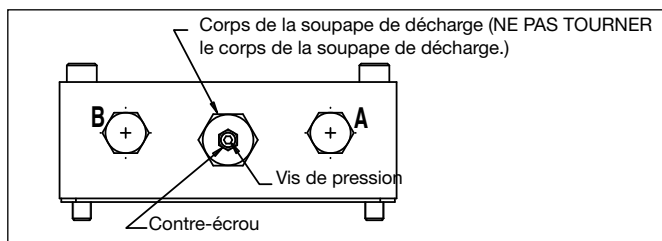


Figure 8

6.0 ENTRETIEN

Vérifiez fréquemment toutes les pièces du système pour des fuites ou des dommages. Réparez et remplacez les pièces endommagées.

6.1 Vérifier le niveau de l'huile

Vérifiez le niveau d'huile de la pompe avant de la mettre en marche et ajoutez de l'huile si nécessaire, en enlevant le bouchon de l'orifice de remplissage du réservoir. Assurez-vous toujours que les vérins sont complètement rétractés avant d'ajouter du liquide dans le réservoir. Voir Figure 2.

6.2 Changer l'huile et nettoyer le réservoir

L'huile Enerpac HF a une couleur bleu vif. Vérifiez fréquemment l'état de l'huile pour la contamination en comparant l'huile de la pompe à une nouvelle huile Enerpac. Comme règle générale, purgez et videz complètement le réservoir chaque 250 heures, ou plus fréquemment si utilisé dans des environnements sales.

REMARQUE : Pour ce procédé il faut que vous enleviez la pompe du réservoir. Travaillez sur un établi propre et débarrassez-vous de l'huile usagée selon les codes locaux.

- Dévissez les 13 boulons qui fixent le couvercle de la pompe au réservoir et élevez l'unité de la pompe en la sortant du réservoir. Faites attention de ne pas endommager le tamis.
- Déversez toute l'huile du réservoir.
- Nettoyez à fond le réservoir et l'aimant à l'aide d'un décapant adéquat.
- Enlevez le filtre collecteur pour le nettoyer. (Prendre bien soin à ne pas endommager le filtre lors du démontage.) Nettoyez l'écran en utilisant du solvant et une brosse molle. Réinstallez.
- Remontez la pompe et le réservoir, en installant un nouveau joint de réservoir.
- Remplissez le réservoir d'huile hydraulique Enerpac propre. Le réservoir est plein quand le niveau de l'huile est au milieu de la jauge visuelle (voir figure 4).

6.3 Changer l'élément filtrant (optionnel)

Un filtre de conduite d'aspiration peut être commandé comme accessoire de la pompe. L'élément filtrant doit être remplacé chaque 250 heures, ou plus fréquemment dans des environnements sales. Le collecteur du filtre est équipé d'un bipasse de 25 psi (1,7 bars) pour prévenir une rupture par surpression si le filtre est obstrué. Le numéro de la pièce de rechange de l'élément filtrant est PF-25.

6.4 Nettoyage du pot d'échappement

Lorsque la pompe fonctionne sur de longues périodes, il est possible qu'il faille enlever de la glace qui se forme sur le pot d'échappement. Pour nettoyer le pot d'échappement, dévisser et enlever les débris.

7.0 GUIDE DE DÉPANNAGE

Seulement les techniciens hydrauliques qualifiés doivent assurer l'entretien de la pompe ou des pièces du système. Une défaillance du système peut être ou non le résultat d'un mauvais fonctionnement de la pompe. Pour déterminer la cause du problème, le système entier doit être inclus dans la procédure de diagnostic.

Les informations suivantes sont prévues à être utilisées seulement comme une aide pour déterminer si un problème existe. Pour le service de réparations, mettez-vous en contact avec votre Centre local de service autorisé de Enerpac.

Guide de dépannage		
Problém	Possible Cause	Action
La pompe ne se met pas en marche	1. Pas d'amenée d'air ou conduite bloquée	1. Voir la section 5.0
Le moteur s'étouffe sous la charge	1. Pression d'air faible 2. Pot d'échappement bouché ; air contaminé	1. Voir la section 4.3 2. Voir la section 6.4
La pompe n'accumule pas de pression, ou en accumule moins que la pression maximale	1. Niveau bas de l'huile 2. La soupape de décharge fixée trop bas 3. Fuite externe dans le système 4. Fuite interne dans la pompe 5. Fuite interne dans la soupape 6. Fuite interne dans une pièce du système	1. Ajoutez de l'huile conformément à la section 4.4 2. Réglez conformément à la section 5.2 3. Vérifiez et réparez ou remplacez 4. Voir un centre de service autorisé 5. Voir un centre de service autorisé 6. Voir un centre de service autorisé
La pompe accumule la pression maximale, mais la charge ne bouge pas	1. Charge plus grande que la capacité du vérin à la pression maximale 2. Circulation vers le vérin bloquée	1. Réduisez la charge ou ajoutez une cylindrée 2. Vérifiez les coupleurs pour un embrayage complet
Le vérin revient à sa place tout seul	1. Fuite externe dans le système 2. Fuite interne dans une pièce du système 3. Soupape d'arrêt pilotée non-portante utilisée	1. Vérifiez toutes les connexions hydrauliques et remplacez ou réparez-les 2. Voir un centre de service autorisé 3. Voir un centre de service autorisé
Le vérin à simple effet ne revient pas	1. Pas de chargement sur un vérin de retour du chargement 2. La circulation de retour limitée ou bloquée 3. Soupape de blocage utilisée 4. Mauvais fonctionnement de la soupape 5. Le ressort de rappel du vérin rompu	1. Ajoutez de la charge 2. Vérifiez les coupleurs pour un embrayage complet 3. Mettez le moteur en marche en rétractant 4. Voir un centre de service autorisé 5. Voir un centre de service autorisé
Le vérin à double effet ne revient pas	1. La circulation de retour limitée ou bloquée 2. Soupape de blocage utilisée 3. Mauvais fonctionnement de la soupape	1. Vérifiez les coupleurs pour un embrayage complet 2. Mettez le moteur en marche en rétractant 3. Voir un centre de service autorisé
La pompe est chaude	1. Débit d'avance ou de rappel restreint 2. Température ambiante élevée	1. Contrôler que les coupleurs soient bien engagés. 2. Installer un échangeur thermique pour huile hydraulique

L2671 Rev. C 11/10

Das Ersatzteilblatt für dieses Produkt finden Sie auf der Enerpac Website www.enerpac.com, oder bei Ihrem nächstgelegenen autorisierten Enerpac Service Center oder einem Enerpac Vertriebsbüro.

1.0 WICHTIGE VERFAHRENSHINWEISE FÜR DEN EMPFANG:

Alle Komponenten auf sichtbare Transportschäden inspizieren. Transportschäden sind nicht von der Garantie gedeckt. Werden solche Schäden festgestellt, ist unverzüglich das Transportunternehmen zu verständigen. Das Transportunternehmen ist für alle Reparatur- und Ersatzkosten, die auf Transportschäden zurückzuführen sind, verantwortlich.

SICHERHEIT GEHT VOR

2.0 SICHERHEITSFRAGEN



Alle Anleitungen, Warnungen und Vorsichtshinweise sorgfältig durchlesen. Beachten Sie alle Sicherheitsvorkehrungen, um Verletzungen oder Sachschäden während des Systembetriebs zu vermeiden. Enerpac ist weder für Schäden noch Verletzungen haftbar, die durch einen fahrlässigen Gebrauch des Produkts, mangelhafte Instandhaltung oder eine unvorschriftsmäßige Anwendung des Produkts und/oder des Systems verursacht werden. Bei evtl. Fragen in bezug auf Sicherheitsvorkehrungen und Betriebsabläufe wenden Sie sich bitte an ENERPAC. Wenn Sie an keinerlei Sicherheitsschulungen im Zusammenhang mit Hochdruckhydraulikanlagen teilgenommen haben, fordern Sie von Ihrer Vertriebs- und Kundendienstzentrale einen kostenlosen Enerpac-Hydraulik-Sicherheitskurs an.

Ein Mißachten der folgenden Vorsichtshinweise und Warnungen kann zu Geräteschäden und Verletzungen führen.

Mit einem **VORSICHTSHINWEIS** wird auf ordnungsgemäße Betriebs- oder Wartungsverfahren und -praktiken hingewiesen, um Schäden an den Geräten oder anderen Sachwerten bzw. deren Zerstörung zu vermeiden.

Eine **WARNUNG** verweist auf eine potentielle Verletzungsgefahr, die durch ordnungsgemäße Verfahren oder Praktiken vermieden werden kann.

Ein **GEFAHRENSHINWEIS** wird nur dann gegeben, wenn eine bestimmte Handlung oder die Unterlassung einer bestimmten Handlung schwere oder tödliche Verletzungen zur Folge haben kann.



WARNUNG: Beim Betrieb hydraulischer Anlagen geeignete Schutzkleidung und -ausrüstung tragen.



WARNUNG: Von Lasten fernhalten, die durch ein Hydrauliksystem abgestützt werden. Ein als Lastenhebergerät eingesetzter Zylinder darf niemals als ein Lastenhaltergerät verwendet werden. Nach Heben oder Senken der Last muß diese stets auf mechanische Weise gesichert werden.



WARNUNG ZUM SICHERN VON LASTEN STETS NUR STARRE TEILE VERWENDEN. Zum Abstützen von Lasten sorgfältig dazu geeignete Stahl- oder Holzblöcke auswählen. Bei Hebe- oder Drückenwendungen keinesfalls einen Hydraulikzylinder als Abstandsstück oder -halter verwenden.



GEFAHR: Zur Vermeidung von Verletzungen während des Betriebs Hände und Füße von Zylinder und Werkstück fernhalten.



WARNUNG: Die zugelassene Nennleistung der Geräte nicht überschreiten. Keine Last zu heben versuchen, deren Gewicht das Hebevermögen des Zylinders übersteigt. Überlasten verursachen Maschinenausfälle und können zu Verletzungen führen. Die Zylinder wurden für einen max. Druck von 700 bar konstruiert. Keinen Heber oder Zylinder an eine Pumpe mit einer höheren nominalen Druckleistung anschließen.



Das Überdruckventil **keinesfalls** auf einen höheren Druck als den maximal zulässigen Druck der Pumpe einstellen. Höhere Einstellungen können zu Geräteschäden und/oder Verletzungen führen.



WARNUNG: Der Systembetriebsdruck darf den zulässigen Nominaldruck der Systemkomponente mit der niedrigsten Nennleistung nicht überschreiten. Zur Überwachung des Betriebsdrucks sind Manometer im System zu installieren. Dies ist das Fenster zu den Abläufen im System.



VORSICHT: Beschädigungen am Hydraulikschlauch vermeiden. Beim Verlegen der Hydraulikschläuche enge Bögen und Abknicken vermeiden. Der Einsatz eines gebogenen oder geknickten Schlauchs führt zu einem hohen Rückstau. Starke Biegungen und Knickstellen schädigen den Schlauch auf der Innenseite und führen zu dessen vorzeitigem Ausfall.



Keine schweren Gegenstände auf den Schlauch fallen lassen. Starke Erschütterungen können Schäden an den im Schlauchinnern verlaufenden Drahtlitzen verursachen. Ein Schlauch, auf den Druck ausgeübt wird, kann bersten.



WICHTIG: Hydraulische Geräte weder an den Schläuchen noch den Gelenkanschlüssen anheben. Dazu den Tragegriff oder eine andere sichere Transportmethode verwenden.



VORSICHT: Hydraulische Geräte von Flammen und Hitzequellen fernhalten. Zu hohe Temperaturen weichen Füllungen und Dichtungen auf und bewirken Flüssigkeitslecks. Große Hitze schwächt außerdem die Schlauchmaterialien und -dichtungen. Zur Gewährleistung einer optimalen Leistung darf die Anlage keinen Temperaturen über 65°C ausgesetzt werden. Außerdem müssen Schläuche und Zylinder beim Schweißen vor Funkenschlag geschützt werden.



GEFAHR: Do not handle pressurized hoses. Escaping oil under Nicht mit unter Druck stehenden Schläuchen hantieren. Unter Druck austretendes Öl kann in die Haut eindringen und schwere Verletzungen verursachen. Falls Öl unter die Haut gelangt, ist sofort ein Arzt aufzusuchen.



WARNUNG: In einem gekoppelten System dürfen nur Hydraulikzylinder verwendet werden. Niemals einen Zylinder mit unverbundenen Kupplungen verwenden. Bei einer extremen Überlastung des Zylinders können dessen Komponenten bersten, was schwere Verletzungen hervorrufen kann.



SICHERSTELLEN, DASS DIE ANLAGE STABILISIERST, BEVOR EINE LAST ANGEHOBE WIRD. Der Zylinder sollte auf einer ebenen Oberfläche aufsitzen, die fest genug ist, um die Last abzustützen. Wenn möglich einen Zylinderfuß verwenden, um größere Stabilität zu gewährleisten. Keine Schweißarbeiten oder andere Änderungen am Zylinder vornehmen, um einen Zylinderfuß oder andere Abstützungen anzubringen.



Situationen vermeiden, in denen die Lasten nicht direkt über dem Kolben des Zylinders ausgerichtet sind. Seitlich versetzte Lasten führen zu erheblicher Belastung der Zylinder und Kolben. Außerdem könnte die Last ins Rutschen geraten oder fallen, was zu äußerst gefährlichen Situationen führen kann.



Die Last gleichmäßig über die gesamte Fläche des Druckstückes verteilen. Den Kolben immer mit einem Druckstück schützen, wenn keine Zusatzgeräte mit Gewinde benutzt werden.



WICHTIG: Hydraulische Geräte müssen von einem qualifizierten Hydrauliktechniker gewartet werden. Bei Reparaturarbeiten an die autorisierte ENERPAC-Kundendienstzentrale der jeweiligen Region wenden. Zur Aufrechterhaltung der Garantie verwenden ENERPAC-Öl.



WARNUNG: Abgenutzte oder beschädigte Teile unverzüglich durch ENERPAC-Originalteile ersetzen. Standardteile anderer Hersteller versagen und verursachen Verletzungen und Sachschäden. ENERPAC-Teile werden so konstruiert, daß sie richtig passen und hohen Lasten standhalten.

Ex II 2 GD ck T4

Motorgröße (kW)	Volumenstrom (l/min)				Dynamischer Luftdruckbereich (bar)	Luftverbrauch (l/min)	Geräuschpegel bei 6,9 bar dynamisch (dBA)	Überdruckventil Einstellbereich (bar)
	7 bar	50 bar	350 bar	700 bar				
4*	13,9	11,0	1,8	1,3	4,1-6,9	566-2832	94-97	70-700

* Der tatsächliche Stromverbrauch hängt von der Anwendung ab. Siehe Abb. 1.



WARNUNG: Greifen Sie nicht in sich bewegende Teile und halten Sie sich von Druckschläuchen fern.

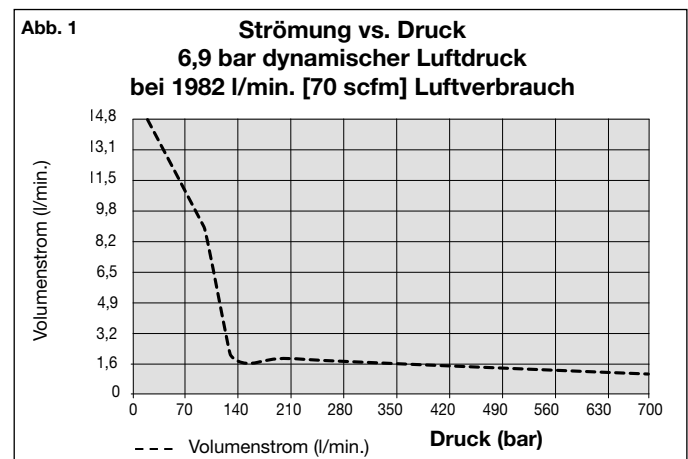


WARNUNG: Die Pumpen besitzen im Werk voreingestellte Überdruckventile, die nur durch eine zugelassene Vertragswerkstatt von Enerpac repariert oder eingestellt werden dürfen.

3.0 TECHNISCHE ANGABEN

3.1 Leistungsdiagramm (siehe Leistungsdiagramm weiter unten)

3.2 Flow-Charts (siehe Abb. 1)



4.0 EINBAU

Bauen Sie die Pumpe so ein, dass die Luftströmung um den Motor und die Pumpe nicht behindert wird. Halten Sie den Motor sauber, um maximale Kühlung während des Betriebs sicherzustellen.

4.1 Behälter-Entlüfterkappe (siehe Abb. 2)

Für den Versand ist eine Transportsicherung (A) am Entlüfteranschluss oben auf dem Behälter angebracht. Ersetzen Sie vor dem Gebrauch die Transportsicherung durch die Entlüfterkappe (B). HINWEIS: Der Entlüfteranschluss (B) ist von der Öleinfüllöffnung (C) getrennt. Die Öleinfüllöffnung (C) verwendet einen Stöpsel SAE Nr. 10.

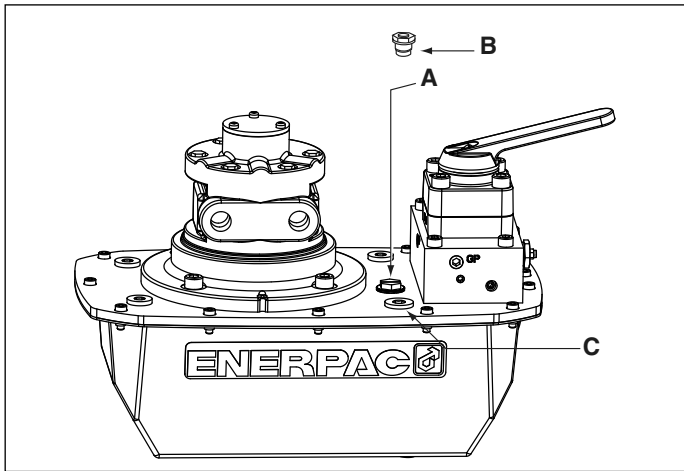


Abb. 2, ZA4 Einbau des Entlüfters

4.2 Pumpenbefestigung

In Abb. 3 finden Sie die Abmessungen für die Befestigung der Pumpe auf einer festen Fläche.

	4-8 L mm	10 L mm	20 L mm	40 L mm
A	240	305	421	505
B	95	279	396	480
C	414	446	446	446
D	229	305	305	305
E	73	13	13	13
F	92	71	71	71
G	M8, 12 mm (6) tief	Ø 8.6 Durchmesser Durchgangsloch		

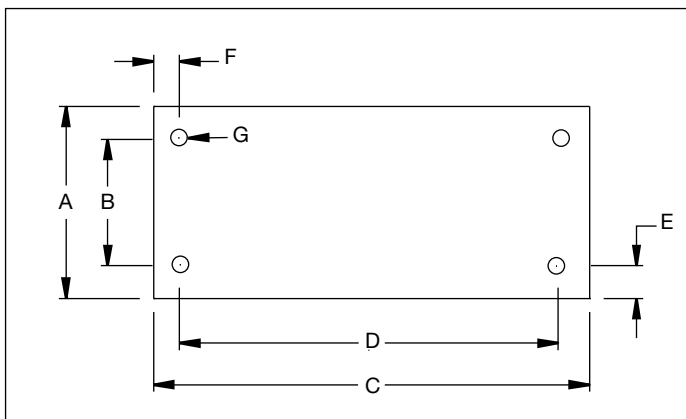


Abb. 3

4.3 Luftversorgungsleitungen

Pumpe erfordert 4,2 – 7 bar dynamischen Luftdruck bei 566 – 2832 l/min. [20 – 100 cfm]. Ein RFL-102 Regler-Filter-Schmierapparat sollte vor dem Lufteinlass eingebaut werden, um saubere, geschmierte Luft zu liefern und Einstellung des Luftdrucks zu ermöglichen. Befestigen Sie die ankommende Luftversorgung am 1/2" NPT-Anschluss am Luftventil.

4.4 Flüssigkeitspegel

Überprüfen Sie den Ölpegel der Pumpe vor dem Start. Geben Sie nötigenfalls Öl hinzu, indem Sie den Stöpsel SAE Nr. 10 von der Abdeckplatte entfernen (siehe Abb. 2). Der Behälter ist voll, wenn der Ölpegel im Sichtglas bis nach oben geht. (Abb. 4).

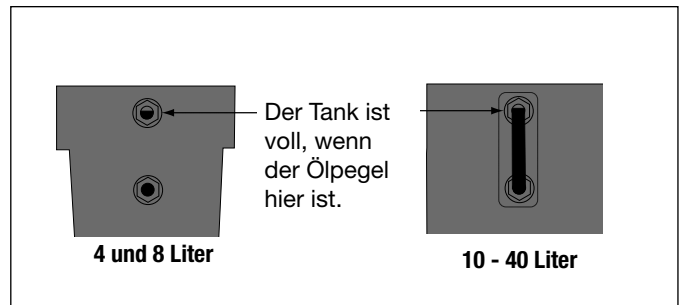
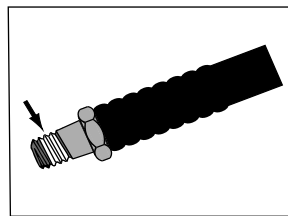


Abb. 4

WICHTIG: Fügen Sie nur Öl hinzu, wenn alle Systemkomponenten vollständig zurückgefahren sind, oder das System enthält mehr Öl als der Behälter fassen kann.)

4.5 Hydraulische Anschlüsse



Wickeln Sie Teflonband oder ein anderes geeignetes Dichtungsmaterial um die Anschlussstücke des Hydraulikschlauchs und lassen dabei die erste vollständige Windung frei von Band oder Dichtungsmaterial wie in Abb. 5 gezeigt.

Abb. 5

Introduisez le(s) tuyau(x) dans l'orifice(s) de sortie de la Schrauben Sie den Schlauch/die Schläuche in den Ausgangsanschluss/die Ausgangsanschlüsse des Ventils (Anschlüsse siehe Ventilgehäuse).

Ausfahrseitige Schlauchleitung an Ventilanschluss "A".

ausfahrseitige Schlauchleitung an Ventilanschluss "B" (falls zutreffend).

Manometer/Drucksensor an Ventilanschluss "GA, GB oder GP".

("GA" misst den Druck an Anschluss "A", "GB" misst den Druck an Anschluss "B", "GP" misst den Pumpendruck hinter dem pumpenseitigen Druckhalte-Ventil.)

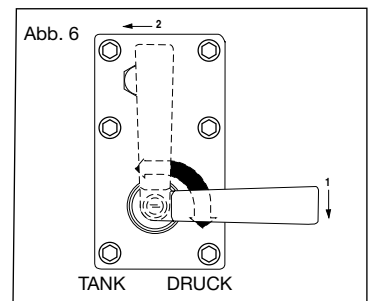
5.0 BETRIEB

1. Überprüfen Sie den Ölstand und fügen Sie nötigenfalls Öl hinzu.
2. Achten Sie darauf, dass die Transportsicherung entfernt und die Entlüfterkappe montiert wurde (Siehe Abschnitt 4.1).
3. Stellen Sie das manuelle Steuerventil (falls vorhanden) in die neutrale Position.
4. Schließen Sie das Gerät an die Luftversorgung an.
5. Um den Luftmotor zu starten, schieben Sie das Luftventil nach innen.
6. Um den Luftmotor zu stoppen, schieben Sie das Luftventil nach außen.

5.1 Manueller Ventilbetrieb

VM32 (siehe Abb. 6)

1. Ausfahren
2. Einfahren (Neutre)



VM33, VM33L, VM43, VM43L (See Voir 7)

1. Avancer
2. Rétracter
3. Neutre

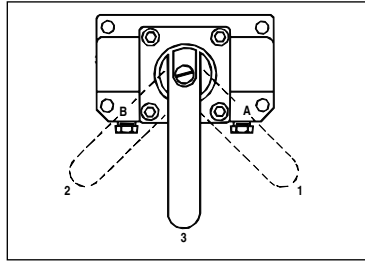


Abb. 7

5.2 Einstellen des Druckbegrenzungsventils

Pumpen der Z-Class sind mit einem einstellbaren Druckbegrenzungsventil ausgestattet (siehe Abb. 8). Es kann wie folgt eingestellt werden:

1. Installieren Sie ein Messgerät an der Pumpe.
2. Starten Sie die Pumpe, damit sich das Öl erwärmen kann.
3. Lösen Sie die Feststellmutter der Einstellschraube.
4. Verstellen Sie das Steuerventil und bauen Sie Druck im System auf. Drehen Sie mit Hilfe eines Inbusschlüssels die Einstellschraube entgegen dem Uhrzeigersinn, um den Druck zu verringern, und im Uhrzeigersinn, um den Druck zu erhöhen.
5. Ziehen Sie die Feststellmutter an, wenn der gewünschte Druck eingestellt ist.
6. Verstellen Sie das Steuerventil in die neutrale Position; dadurch kann der Systemdruck zu 0 psi/0 bar zurückkehren.
7. Überprüfen Sie die endgültige Druckeinstellung erneut, indem Sie das Steuerventil verstellen und das System unter Druck setzen.

HINWEIS: Um eine akkurate Einstellung zu erhalten, verringern Sie den Druck bis zu einem Punkt unter der endgültigen Einstellung und erhöhen Sie dann den Druck langsam, bis er die endgültige Einstellung erreicht.

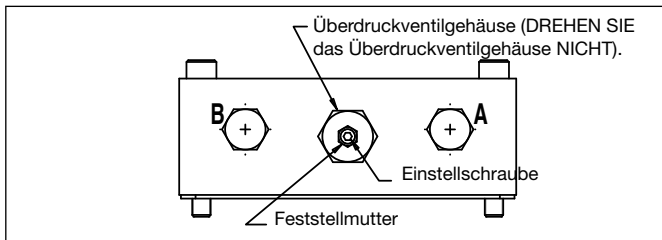


Figure 8

6.0 WARTUNG

Überprüfen Sie alle Systemkomponenten regelmäßig auf Lecks und Schäden. Reparieren oder ersetzen Sie beschädigte Komponenten.

6.1 Öl wechseln und Behälter reinigen

Enerpac HF-Öl hat eine klare blaue Farbe. Überprüfen Sie den Ölzustand regelmäßig auf Verunreinigung, indem Sie das Pumpenöl mit neuem Enerpac-Öl vergleichen. Als allgemeine Regel gilt, dass Sie den Behälter alle 250 Stunden entleeren und reinigen sollten. Es sollte häufiger geschehen, wenn die Pumpe in schmutzigen Umgebungen eingesetzt wird.

6.2 Öl wechseln und Behälter reinigen

Enerpac HF-Öl hat eine klare blaue Farbe. Überprüfen Sie den Ölzustand regelmäßig auf Verunreinigung, indem Sie das Pumpenöl mit neuem Enerpac-Öl vergleichen. Als allgemeine Regel gilt, dass Sie den Behälter alle 250 Stunden entleeren und reinigen sollten. Es sollte häufiger geschehen, wenn die Pumpe in schmutzigen Umgebungen eingesetzt wird.

HINWEIS: Für dieses Verfahren müssen Sie die Pumpe vom Behälter entfernen. Arbeiten Sie an einer sauberen Werkbank und entsorgen Sie das Altöl gemäß den örtlichen Vorschriften.

2. Schütten Sie das gesamte Öl aus dem Behälter.
3. Reinigen Sie den Behälter und den Magneten sorgfältig mit einem geeigneten Reinigungsmittel.
4. Entfernen Sie das Aufnahmefiltersieb für die Reinigung. (Ziehen Sie nicht am Sieb oder unten am Einlass, um mögliche Schäden zu vermeiden.) Reinigen Sie das Sieb mit Lösungsmittel und einer weichen Bürste. Bauen Sie es wieder ein.
5. Bauen Sie die Pumpe und den Behälter wieder zusammen und installieren Sie dabei eine neue Behälterdichtung.
6. Füllen Sie den Behälter mit sauberem Enerpac-Hydrauliköl. Der Behälter ist voll, wenn der Ölpegel sich in der Mitte des Sichtfensters befindet (siehe Abb. 4).

6.3 Ändern des Filterelements (optional)

Ein Rückleitungsfilter kann als Zubehörteil zur Pumpe bestellt werden. Das Filterelement sollte alle 250 Stunden ausgetauscht werden, in schmutzigen Umgebungen häufiger. Der Filterverteiler ist mit einem Umgehungsleitung mit 26 psi (1,7 Bar) ausgestattet, um ein Bersten durch Überdruck zu verhindern, wenn der Filter verstopft. Die Teilenummer für den Austausch des Filterelements ist PF-25.

6.4 Reinigen des Dämpfers

Wenn die Pumpe längerer Zeit läuft, kann sich Eis am Dämpferelement bilden, das entfernt werden muss. Um den Dämpfer zu reinigen, schrauben Sie ihn auf und entfernen Sie alle Fremdkörper.

7.0 FEHLERBEHEBUNG

(siehe Fehlerbehebungsleitfaden)

Nur qualifizierte Hydrauliktechniker sollten die Pumpe oder Systemkomponenten warten und reparieren. Ein Systemausfall kann oder das Ergebnis einer Fehlfunktion der Pumpe sein oder auch nicht. Um die Ursache des Problems festzustellen, muss das vollständige System in das Diagnoseverfahren einbezogen werden.

Die folgenden Informationen sind nur als Hilfe gedacht, um festzustellen, ob ein Problem vorliegt. Wenden Sie sich für die Reparatur an Ihr autorisiertes Enerpac-Servicecenter vor Ort.

Fehlerbehebungsleitfaden		
Problem	Mögliche Ursache	Maßnahme
Pumpe startet nicht	Luft ausgeschaltet oder Leitung blockiert	1. Näheres siehe Abschnitt 5.0 Betrieb
Motor stirbt unter Last ab	1. Niedriger Luftdruck 2. Dämpfer angeschlossen; verunreinigte Luft	1. Siehe Abschnitt 4.3 2. Siehe Abschnitt 6.4
Die Pumpe baut keinen oder weniger als den vollen Druck auf	1. Niedriger Ölpegel 2. Überdruckventil zu niedrig eingestellt 3. Externes Systemleck 4. Internes Leck in der Pumpe 5. Internes Leck im Ventil 6. Internes Leck in einer Systemkomponente	1. Öl gemäß Abschnitt 4.4 hinzufügen 2. Gemäß Abschnitt 5.2 einstellen 3. Überprüfen und reparieren oder austauschen 4. Wenden Sie sich an ein autorisiertes Servicecenter 5. Wenden Sie sich an ein autorisiertes Servicecenter 6. Wenden Sie sich an ein autorisiertes Servicecenter
Die Pumpe baut den vollen Druck auf, aber die Last bewegt sich nicht	1. Last größer als die Zylinderkapazität bei vollem Druck 2. Fluss zum Zylinder blockiert	1. Last verringern oder Zylinderkapazität hinzufügen 2. Kupplung auf vollstaendigen Eingriff überprüfen
Der Zylinder geht von selbst zurück	1. Externes Systemleck 2. Internes Leck in einer Systemkomponente 3. Nicht lasthaltendes Ventil eingesetzt	1. Alle hydraulischen Anschlüsse überprüfen und austauschen oder reparieren 2. Wenden Sie sich an ein autorisiertes Servicecenter 3. Wenden Sie sich an ein autorisiertes Servicecenter
Einfachwirkende Zylinder gehen nicht zurück	1. Keine Last auf einem einfachwirkenden Zylinder 2. Rückfluss eingeschränkt oder blockiert 3. Sperrventil verwendet 4. Ventilfehlfunktion 5. Zylinderrückholfeder gebrochen	1. Last hinzufügen 2. Kupplung auf vollstaendigen Eingriff überprüfen 3. Motor beim Einfahren laufen lassen 4. Wenden Sie sich an ein autorisiertes Servicecenter 5. Wenden Sie sich an ein autorisiertes Servicecenter
Doppeltwirkende Zylinder gehen nicht zurück	1. Rückfluss eingeschränkt oder blockiert 2. Sperrventil verwendet 3. Ventilfehlfunktion	1. Kupplung auf vollständiges Einrasten überprüfen 2. Motor beim Zurückziehen laufen lassen 3. Wenden Sie sich an ein autorisiertes Servicecenter
Die Pumpe läuft heiß	1. Vorlauf oder Rücklauf eingeschränkt 2. Hohe Umgebungstemperatur	1. Überprüfen Sie die Kupplung auf vollständiges Einrasten 2. Installieren Sie einen Wärmetauscher für hydraulisches Öl

L2671 Rev. C 11/10

L'esplosivo delle parti di ricambio per questo prodotto è ottenibile sul sito web www.enerpac.com, oppure chiamando il Centro Assistenza Autorizzato a voi più vicino, o il ns. ufficio commerciale.

1.0 ISTRUZIONI AL RICEVIMENTO

Controllare visivamente tutti i componenti per accertare eventuali danni derivanti dal trasporto. Se del caso, sporgere subito reclamo al trasportatore. I danni causati durante il trasporto non sono coperti dalla garanzia. Il trasportatore è responsabile degli stessi e deve rispondere di tutte le spese e costi per la rimessa in efficienza del materiale.

SICUREZZA ANZITUTTO

2.0 NORME SULLA SICUREZZA



Leggere attentamente tutte le istruzioni, le Precauzioni ed Avvertenze che si devono osservare durante l'impiego delle attrezzature. Rispettare tutte le norme di sicurezza per evitare infortuni alle persone e danni alle cose. L'ENERPAC non è responsabile per infortuni e danni causati dal mancato rispetto delle Norme di Sicurezza, dall'uso e dall'applicazione impropria del prodotto o dalla sua mancata manutenzione. In caso di dubbi sulla applicazione del prodotto o sulla Sicurezza, contattare l'ENERPAC. Se non si conoscono le Norme di Sicurezza per i Sistemi Oleodinamici ad Alta Pressione contattare l'ENERPAC o i suoi Rappresentanti per un corso gratuito di addestramento sulla Sicurezza.

L'inosservanza delle seguenti Norme di Sicurezza può causare infortuni alle persone e danni alle attrezzature.

PRECAUZIONE: Sta ad indicare la corretta procedura d'impiego o di manutenzione per evitare danni, anche irreparabili, dell'attrezzature e delle cose circostanti.

AVVERTENZA: Sta ad indicare un potenziale pericolo che richiede l'osservanza della procedura per evitare infortuni alle persone.

PERICOLO: E' usato solo quando una azione od una mancata azione può provocare gravi infortuni se non la morte.



AVVERTENZA: Durante l'impiego delle attrezzature oleodinamiche usare sempre gli indumenti protettivi appropriati.



AVVERTENZA: Non sostare sotto ai carichi sorretti oleodinamicamente. Quando si impiega un cilindro, oleodinamico, per sollevare od abbassare un carico, non deve mai essere utilizzato come sostegno permanente. Dopo ogni operazione di sollevamento od abbassamento, assicurare il carico meccanicamente.



AVVERTENZA: IMPIEGARE SUPPORTI SOLIDI PER IL SOSTEGNO DEI CARICHI. Scegliere blocchi in acciaio o legno idonei a sostenere il carico. Non usare mai il cilindro oleodinamico come cuneo o spessore nelle operazioni di sollevamento o pressatura.



PERICOLO Per evitare lesioni personali, tenere mani e piedi lontano dai cilindri oleodinamici durante il loro impiego.



AVVERTENZA: Non superare mai la potenza nominale dell'attrezzatura. Non tentare mai di sollevare un carico superiore alla capacità del cilindro. I sovraccarichi possono causare danni all'attrezzatura ed infortuni alle persone. I cilindri sono stati progettati per operare ad una pressione di 700 bar max. Non collegare mai i cilindri ad una pompa con pressione nominale maggiore.



MAI tarare la valvola regolatrice di pressione ad un valore superiore a quello nominale della pompa. Una taratura troppo alta può causare lesioni alle persone e danni alle attrezzature.



AVVERTENZA: La pressione max. di esercizio, in un circuito, non deve mai superare quella nominale del componente a pressione più bassa. Per controllare la pressione in un circuito, montare un manometro.



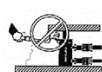
PRECAUZIONE: Evitare di danneggiare il tubo flessibile. Evitare curve strette e serpentine dei tubi flessibili. Curve troppo strette causano strozzature nella tubazione che possono dar luogo a pericolose contropressioni le quali ne compromettono la durata.



NON schiacciare i tubi flessibili. Lo schiacciamento od urto, con oggetti pesanti, possono danneggiare le spirali metalliche interne di rinforzo. Pressurizzare un tubo flessibile lesionato ne causa la rottura.



IMPORTANTE: Non usare il tubo flessibile od il giunto ruotante per sollevare le attrezzature. Servirsi delle maniglie di trasporto o di altri mezzi più sicuri.



PRECAUZIONE: Proteggere tutti i componenti oleodinamici da fonti di calore. Una temperatura elevata ammorbidisce le tenute, le guarnizioni ed il tubo flessibile, dando origine a perdite d'olio. Per un corretto funzionamento la temperatura dell'olio non deve superare i 65 °C. Proteggere i tubi flessibili ed i cilindri dagli spruzzi di saldatura.

PERICOLO: Non maneggiare i tubi flessibili sotto pressione. Spruzzi d'olio sotto pressione perforano la pelle causando serie complicazioni. Se l'olio è penetrato sotto pelle, consultare immediatamente un Medico.

AVVERTENZA: Impiegare i cilindri solo con innesti collegati. Non usare MAI i cilindri con gli innesti scollegati. Sovraccarichi incontrollati sui cilindri possono causare guasti gravissimi e lesioni alle persone.

AVVERTENZA: PRIMA DI PROCEDERE AL SOLLEVAMENTO DI UN CARICO, ASSICURARSI DELLA PERFETTA STABILITÀ DEI CILINDRI. I cilindri devono essere posizionati su una superficie piana, in grado di sorreggere il carico. Dove è possibile, impiegare la base d'appoggio per cilindri per aumentarne la stabilità. Non modificare in alcun modo i cilindri per collegarli o saldarli a supporti speciali.

Evitare l'impiego dei cilindri quando il carico non è centrato sul pistone. I carichi disassati generano dannose sollecitazioni per i cilindri, inoltre, il carico potrebbe slittare e cadere con conseguenze disastrose

Far appoggiare il carico sull'intera superficie della testina del pistone. Usare sempre le testine per proteggere lo stelo.

IMPORTANTE: La manutenzione delle attrezzature oleodinamiche deve essere affidata solo a tecnici qualificati. Per il servizio di assistenza tecnica, rivolgersi al Centro Assistenza Autorizzato ENERPAC di zona. Per salvaguardare la Vostra garanzia, usare solo olio ENERPAC.

AVVERTENZA: Sostituire immediatamente le parti usurate o danneggiate con ricambi originali ENERPAC. Le parti usurate si potrebbero rompere, causando lesioni alle persone e danni alle cose.



AVVERTENZA: Tenere le mani distanti dalle parti in movimento e dai tubi flessibili in pressione.



AVVERTENZA: Queste centraline sono dotate di valvole limitatrici di pressione tarate dal costruttore. Per la loro riparazione o taratura rivolgersi esclusivamente ad un Centro Assistenza autorizzato ENERPAC.

Ex II 2 GD ck T4

▼ TABELLA PRESTAZIONI

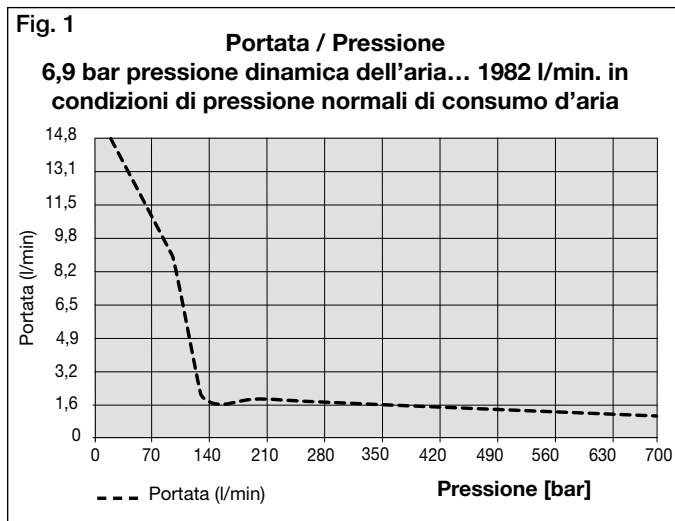
Potenza motore (hp)	Portata (cu ³ /min)				Campo di pressione dinamica dell'aria (bar)	Consumo d'aria (l/min)	Livello sonoro a 6,9 bar dinamici (dBA)	Regolazione valvola di max. pressione (bar)
	7 bar	50 bar	350 bar	700 bar				
4*	13,9	11,0	1,8	1,3	4,2-7	566-2832	94-97	70-700

* il consumo effettivo di corrente dipende dall'applicazione, vedere Fig. 1.

3.0 SPECIFICHE

3.1 Diagramma delle prestazioni (vedere il Diagramma delle prestazioni qui sotto).

3.2 Diagrammi della portata (vedere Fig. 1)



4.0 INSTALLAZIONE

Installare la pompa, posizionandola in modo da assicurare che il flusso dell'aria attorno al motore ed alla pompa non sia ostruito. Mantenere il motore pulito per assicurare il massimo raffreddamento durante il funzionamento.

4.1 Coperchietto ventilazione serbatoio (vedere Fig. 2)

Per la spedizione è stato installato un tappo (A) sul raccordo di ventilazione nella parte superiore del serbatoio. Prima di utilizzare la pompa sostituire detto tappo (A) con il tappo di ventilazione (B). Il raccordo di ventilazione (B) è separato dal raccordo di riempimento dell'olio (C). Il raccordo (C) di riempimento dell'olio usa un tappo SAE# 10.

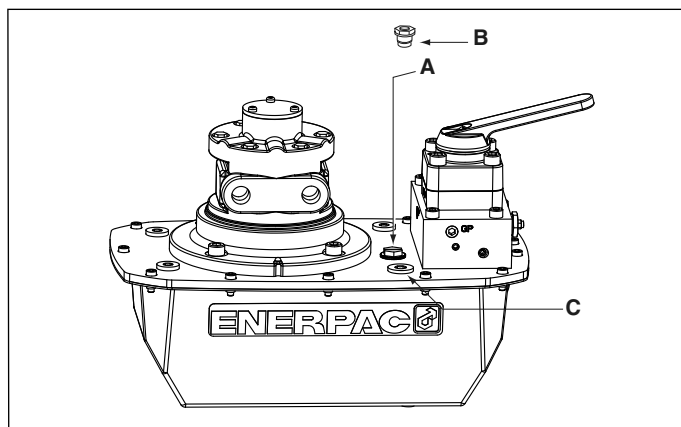


Figura 2, installazione sfiatatoio ZA3

4.2 Montaggio della pompa

Fare riferimento alla Fig. 3 per le dimensioni necessarie per il fissaggio della pompa ad una superficie fissa.

	4-8 L mm	10 L mm	20 L mm	40 L mm
A	240	305	421	505
B	95	279	396	480
C	414	446	446	446
D	229	305	305	305
E	73	13	13	13
F	92	71	71	71
G	M8, 12 mm 6 profondità	Ø 8.6 diametro foro passante		

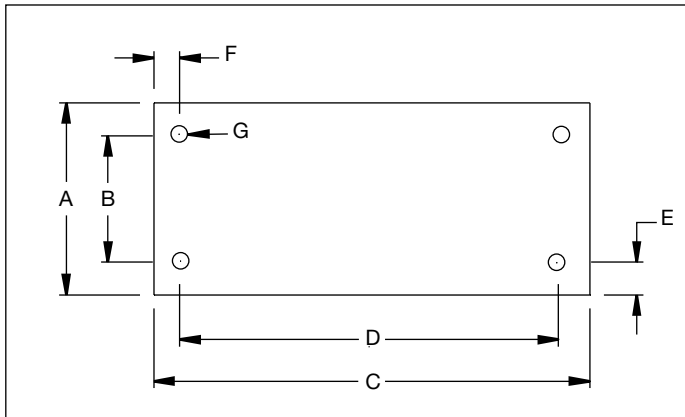


Fig. 3

4.3 Collegamenti alimentazione aria

La pompa necessita di una pressione dinamica dell'aria di 4,26 - 7,1 kg/cm² a 0,566-3,53 m³. Si dovrebbe installare a monte dell'entrata dell'aria un gruppo regolatore/filtro/lubrificatore RFL-102 per alimentare con aria pulita e lubrificata ed effettuare le regolazioni necessarie della pressione dell'aria. Collegare l'alimentazione dell'aria al raccordo 1/2" NPT (1,27 cm) della valvola dell'aria.

4.4 Livello dell'olio

Controllare il livello dell'olio della pompa prima di avviarla e se necessario aggiungere olio togliendo temporaneamente il tappo SAE #10 dalla piastra di copertura della pompa (vedere Fig. 2). Il serbatoio è pieno quando il livello raggiunge la parte superiore della spia dell'olio (vedere Fig. 4).

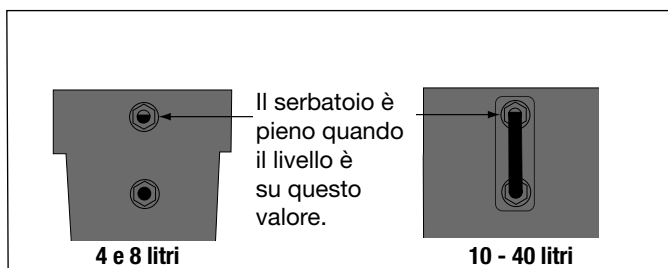


Fig. 4

IMPORTANTE: aggiungere l'olio solo quando tutti i componenti del sistema sono tornati a riposo, altrimenti il sistema conterrebbe più olio di quanto non ne possa contenere il serbatoio (e quindi i componenti non potrebbero tornare a riposo).

4.5 Collegamenti idraulici

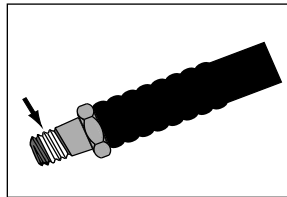


Fig. 5

Avvolgere il raccordo filettato del tubo flessibile per alta pressione con 1 e 1/2 giri di nastro di teflon o altro prodotto per la tenuta, lasciando completamente libero il primo filetto senza prodotto di tenuta, come mostrato in Fig. 5.

Avvitare il(i) raccordo(i) nel raccordo della valvola (vedere il corpo della valvola per l'identificazione).

Estendere il tubo flessibile al raccordo A della valvola.

Ritirare il tubo flessibile dal raccordo della valvola B.

Collegare i manometri al raccordo "GA", "GB" o "GP" della valvola.

("GA" significa pressione al raccordo A, "GB" pressione al raccordo B, "GP" pressione della pompa a valle del sistema di controllo).

5.0 FUNZIONAMENTO

1. Controllare il livello dell'olio della pompa ed aggiungere olio se necessario.
2. Accertarsi che il tappo montato per la spedizione sia stato tolto e sia stato installato al suo posto il coperchietto di sfiato (vedere la sezione 4.1).
3. Portare la valvola di comando (se é montata) in posizione neutra.
4. La pompa richiede da 4,2 a 7 bar di pressione dinamica dell'aria a 0,0160 mcm - 0,080 mcm.
5. Collegare l'unità all'alimentazione dell'aria.
6. Per fermare il motore dell'aria, fare scorrere la valvola verso l'esterno.

5.1 Funzionamento manuale della valvola

VM32 (vedere Fig. 6)

1. Avanzamento
2. Ritorno (Neutro)

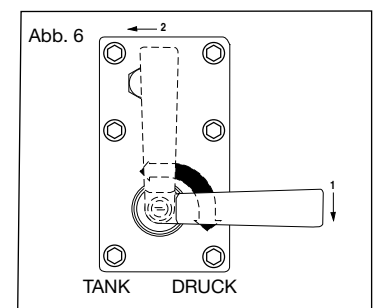


Fig. 6

VM33, VM33L, VM43, VM43L (vedere Fig. 7)

1. Avanzamento
2. Ritorno
3. Neutro

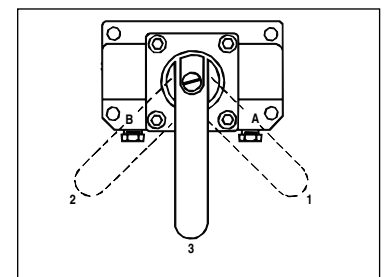


Fig. 7

5.2 Regolazione valvola di scarico

Le pompe Z-Class sono equipaggiate con una valvola regolabile da parte dell'utente (vedere la Figura 8). Essa può essere regolata come segue:

1. Installare un manometro sulla pompa.
2. Avviare la pompa per permettere all'olio di scaldarsi.
3. Allentare il dado di bloccaggio della vite di regolazione.
4. Sposare la valvola di controllo e creare la pressione nel sistema. Usando una chiave brugola, girare la vite di regolazione in senso antiorario per diminuire la pressione ed orario per aumentare la pressione.

NOTA: Per ottenere una regolazione accurata, diminuire la pressione fino ad un punto al di sotto della regolazione finale e quindi aumentare lentamente la pressione fino a che raggiunga la regolazione finale.

5. Stringere il dado di bloccaggio quando la pressione desiderata è stata regolata.
6. Spostare la valvola di controllo sulla posizione neutra, permettendo al sistema di ritornare a 0 bar.
7. Ricontrollare la regolazione della pressione finale spostando la valvola di controllo e pressurizzando il sistema.

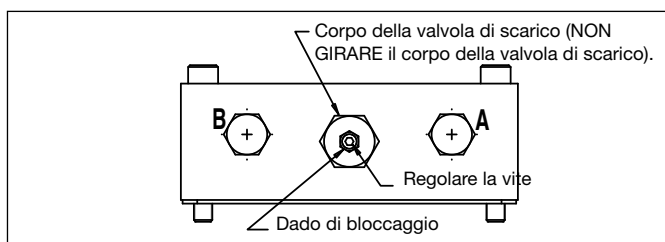


Fig. 8

6.0 MANUTENZIONE

Verificare frequentemente tutti i componenti del sistema per vedere se vi sono perdite o danni. Riparare o sostituire i componenti danneggiati.

6.1 Controllo del livello dell'olio

Controllare il livello dell'olio prima dell'avvio e, se necessario, rimboccare, togliendo il coperchio del raccordo di riempimento. Accertarsi sempre che i cilindri siano ritornati a riposo completamente, prima di rimboccare il serbatoio. Vedere la Fig. 2.

6.2 Cambio dell'olio e pulizia del serbatoio

L'olio Enerpac HF ha un colore blu vivo. Controllare frequentemente le condizioni dell'olio per quanto riguarda la sua contaminazione confrontandolo con il colore dell'olio nuovo non usato. Come regola generale, scaricare completamente l'olio dal serbatoio e pulirlo ogni 250 ore di funzionamento, o anche più frequentemente se è utilizzato in ambiente sporco.

NOTA: questa procedura richiede di togliere la pompa dal serbatoio. Lavorare su di un banco pulito ed eliminare l'olio conferendolo agli appositi centri di raccolta autorizzati

1. Svitare i 13 bulloni che fissano il coperchio al serbatoio e sollevare l'unità della pompa togliendola dal serbatoio. Agire con cura in modo da non danneggiare il filtro aspirazione olio.

2. Svuotare completamente il serbatoio dall'olio.
3. Pulire accuratamente il serbatoio ed il magnete con un detergente adatto.
4. Togliere lo schermo del filtro d'aspirazione per la pulizia. (non tirare direttamente sul filtro di aspirazione per evitare sul fondo per evitare possibili danni). Pulire lo schermo con un solvente ed un pennello morbido. Rimontare.
5. Montare una nuova guarnizione sul serbatoio e rimontare la pompa.
6. Riempire il serbatoio con olio idraulico Enerpac pulito. Il serbatoio è pieno quando il livello dell'olio è a metà della spia dell'olio (vedere la Fig. 4).

6.3 Cambio della cartuccia filtrante (opzionale)

Un filtro per la linea di ritorno dell'olio può essere ordinato come accessorio della pompa. La cartuccia filtrante dovrebbe essere cambiata ogni 250 ore di lavoro, o più frequentemente in ambienti sporchi. Il collettore del filtro è equipaggiato con un by-pass tarato ad 1,7 bar per impedire la rottura dovuta alla sovrappressione, se si verifica un intasamento del filtro. La cartuccia filtrante di ricambio ha il numero di riferimento PF 25.

6.4 Pulizia del silenziatore

Quando la pompa ha funzionato per un lungo periodo di tempo, sul silenziatore si possono formare delle formazioni di ghiaccio che debbono essere tolte. Per pulire il silenziatore svitarlo e togliere le impurità.

7.0 ELIMINAZIONE DIFETTI (vedere la guida all'eliminazione dei difetti)

Solo dei tecnici idraulici qualificati possono effettuare la manutenzione della pompa e dei componenti del sistema. Il mal funzionamento di un impianto non dipende esclusivamente dal guasto della centralina. Per individuare l'origine del problema si deve analizzare tutto il circuito idraulico.

L'informazione seguente è intesa solo come un aiuto per determinare se esiste un problema. Per la riparazione, contattare il Centro Manutenzione Enerpac autorizzato più vicino.

Guida all'eliminazione dei difetti		
Problema	Causa possibile	Rimedio
La pompa non si avvia	1. Si é chiusa l'alimentazione dell'aria o la linea é bloccata	1. Vedere la sezione 5.0 Funzionamento
Il motore va in stallo sotto carico	1. Bassa pressione dell'aria 2. Silenziatore tappato, aria contaminata	1. Vedere la sezione 4.3 2. Vedere la sezione 6.4
La pompa non crea pressione o manda una pressione inferiore alla massima	1. Basso livello dell'olio 2. Valvola di scarico regolata troppo bassa 3. Perdita esterna del sistema 4. Perdita interna del sistema 5. Perdita interna della valvola 6. Perdita interna di un componente del sistema	1. Aggiungere olio come da sezione 4.4 2. Regolare come da sezione 5.2 3. Ispezionare e riparare oppure sostituire 4. Contattare un centro di servizio autorizzato 5. Contattare un centro di servizio autorizzato 6. Contattare un centro di servizio autorizzato
La pompa crea la pressione, ma il carico non si sposta	1. Carico troppo grande per la capacità del cilindro a piena pressione 2. Mandata (portata) al cilindro bloccata	1. Ridurre il carico oppure aggiungere capacità al cilindro 2. Controllare gli accoppiatori per un impegno completo
Il pistone del cilindro torna indietro da solo	1. Perdita esterna del sistema 2. Perdita interna di un componente del sistema 3. Si è usata una valvola che non mantiene il carico	1. Ispezionare tutti i collegamenti idraulici e sostituire oppure riparare 2. Contattare un centro di servizio autorizzato 3. Contattare un centro di servizio autorizzato
Il pistone di un cilindro a semplice effetto non ritorna	1. Nessun carico in un cilindro con "carico di ritorno" 2. Flusso di ritorno strozzato o bloccato 3. Valvola di bloccaggio usurata 4. Disfunzione di una valvola 5. Molla di ritorno del pistone di un cilindro rotta	1. Aggiungere carico 2. Controllare gli accoppiatori per un impegno completo 3. Fare funzionare il motore mentre è in corso il ritorno dei pistoni 4. Contattare un centro di servizio autorizzato 5. Contattare un centro di servizio autorizzato
Il pistone di un cilindro a doppio effetto non ritorna	1. Flusso di ritorno bloccato o ristretto 2. Valvola di bloccaggio usurata 3. Disfunzione di una valvola	1. Controllare l'accoppiamento perfetto dei giunti 2. Far girare il motore in fase di scarico 3. Contattare un centro di servizio autorizzato
La pompa funzionando si riscalda	1. Flusso di avanzamento o ritorno impediti. 2. Alta temperatura ambiente	1. Controllare che i raccordi di accoppiamento siano perfettamente accoppiati 2. Installare uno scambiatore di calore per l'olio idraulico

L2671 Rev. C 11/10

Las hojas de despiece para este producto están disponibles en la página web de Enerpac en la dirección www.enerpac.com, o en su centro de Asistencia Técnica ó punto de venta Enerpac más cercano..

1.0 IMPORTANTES INSTRUCCIONES DE RECEPCIÓN

Inspeccione visualmente todos los componentes para verificar si hay daños producidos en el transporte. Debido a que la garantía no ampara daños en transporte, si los hubiese, infórme inmediatamente a la empresa de transportes, puesto que ésta es responsable de todos los gastos de reparaciones o reemplazo que resulten por daños producidos en el transporte.

SEGURIDAD PRIMERO

2.0 ASPECTOS DE SEGURIDAD



Lea todas las instrucciones, advertencias y precauciones. Acate todas las precauciones de seguridad para evitar lesiones o daños a la propiedad durante el funcionamiento del sistema. ENERPAC no puede ser responsable de daños o lesiones que resulten de no usar el producto de forma segura, falta de mantenimiento o aplicación incorrecta del producto y/u funcionamiento del sistema. Comuníquese con ENERPAC si tuviese dudas sobre las precauciones de seguridad o sobre las aplicaciones. Si nunca ha sido capacitado en seguridad hidráulica de alta presión, consulte a su distribuidor o centro de servicio para obtener un curso de seguridad gratis denominado ENERPAC Hydraulic.

El no cumplir con las siguientes precauciones y advertencias podría causar daños averías al equipo y lesiones.

Una **PRECAUCIÓN** se utiliza para indicar procedimientos y prácticas de uso o mantenimiento correctos para evitar daños o la destrucción de equipo u otra propiedad.

Una **ADVERTENCIA** indica un potencial peligro que requiere de procedimientos o prácticas correctos para evitar lesiones personales.

Un **PELIGRO** se utiliza sólo cuando su acción o falta de acción podría causar lesiones graves o incluso la muerte.



ADVERTENCIA: Use el equipo de protección personal adecuado cuando use equipo hidráulico.



ADVERTENCIA: Manténgase alejado de las cargas soportadas por sistemas hidráulicos. Cuando un cilindro se utiliza como dispositivo para levantar carga, nunca debería usarse como dispositivo para sostener carga. Después de que la carga haya sido levantada o descendida, debe bloquearse siempre en forma mecánica.



USE SÓLO PIEZAS RÍGIDAS PARA SOSTENER CARGAS. Seleccione cuidadosamente bloques de

acero o de madera capaces de soportar la carga. Nunca use un cilindro hidráulico como calzo o separador en aplicaciones de levantamiento o presión.



PELIGRO: Para evitar lesiones, mantenga las manos y los pies alejados del cilindro y pieza de trabajo durante el funcionamiento.



ADVERTENCIA: No sobrepase el valor nominal del equipo. Nunca intente levantar una carga más pesada que la fuerza del cilindro. Las sobrecargas ocasionan fallas del equipo y posibles lesiones. Los cilindros están diseñados para resistir una presión máxima de 700 bar. No conecte un gato o cilindro a una bomba cuyo valor nominal de presión es mayor que el indicado.



Nunca fije la válvula de seguridad a una presión más alta que el máximo valor nominal de presión de la bomba. Los ajustes más altos pueden resultar en daños al equipo y/o lesiones.



ADVERTENCIA: La presión de trabajo del sistema no debe sobrepasar el valor nominal de presión del componente con el valor nominal más bajo en el sistema. Instale manómetros de presión en el sistema para vigilar la presión de trabajo. Es su ventana a lo que está sucediendo en el sistema.



PRECAUCIÓN: Evite dañar la manguera hidráulica. Evite pliegues y curvas agudas al guiar las mangueras hidráulicas. Usar una manguera con pliegues o curvas puede causar severa contrapresión. Los pliegues y curvas agudas causarían daños internos la manguera, lo que ocasionará que ésta falle prematuramente.



No deje caer objetos pesados sobre la manguera. Un impacto directo puede dañar el trenzado metálico de la manguera. Aplicar presión a una manguera dañada puede ocasionar que se rompa.



IMPORTANTE: No levante el equipo hidráulico por las mangueras o acopladores giratorios. Utilice el asa de transporte u otros medios para transportarla con seguridad.



PRECAUCIÓN: Mantenga el equipo hidráulico alejado de las llamas y el calor. El calor en exceso ablandará las juntas, lo que resultará en fugas de líquidos. Asimismo, el calor debilita los materiales de la manguera

y juntas. Para lograr un rendimiento óptimo, no exponga el equipo a temperaturas de 65°C (150°F) o mayores. Proteja las mangueras y cilindros de salpicaduras de soldadura.



PELIGRO: No manipule mangueras bajo presión. El aceite que escape bajo presión puede penetrar la piel y causar lesiones graves. Si se inyecta aceite bajo la piel, consulte a un médico inmediatamente.



ADVERTENCIA: Use los cilindros hidráulicos siempre acoplados a sistemas. Nunca use un cilindro si los acopladores no están conectados. Si el cilindro se sobrecarga, los componentes pueden fallar súbitamente, lo que causaría lesiones personales graves.



ADVERTENCIA: Asegúrese que el equipo sea seguro antes de levantar la carga. El cilindro debe colocarse sobre una superficie plana capaz de soportar la carga. De ser necesario, utilice una base de cilindro para mayor estabilidad. No suelde ni modifique el cilindro en modo alguno para fijarle una base u otro medio de soporte.



Evite las situaciones en las cuales las cargas no estén directamente centradas sobre el émbolo del cilindro. Las cargas descentradas producen un esfuerzo considerable sobre los cilindros y los émbolos. Además, la carga podría resbalar o caerse, creando situaciones potencialmente peligrosas.



Distribuya la carga uniformemente sobre toda la superficie de asiento. Siempre utilice una silleta para proteger el émbolo cuando no se usen accesorios roscados.



IMPORTANTE: Únicamente técnicos calificados en sistemas hidráulicos habrán de prestarle servicio al equipo hidráulico. Comuníquese con el Centro de Servicio ENERPAC autorizado en su zona para prestarle servicio de reparaciones. Use únicamente aceite ENERPAC a fin de proteger su garantía.



ADVERTENCIA: Reemplace inmediatamente las piezas gastadas o dañadas por piezas ENERPAC genuinas. Las piezas de calidad corriente se romperán, lo que causará lesiones y daños a la propiedad. Las piezas ENERPAC están diseñadas para encajar debidamente y resistir grandes cargas.



ATENCIÓN: Mantener las manos alejadas de las piezas en movimiento y de las mangueras presurizadas.

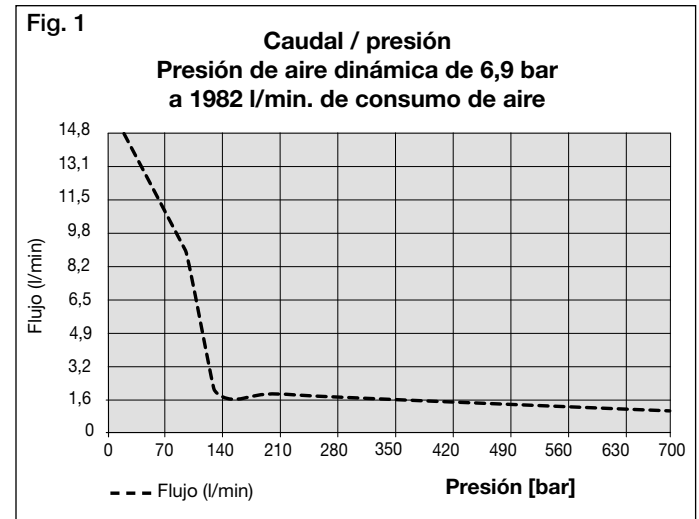


ATENCIÓN: Estas bombas tienen válvulas reguladoras de presión instaladas en fábrica que no han de ser reparadas o reajustadas salvo por un Centro de Servicio Técnico Autorizado de Enerpac.

3.0 ESPECIFICACIONES

3.1 Tabla de Rendimientos (véase la Tabla de Rendimientos más abajo)

3.2 Tablas de caudales (véase Figura 1)



4.0 INSTALACIÓN

Instalar o situar la bomba para asegurar que no se obstruya el flujo de aire alrededor del motor y de la bomba. Mantener limpio el motor para asegurar el máximo enfriamiento durante el funcionamiento.

4.1 Tapón de aireación del Depósito (véase Figura 2)

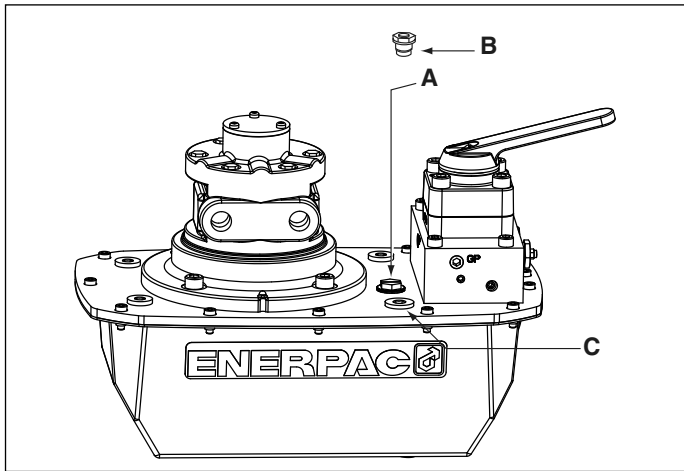
Para el transporte, se instala un tapón (A) en la conexión de aireación de la parte superior del depósito. Antes de usar, reemplazar el tapón de transporte por el de aireación (B). NOTA: Las conexiones de aireación (B) y llenado del aceite (C) están separadas. El tapón de llenado de aceite (C) lleva un tapón SAE #10.

Ex II 2 GD ck T4

▼ TABLA DE PRESTACIONES ZA4

Potencia del Motor (kw)	Caudal de salida (l/min)				Gama de presiones de aire dinámicas (bar)	Consumo de aire (l/min)	Nivel sonoro a 6,9 bar dinámicos (dBA)	Válvula de descarga Ajuste de presión (bar)
	7 bar	50 bar	350 bar	700 bar				
3*	13,9	11,0	1,8	1,3	4,1-6,9	566-2932	94-97	70-700

* El consumo de aire real depende de la aplicación.



Instalación del tapón de aireación ZA4

4.2 Montaje de la Bomba

Refiérase a la Figura 3 para las dimensiones del montaje con objeto de asegurar la bomba a una superficie fija.

	4-8 L mm	10 L mm	20 L mm	40 L mm
A	240	305	421	505
B	95	279	396	480
C	414	446	446	446
D	229	305	305	305
E	73	13	13	13
F	92	71	71	71
G	M8, 12 mm (6) profundidad	Ø 8.6 diámetro del orificio pasante		

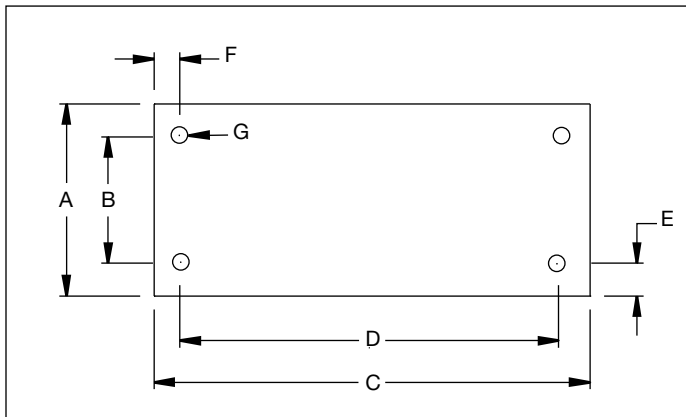


Figura 3

4.3 Conexiones del suministro de aire

La bomba requiere una presión de aire dinámica de 4,2-7 bar a 20-100 cfm. El regulador-filtro-lubricador RFL-102 debe instalarse en posición ascendente desde la entrada de aire para proporcionar aire limpio y lubricado, y permitir el ajuste de la presión de aire. Conectar el suministro de aire a la toma NPT 1/2" de la válvula de aire.

4.4 Nivel de Fluido

Comprobar el nivel de aceite de la bomba con anterioridad a su arranque; en caso necesario, añadir aceite retirando el tapón

SAE #10 de la placa de la cubierta protectora (véase Fig. 2). El depósito está lleno cuando el nivel del aceite alcance la parte superior de la mirilla. (Fig. 4).

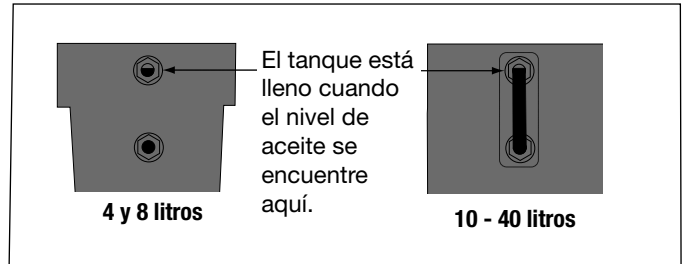


Figura 4

IMPORTANTE: Añada aceite sólo cuando se hayan ratraído completamente todos los componentes del sistema o el sistema contendrá más aceite que pueda caber en el depósito.

4.5 Conexiones Hidráulicas

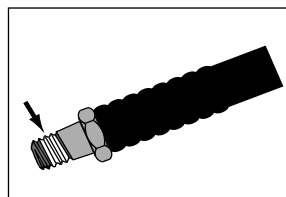


Figura 5

Aplique 1-1/2 vueltas de cinta de teflón u otro material sellador a la rosca del racor de la manguera hidráulica, dejando el primer hilo sin cinta ni material sellador como se muestra en la Figura 5.

Rosca la(s) manguera(s) las conexiones de salida (véase el cuerpo de la válvula para identificar la conexión).

Manguera de avance a la conexión "A" de la válvula.

Manguera de retroceso a la conexión "B" de la válvula (si existe).

Manómetro al puerto "GA, GB, o GP" de la válvula.

("GA" para medir la presión en "A", "GB" para medir la presión en "B", "GP" para medir la presión después del antirretorno de la bomba por debajo de la comprobación del sistema)

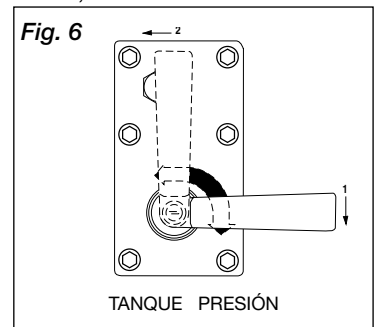
5.0 FUNCIONAMIENTO

1. Comprobar el nivel de aceite de la bomba y, si es necesario, añadir aceite.
2. Asegurarse de que se haya retirado el tapón de transporte y colocado la tapa del conducto de aireación. (Véase Sección 4.1.)
3. Poner la válvula de control manual (si el sistema la tiene) en la posición Neutral.
4. Conectar la unidad al suministro de aire.
5. Para encender el motor del aire, deslizar la válvula de aire hacia adentro.
6. Para parar el motor neumático, deslizar la válvula de aire hacia afuera.

5.1 Funcionamiento de la válvula manual

VM32 (Véase Fig. 6)

1. Avanzar
2. Retroceder (Neutral)



VM33, VM33L, VM43, VM43L (Véase Fig. 7)

1. Avanzar
2. Retroceder
3. Neutral

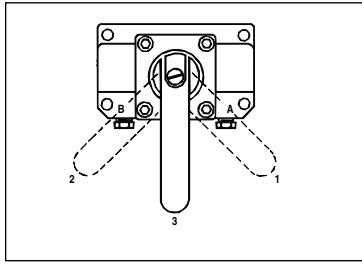


Figura 7

5.2 Ajuste de la válvula de alivio

Las bombas Z-Class están equipadas con una válvula de alivio ajustable por el usuario (véase Figura 8.) Puede ajustarse de la forma siguiente:

1. Instalar un manómetro en la bomba.
2. Arrancar la bomba para que el aceite vaya calentándose.
3. Aflojar la contratuerca del tornillo de ajuste.
4. Cambiar la posición de la válvula de control y presurizar el sistema. Usando una llave hexagonal (Allen), girar el tornillo de ajuste en sentido antihorario para reducir la presión o en sentido horario para aumentarla.

NOTA: Para lograr un ajuste preciso, reducir la presión hasta un valor inferior al del ajuste final y aumentarla a continuación lentamente hasta el punto de ajuste definitivo.

5. Apretar la contratuerca una vez establecida la presión deseada.
6. Cambiar la válvula de control a la posición neutral, dejando que la presión del sistema disminuya de nuevo hasta 0 bar.
7. Comprobar de nuevo el ajuste de presión final cambiando la posición de la válvula de control para presurizar el sistema

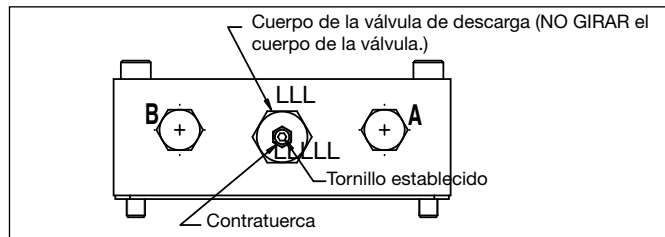


Figura 8

6.0 MANTENIMIENTO

Revisar con frecuencia todos los componentes del sistema en busca de fugas o daños. Reparar o sustituir los componentes dañados.

6.1 Comprobar el Nivel de Aceite

Comprobar el Nivel de Aceite de la bomba antes de arrancarla y añadir aceite, en caso necesario, retirando el tapón de llenado. Estar siempre seguro de que los cilindros estén completamente retraídos. antes de añadir fluido al depósito. Véase Figura 2.

6.2 Cambiar el Aceite y Limpiar el Depósito

El aceite Enerpac HF es de un color azul nítido. Comprobar con frecuencia el estado del aceite en busca de contaminación comparando el aceite de la bomba con aceite Enerpac nuevo. Como norma general, vacíe completamente y limpie el depósito cada 250 horas o con mayor frecuencia en ambientes sucios.

NOTA: Este procedimiento exige retirar la bomba del depósito. Trabajar en un banco limpio y eliminar el aceite usado de conformidad con los códigos locales.

1. Soltar los 13 tornillos que sujetan la placa de cierre al depósito y sacar la bomba del mismo, cuidando de no dañar la malla del filtro.
2. Vaciar el depósito.
3. Limpiar cuidadosamente el depósito y el imán con un agente limpiador adecuado.
4. Retirar la malla del filtro de aspiración para su limpieza. (No tirar de la malla o de la parte inferior de la toma de entrada para evitar daños posibles.) Limpiar la malla con disolvente y un cepillo blando. Reinstalar.
5. Volver a montar la bomba en el depósito, colocando una junta nueva.
6. Llenar el depósito con aceite hidráulico limpio Enerpac. El depósito está lleno cuando el nivel del aceite está a la mitad del indicador visual de nivel (Véase Figura 4).

6.3 Cambio del Elemento del Filtro (opcional)

Se puede encargar un filtro para la línea de retorno como accesorio para la bomba. El elemento del filtro debe reemplazarse cada 250 horas o con mayor frecuencia en ambientes sucios. El filtro tiene un by-pass que abre a 25 psi (1,7 bar) para evitar roturas por sobrepresión si se obstruye el mismo. El número del repuesto del elemento del filtro es PF-25.

6.4 Limpieza del Silenciador

Cuando la bomba funcione durante mucho tiempo, se puede formar hielo en el silenciador y deberá eliminarse. Para limpiar el silenciador, aflojar y retirar cualquier suciedad.

7.0 SOLUCIÓN DE PROBLEMAS (véase la Guía de Solución de Problemas)

La bomba o los componentes del sistema sólo deberían ser mantenidos por técnicos hidráulicos cualificados. Puede ser, o no, que un fallo del sistema sea consecuencia de un mal funcionamiento de la bomba. Para determinar la causa del problema, el sistema completo debe incluirse en cualquier procedimiento de diagnóstico.

Se pretende que la siguiente información se use sólo como ayuda para determinar la existencia de un problema. Para el servicio de reparaciones, contactar con el Centro de Mantenimiento local Enerpac Autorizado.

Guía de Solución de Problemas		
Problema	Causa Posible	Actuación
La bomba no arranca	1. Aire cerrado o línea bloqueada	1. Véase apartado 5.0 Funcionamiento
El motor se para bajo carga	1. Presión de aire baja 2. Silenciador obstruido, aire contaminado	1. Véase apartado 4.3 2. Véase apartado 6.4
La presión no sube ó no llega al máximo	1. Bajo nivel de aceite 2. Válvula de seguridad ajustada a presión demasiado baja 3. Fuga externa del sistema 4. Fuga interna de la bomba 5. Fuga interna de la válvula 6. Fuga interna en un componente del sistema	1. Añadir aceite conforme al apartado 4.4 2. Ajustar conforme al apartado 5.2 3. Inspeccionar y reparar o reemplazar 4. Véase centro autorizado de mantenimiento 5. Véase centro autorizado de mantenimiento 6. Véase centro autorizado de mantenimiento
La presión sube y llega al máximo pero la carga no se mueve	1. Carga superior a la fuerza del cilindro a máxima presión 2. Flujo al cilindro bloqueado	1. Reducir carga o usar cilindros de más fuerza 2. Comprobar que los racores de conexión rápida están bien acoplados
El cilindro retorna por sí mismo	1. Fuga externa del sistema 2. Fuga interna en un componente del sistema 3. Válvula sin retención de carga	1. Inspeccionar todas las conexiones hidráulicas y reemplazar o reparar 2. Véase centro autorizado de mantenimiento 3. Véase centro autorizado de mantenimiento
El cilindro de simple efecto no retorna	1. Sin carga en un cilindro de “retorno por carga” 2. Flujo de retorno restringido o bloqueado 3. La válvula tiene bloqueo 4. Mal funcionamiento de la válvula 5. Muelle de retorno del cilindro roto	1. Añadir carga 2. Comprobar si los acopladores están bien conectados 3. Poner en marcha el motor durante el retroceso 4. Véase centro autorizado de mantenimiento 5. Véase centro autorizado de mantenimiento
El cilindro de doble efecto no retorna	1. Flujo de retorno restringido o bloqueado 2. La válvula tiene bloqueo 3. Mal funcionamiento de la válvula	1. Comprobar ganchos para un acoplamiento completo 2. Poner en marcha el motor durante el retroceso 3. Véase centro autorizado de mantenimiento
La bomba se calienta	1. Flujo de avance o retroceso restringido 2. Temperatura ambiente elevada	1. Comprobar si los acopladores están bien conectados 2. Instalar un intercambiador de calor para el aceite hidráulico

L2671 Rev. C 11/10

Reparatie/Onderdelenlijsten voor deze producten zijn te downloaden van de Enerpac Website www.enerpac.com of verkrijgbaar via uw Enerpac Service Centre of vertegenwoordiger.

1.0 BELANGRIJKE INSTRUCTIES BIJ ONTVANGST

Controleer visueel alle onderdelen op schade opgelopen tijdens de verzending. Schade opgelopen tijdens de verzending wordt niet door de garantie gedekt. Als schade opgelopen tijdens de verzending wordt gevonden, de transporteur hier onmiddellijk van op de hoogte stellen. De transporteur is verantwoordelijk voor alle reparatie- of vervangingskosten als gevolg van opgelopen schade tijdens de verzending.

VEILIGHEID VOOROP

2.0 VEILIGHEIDSKWESTIES



Lees nauwkeurig alle instructies, waarschuwingen en let op-gedeelten. Volg alle veiligheidsvoorzieningen om persoonlijk letsel of schade aan eigendom te voorkomen als het systeem in werking is. Enerpac kan niet verantwoordelijk worden gesteld voor schade of letsels als gevolg van onveilig gebruik van dit product, gebrek aan onderhoud, of onjuiste toepassing van het product of het systeem. Neem contact op met Enerpac mocht u twijfels hebben over veiligheidsvoorzieningen en werkingen. Als u nooit een opleiding in hogedruk hydraulische veiligheid hebt gevolgd neem dan contact op met uw verdeel- of servicecentrum voor een gratis veiligheidskursus van Enerpac Hydraulic.

Het niet volgen van deze waarschuwingsboodschappen en voorzorgsmaatregelen kan schade aan de machine en persoonlijk letsel veroorzaken.

LET OP wordt gebruikt om correcte bedienings- en onderhoudsprocedures en praktijken aan te duiden om schade aan, of vernietiging van, machines of andere eigendom te voorkomen.

WAARSCHUWING wijst op een mogelijk gevaar dat de juiste procedures en praktijken vereist om persoonlijk letsel te voorkomen.

GEVAAR wordt enkel gebruikt als uw actie of gebrek aan actie ernstig letsel of zelfs de dood tot gevolg kan hebben.



WAARSCHUWING: Draag de juiste persoonlijke beschermende kleding bij het werken met hydraulische machines.



WAARSCHUWING: Blijf uit de buurt van ladingen die hydraulisch worden ondersteund. Een cilinder die wordt gebruikt als een hefinrichting mag nooit worden gebruikt als een lasthouder. Nadat de lading omhoog of omlaag is gebracht, moet deze altijd mechanisch worden geblokkeerd.



WAARSCHUWING: GEBRUIK ENKEL STIJVE MATERIALEN OM DE LADINGEN VAST TE HOUDEN.

Kies met zorg stalen of houten blokken die een lading kunnen ondersteunen. Gebruik nooit een hydraulische cilinder als



een pakkingschijf of een afstandstuk in enige toepassing waarbij opheffen of drukken wordt gebruikt.



GEVAAR: Om persoonlijk letsel te voorkomen, handen en voeten weghouden van de cilinder en het werkstuk tijdens de bediening.



WAARSCHUWING: Niet de nominale waarden van de machines overschrijden. Probeer nooit om een lading op te heffen die meer weegt dan de capaciteit van de cilinder. Overladen veroorzaakt falen van de machine en mogelijk persoonlijk letsel. De cilinders zijn ontworpen voor een maximale druk van 700 bar. Geen vijzel of cilinder op een pomp aansluiten die een hogere drukwaarde heeft.



Nooit de ontlastklep instellen op een hogere druk dan de maximaal nominale druk van de pomp. Hogere instellingen kunnen schade aan de machine en/of persoonlijk letsel tot gevolg hebben.



WAARSCHUWING: De bedieningsdruk van het systeem mag de nominale drukwaarde van het onderdeel met de laagste waarde in het systeem niet overschrijden. Installeer drukmeters in het systeem om de bedieningsdruk te controleren. Op die manier weet u wat er in het systeem gebeurt.



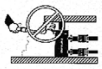
LET OP: De hydraulische slang niet beschadigen. Vermijd ombuigen en knikken bij het aanbrengen van de hydraulische slangen. Een gebogen of geknikte slang gebruiken kan ernstige tegendruk van de afvoerstream veroorzaken. Scherpe ombuigingen en knikken beschadigen de slang aan de binnenkant wat tot vroegtijdig falen van de slang kan leiden.



Geen zware objecten op de slang laten vallen. Een scherpe impact kan interne schade aan de draadvezels van de slang veroorzaken. Druk uitoefenen op een slang die beschadigd is, kan scheuren van de slang tot gevolg hebben.



BELANGRIJK: : Hydraulische machines niet bij de slangen of de wartelkoppelingen opheffen. Gebruik de draaghandgreep of een ander middel om de machine veilig te transporteren.



LET OP: Houd de hydraulische machine weg van vlammen en hitte. Buitenmatige hitte verzacht de pakkingen en afdichtingen wat tot vloeistoflekken kan leiden. Hitte verzwakt ook slangmaterialen en pakkingen. Voor optimale prestaties of machines niet blootstellen aan temperaturen van 65°C (150°F) of hoger. Bescherm slangen en cilinders tegen lasspeters.



GEVAAR: Slangen die onder druk staan, niet aanraken. Als olie die onder druk staat ontsnapt, kan het door de huid dringen wat ernstige letsel kan veroorzaken. Als olie onder de huid wordt geïnjecteerd, onmiddellijk een arts raadplegen.



WAARSCHUWING: Gebruik hydraulische cilinders enkel in een aangesloten systeem. Nooit een cilinder gebruiken met koppelingen die niet aangesloten zijn. Als de cilinder uiterst overladen is, kunnen onderdelen op een catastrofistische manier falen wat ernstig persoonlijk letsel kan veroorzaken.



WAARSCHUWING: Zorg dat de apparatuur stabiel is opgezet alvorens lasten te heffen. De cilinder dient op een vlakke ondergrond geplaatst te worden die de last kan dragen. Gebruik waar mogelijk een ondersteuning voor de cilinder voor extra stabiliteit. De cilinder mag niet gelast of op een andere manier aangepast worden voor het bevestigen van een voetstuk of andere ondersteuning.



Vermijd situaties, waarbij de last niet aangrijpt in het hart van de cilinderplunjer. Niet-centrisch aangrijpende lasten veroorzaken aanzienlijke spanningen in de cilinder en de plunjer. Bovendien kan de last wegglijden of vallen, wat tot gevaarlijke situaties leidt.



Verdeel de last gelijkmatig over het gehele zadeloppervlak. Gebruik altijd een zadel om de plunjer te beschermen, wanneer geen hulpstukken met schroefdraad worden gebruikt.



BELANGRIJK: Hydraulische machines mogen enkel door een bevoegd hydraulisch technicus van onderhoud worden voorzien. Voor reparaties dient u contact op te nemen met een nabijgelegen bevoegd ENERPAC servicecentrum. Om uw garantie te beschermen, enkel ENERPAC olie gebruiken.



WAARSCHUWING: Immediately replace worn or damaged parts by genuine Eversleten of beschadigde onderdelen onmiddellijk met authentieke ENERPAC onderdelen vervangen. Standaardonderdelen breken, wat tot persoonlijk letsel en schade aan eigendom kan leiden. ENERPAC onderdelen zijn zodanig ontworpen dat ze precies passen en hoge ladingen kunnen weerstaan.



WAARSCHUWING: Houd de handen weg van bewegende onderdelen en onder druk staande slangen.

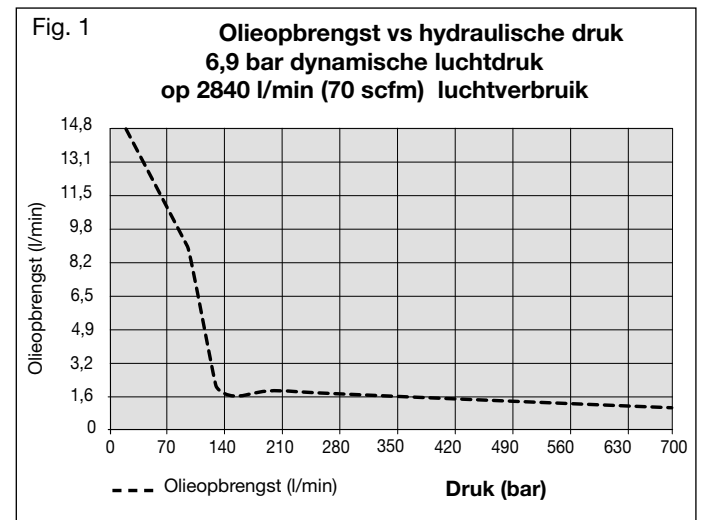


WAARSCHUWING: Deze pompen zijn voorzien van door de fabriek ingestelde ontlastkleppen die uitsluitend mogen worden gerepareerd of afgesteld door een erkend Enerpac Service Center.

3.0 SPECIFICATIES

3.1 Prestatietabel (zie prestatietabel hieronder)

3.2 Olieopbrengstdiagrammen (zie figuur 1)



4.0 INSTALLATIE

Plaats of installeer de pomp zodanig, dat er een vrije luchtstroom is rond de motor en de pomp. Houd de motor schoon voor maximale koeling tijdens de werking.

4.1 Ontluchtingsdop reservoir (zie figuur 2)

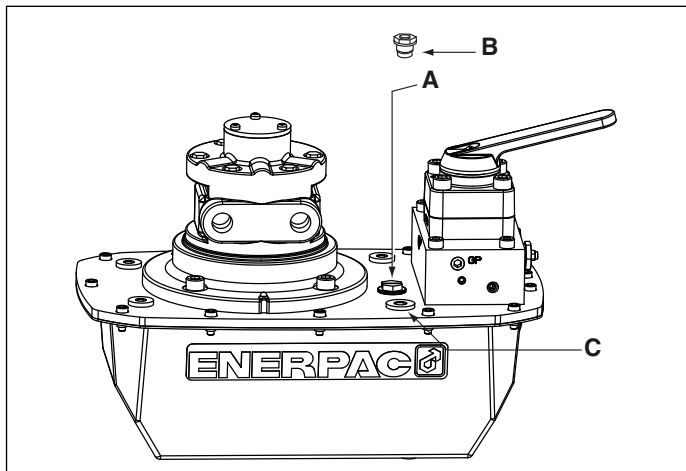
Voor veilig vervoer is op de ontluchtingspoort bovenin het reservoir een transportdop (A) aangebracht. Voor gebruik dient de transportdop door de ontluchtingsdop (B) te worden vervangen. N.B.: De ontluchtingspoort (B) is gescheiden van de oliepoort (C). Op de oliepoort (C) past een SAE 10 dop.

Ex II 2 GD ck T4

▼ PRESTATIETABEL ZA4

Motor vermogen (kw)	Uitstroomsnelheid (l/min)				Dynamisch luchtdrukber-eik (bar)	Luchtverbruik l/min (scfm)	Geluidsniveau op bij op 7 bar (100 psi) dynamisch (dBA)	Instelbare pomdruk (bar)
	7 bar	50 bar	350 bar	700 bar				
4*	13,9	11,0	1,8	1,3	4,1-6,9	20-100 (566-2832)	94-97	70-700

* Daadwerkelijke stroomverbruik is afhankelijk van de toepassing. Zie figuur 1.

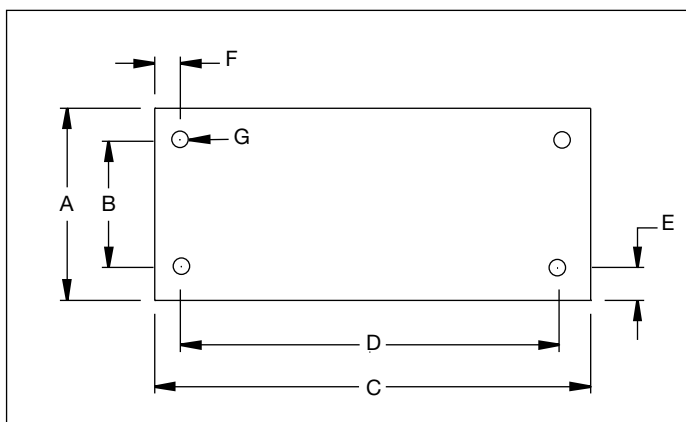


Figuur 2, ZA4 Ontluchtinstallatie

4.2 Montage van de pomp

Raadpleeg figuur 3 voor montage-afmetingen voor het bevestigen van de pomp op een vaste ondergrond.

	4-8 L mm	10 L mm	20 L mm	40 L mm
A	240	305	421	505
B	95	279	396	480
C	414	446	446	446
D	229	305	305	305
E	73	13	13	13
F	92	71	71	71
G	M8, 12 mm diep (6)	Ø 8.6 binnendiameter gat		



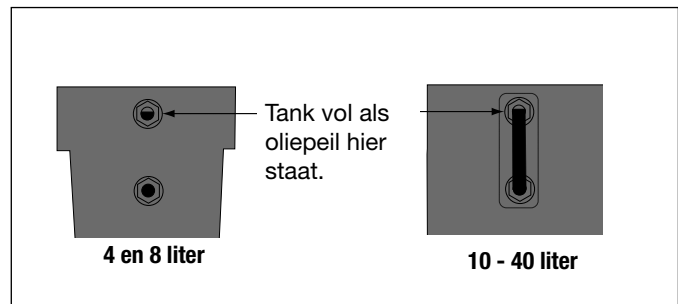
Figuur 3

4.3 Luchttoevoeraansluitingen

12. De pomp vereist 4 – 7 bar (60-100 psi) dynamische luchtdruk op 20-100 cfm. Voor de de luchtinlaat moet er een RFL-102 Reguleur-filter-smeerapparaat geïnstalleerd worden voor het verschaffen van schone en geoliede lucht en om luchtdrukaanpassing mogelijk te maken. Maak de inkomende luchttoevoer vast aan de ½" NPTF poort op de luchtklep.

4.4 Vloeistofpeil

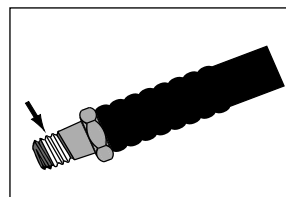
Controleer voor het starten het oliepeil van de pomp. Verwijder, indien nodig, de SAE 10 dop van de dekplaat om olie bij te vullen (zie fig. 2). Het reservoir zit vol als het oliepeil de bovenkant van het kijkglas heeft bereikt. (fig. 4).



Figuur 4

BELANGRIJK: Bij het vullen met olie dienen alle systeemonderdelen volledig ingetrokken te zijn, anders komt er meer olie in het systeem te zitten dan het reservoir kan houden.

4.5 Hydraulische verbindingen



Figuur 5

Wikkel het hydraulische slanghulpstuk anderhalf maal in Teflon tape of een ander geschikt afdichtmiddel. Breng op de eerste volledige draad geen tape of afdichtmiddel aan, zoals in figuur 5 te zien is.

Breng de slang(en) aan in de uitlaatopening(en) van de klep (zie klephuis voor identificatie van de openingen).

Verlengslang naar klepopening 'A'

Achteruitslang naar klepopening 'B' (indien van toepassing).

Meter naar klepopening 'GA, GB, of GP'.

'GA' meet de druk van opening 'A', 'GB' meet de druk van opening 'B', 'GP' meet de pompdruk benedenstrooms van de systeemtest).

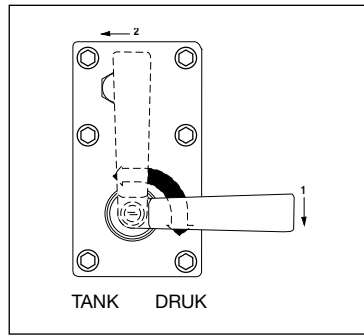
5.0 WERKING

1. Controleer het oliepeil van de pomp, en vul indien noodzakelijk bij met olie.
2. Zorg ervoor dat de verzendplug verwijderd en de ontluchttingsdop geïnstalleerd is (zie sectie 4.1)
3. Zet de handmatige bedieningsklep (indien aanwezig) op de neutrale stand.
4. Sluit de eenheid op de luchttoevoer aan.
5. Schuif de luchtklep naar binnen om de luchtmotor te starten.
6. Schuif de luchtklep naar buiten om de luchtmotor te stoppen.

5.1 Handmatige klepbediening

VM32 (Zie Fig. 6)

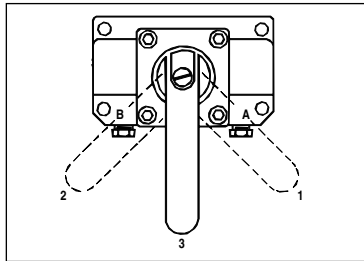
1. Uitloop
2. Terugloop (Neutraal)



Figuur 6

VM33, VM33L, VM43, VM43L (Zie Fig. 7)

1. Uitloop
2. Terugloop
3. Neutraal



Figuur 7

5.2 Ontlastklepafstelling

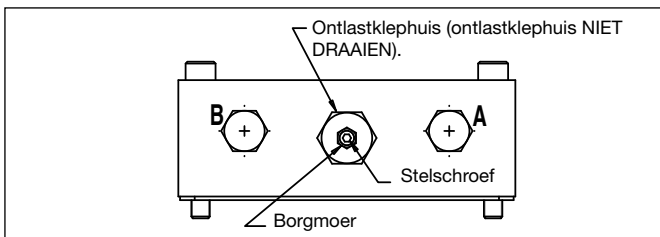
1. Installeer een meter op de pomp. Als het apparaat met de optionele drukomzetter uitgerust is, moet u verifiëren dat de AUTOMODE uit is (zie sectie 6.1C voor meer details).

Firmware 5.6 en later: verifieer dat de AUTOMODE Uit is (zie sectie 6.1C voor meer details).

2. Start de pomp om de olie te laten opwarmen.
3. Draai de borgmoer van de afstelschroef los.
4. Verplaats de controleklep om de druk in het systeem op te voeren. Gebruik een inbussleutel en draai de afstelschroef naar links voor het verlagen, en naar rechts voor het verhogen van de druk.

OPMERKING: Voor het verkrijgen van een nauwkeurige instelling moet de druk worden verlaagd tot een punt die onder de uiteindelijke instelling ligt, en de druk daarna langzaam worden verhoogd totdat de uiteindelijke instelling bereikt is.

5. Draai de borgmoer vast nadat de gewenste druk ingesteld is.
6. Zet de controleklep op de neutrale stand en laat de systeemdruk tot 0 bar (0 psi) terugkeren.
7. Controleer de uiteindelijke drukinstelling nogmaals door de controleklep te verplaatsen en het systeem onder druk te zetten.



Figuur 8

6.0 ONDERHOUD

Controleer alle onderdelen van het systeem regelmatig op lekkage en schade. Beschadigde onderdelen dienen gerepareerd of vervangen te worden.

6.1 Oliepeil controleren

Controleer het oliepeil van de pomp voor het starten. Verwijder zondig de vuldop om olie bij te vullen. Zorg er altijd voor dat de cilinders volledig zijn ingetrokken voordat u de olie in het reservoir giet. Zie figuur 2.

6.2 Olie verversen en reservoir reinigen

Enerpac HF olie is helderblauw van kleur. Controleer regelmatig of de olie in de pomp is verontreinigd door de kleur ervan met verse Enerpac olie te vergelijken. Over het algemeen dient het reservoir na elke 250 bedrijfsuren volledig leeggegoten en gereinigd te worden. In omgevingen met veel vuil, is dit vaker nodig.

N.B.: Verwijder de pomp van het reservoir voordat u deze procedure uitvoert. Gebruik een schone werkbank en gooi de gebruikte olie weg volgens de plaatselijke voorschriften.

1. Verwijder de 13 bouten waarmee de dekplaat van het reservoir vastzit, en til de pomp uit het reservoir. Pas op dat u het filterscherm niet beschadigt.
2. Giet het reservoir volledig leeg.
3. Maak het reservoir en de magneet grondig schoon met een geschikt reinigingsmiddel.
4. Verwijder het afneembare filterscherm en maak dit schoon. (Niet aan het scherm of de onderkant van de opening trekken daar dit schade kan veroorzaken.) Maak het scherm schoon met een oplosmiddel en een zachte borstel. Breng het weer aan.
5. Zet de pomp en het reservoir weer in elkaar. Breng daarbij een nieuwe reservoirpakking aan.
6. Vul het reservoir met schone Enerpac hydraulische olie. Het reservoir zit vol als het oliepeil in het midden van het kijkglas zit (zie figuur 4).

6.3 Het filterelement vervangen (optioneel)

U kunt een retourfilter bestellen als hulpstuk voor de pomp. Het filterelement dient na elke 250 bedrijfsuren te worden vervangen. In omgevingen met veel vuil moet dit vaker gebeuren. Het verdeelstuk van het filter is voorzien van een omloopleiding van 25 psi (1,7 bar) die scheuren als gevolg van overdruk voorkomt indien het filter verstopt raakt. Het onderdeelnummer van het filterelement is PF-25.

6.4 De Geluidsdemper Reinigen

Als de pomp lange tijd achtereen wordt gebruikt, is het mogelijk dat er ijs op het geluidsdemperelement wordt gevormd, dat moet worden verwijderd. Om de geluidsdemper te reinigen moet hij eraf worden geschroefd en alle vuil worden verwijderd.

7.0 PROBLEMEN OPLOSSEN (zie Foutopsporingsgids)

De pomp en de systeemonderdelen mogen uitsluitend door een bevoegde hydraulische monteur worden onderhouden. Storingen in het systeem zijn niet altijd het gevolg van een storing in de pomp. Om de oorzaak van het probleem vast te stellen, dient het gehele systeem te worden inbegrepen bij de diagnoseprocedure.

De volgende informatie is slechts bedoeld als hulpmiddel voor het vaststellen of er sprake is van een probleem. Voor reparatie dient u contact op te nemen met een plaatselijk goedgekeurd Enerpac onderhoudscentrum.

Foutopsporingsgids		
Probleem	Mogelijke oorzaak	Oplossing
De pomp start niet	1. De lucht is uitgeschakeld of de leiding is geblokkeerd	1. Raadpleeg hoofdstuk 5.0 Bediening
De motor stopt onder belasting	1. Lage luchtdruk 2. Geluiddemper verstopt; verontreinigde lucht	1. Raadpleeg hoofdstuk 4.3 2. Raadpleeg hoofdstuk 6.4
De druk in de pomp bouwt niet op of bouwt slechts gedeeltelijk op	1. Laag oliepeil 2. Ontlastklep te laag ingesteld 3. Uitwendig systeemlek 4. Inwendig lek in klep 5. Inwendig lek in systeemonderdeel 6. Inwendig lek in systeemonderdeel	1. Olie bijvullen volgens hoofdstuk 4.4 2. Afstellen volgens hoofdstuk 5.2 3. Inspecteren en repareren of vervangen 4. Goedgekeurd onderhoudscentrum opzoeken 5. Goedgekeurd onderhoudscentrum opzoeken 6. Goedgekeurd onderhoudscentrum opzoeken
De druk in de pomp bouwt volledig op, maar de last verplaatst niet	1. Belasting groter dan cilindercapaciteit bij volle druk 2. Oliestroom naar cilinder geblokkeerd	1. Belasting verminderen of cilindercapaciteit verhogen 2. Controleren of koppelingsstukken volledig in elkaar grijpen
De cilinder zakt vanzelf terug	1. Uitwendig systeemlek 2. Inwendig lek in systeemonderdeel 3. Niet-lastdragende klep gebruikt	1. Alle hydraulische verbindingen inspecteren en repareren of vervangen 2. Goedgekeurd onderhoudscentrum opzoeken 3. Goedgekeurd onderhoudscentrum opzoeken
De enkelvoudige cilinder keert niet terug	1. Geen belasting op een 'lastretour' cilinder 2. Terugstroming versperd of geblokkeerd 3. Vergrendelklep of drukgestuurde terugslagklep gebruikt 4. Klepstoring 5. Retourveer van cilinder kapot	1. Belasting verhogen 2. Controleren of koppelingsstukken volledig in elkaar grijpen 3. Motor starten en klep in teruglooppositie schakelen 4. Goedgekeurd onderhoudscentrum opzoeken 5. Goedgekeurd onderhoudscentrum opzoeken
De dubbelvoudige cilinder keert niet terug	1. Terugstroming versperd of geblokkeerd 2. Vergrendelklep of drukgestuurde terugslagklep gebruikt 3. Klepstoring	1. Controleren of koppelingsstukken volledig in elkaar grijpen 2. Motor starten en klep in teruglooppositie schakelen 3. Goedgekeurd onderhoudscentrum opzoeken
De pomp wordt heet	1. Vooruit- of Achteruit-stroom belemmerd 2. Hoge omgevingstemperatuur	1. Controleer of de doorverbindingen volledig aangesloten zijn. 2. Installeer de warmtewisselaar voor de hydraulische olie.

L2671 Rev. C 11/10

Folhas de Instrução para este produto estão disponíveis no Site de Enerpac - www.enerpac.com, ou no Centro de Serviço Autorizado mais próximo, ou com o Escritório de Vendas Enerpac.

1.0 INSTRUÇÕES IMPORTANTES NO RECEBIMENTO

Inspeccione visualmente todos os componentes verificando se houve avarias durante o transporte. Avarias no transporte não são cobertas pela garantia. Caso haja avarias no transporte, avise o transportador imediatamente. O transportador é responsável por todos os custos de consertos e substituições decorrentes de avarias ocorridas no transporte.

SEGURANÇA EM PRIMEIRO LUGAR

2.0 ASSUNTOS DE SEGURANÇA



Leia cuidadosamente todas as instruções, advertências e avisos sobre precaução. Siga todas as recomendações de segurança para evitar lesões pessoais ou danos à propriedade durante a operação do sistema. Enerpac não pode ser responsável por danos ou lesões pessoais resultantes do uso indevido do produto, falta de manutenção ou operação inadequada do produto e/ou sistema. Entre em contato com Enerpac quando houver dúvidas sobre as recomendações de segurança e operações. Se você nunca recebeu treinamento em segurança na hidráulica de alta pressão, consulte o seu distribuidor ou centro de serviço sobre um curso de segurança hidráulica Enerpac.

Falhas no cumprimento das advertências e avisos de precaução podem causar lesões pessoais e avarias ao equipamento.

PRECAUÇÃO é usada para indicar a operação correta ou os procedimentos e métodos de manutenção para prevenir o dano, a destruição do equipamento ou outras propriedades.

ADVERTÊNCIA indica um perigo potencial que exige procedimentos ou métodos corretivos para evitar lesões pessoais.

PERIGO é usado somente quando a ação ou a falta da mesma podem causar lesões sérias ou mesmo a morte.



ADVERTÊNCIA: Use equipamentos individuais de proteção quando acionar equipamentos hidráulicos.



ADVERTÊNCIA: Mantenha distância de cargas apoiadas por cilindros hidráulicos. Um cilindro, quando utilizado como dispositivo de levantamento, jamais deve ser usado como dispositivo de sustentação de carga. Depois de haver sido levantada ou baixada, a carga deve sempre ser bloqueada mecanicamente.



ADVERTÊNCIA: USE SOMENTE PEÇAS RÍGIDAS PARA APOIAR CARGAS. Selecione cuidadosamente blocos de madeira ou ferro que sejam capazes de sustentar a carga. Nunca use um cilindro hidráulico como um calço ou espaçador em qualquer aplicação de levantamento ou prensagem.



PERIGO: Para evitar lesões pessoais mantenha mãos e pés longe do cilindro e da área de trabalho durante a operação.



ADVERTÊNCIA: Não exceda a capacidade do equipamento. Nunca tente levantar uma carga mais pesada que a capacidade do cilindro. Excesso de carga pode causar falhas no equipamento e possíveis lesões pessoais. Os cilindros são projetados para uma pressão máxima de 700 bar (10.000 psi). Não faça a ligação entre um macaco ou um cilindro com uma bomba com capacidade maior de pressão.



Nunca ajuste uma válvula de alívio com pressão maior que a capacidade de pressão máxima da bomba. Ajustes maiores podem resultar em danos ao equipamento e/ou lesões pessoais.



ADVERTÊNCIA: A pressão de operação do sistema não deve exceder a capacidade de pressão do componente de menor capacidade no sistema. Instale manômetros de pressão no sistema para monitorar a pressão de operação. É a sua janela para o que está acontecendo no sistema.



PRECAUÇÃO: Evite danificar mangueiras hidráulicas. Evite curvas ou dobras pronunciadas quando direcionar as mangueiras hidráulicas. O uso de uma mangueira curvada ou dobrada causará aumento na pressão de retorno. Curvas ou dobras pronunciadas danificarão a mangueira internamente, levando a um desgaste prematuro.



Não derrube objetos pesados na mangueira. Um forte impacto pode causar danos à trama interna de aço da mangueira. A aplicação de pressão em uma mangueira danificada pode causar a sua ruptura.



IMPORTANTE: Não levante o equipamento hidráulico pela mangueira ou pelos engates. Use manoplas ou outros meios mais seguros para o transporte.



PRECAUÇÃO: Mantenha o equipamento hidráulico longe do calor e das chamas. O calor excessivo amolece vedações e selos, resultando em vazamento de fluidos. O calor também enfraquece o material das mangueiras e das juntas. Para um desempenho otimizado não exponha o equipamento a temperaturas maiores que 65 °C (150 °F). Proteja mangueiras e cilindros dos respingos de solda.



PERIGO : Não manuseie mangueiras pressurizadas. O escape do óleo sob pressão pode penetrar na pele, causando lesões sérias. Se o óleo penetrar na pele, procure um médico imediatamente.



ADVERTÊNCIA : Use somente cilindros hidráulicos num sistema acoplado. Nunca use um cilindro com engates não conectados. Caso o cilindro se torne extremamente sobrecarregado, os componentes podem falhar catastróficamente, causando severas lesões pessoais.



ADVERTÊNCIA: ESTEJA CERTO QUE A MONTAGEM É ESTÁVEL ANTES DE LEVANTAR A CARGA. Os cilindros devem ser colocados em superfícies planas que podem apoiar a carga. Quando aplicável, use uma base de cilindro Enerpac para aumentar a estabilidade. Não faça soldas ou, de qualquer forma, modifique o cilindro para acrescentar uma base ou outro apoio.



Evite situações em que as cargas não estão centradas na haste do cilindro. Cargas fora de centro podem causar deformações consideráveis nas hastes e nos cilindros. Além disso, a carga pode escorregar ou cair, causando resultados potencialmente perigosos.



Distribua a carga uniformemente em toda a superfície do assento. Use sempre um assento para proteger a haste.



IMPORTANTE: Somente técnicos em hidráulica, devidamente qualificados, devem fazer a manutenção de equipamentos hidráulicos. Para serviços de manutenção, entre em contato com o Centro de Serviço Autorizado Enerpac em sua área. Para proteger sua garantia, use somente óleo Enerpac.



ADVERTÊNCIA: Substitua imediatamente peças gastas ou danificadas por peças genuínas Enerpac. Peças não genuínas podem quebrar, causando lesões pessoais ou danos à propriedade. As peças Enerpac são projetadas para se encaixar adequadamente e sustentar cargas pesadas.



ADVERTÊNCIA: Mantenha as mãos longe de peças móveis e de mangueiras pressurizadas.



ADVERTÊNCIA: Estas bombas possuem válvulas de alívio pré-ajustadas de fábrica e não podem ser consertadas ou ajustadas, exceto por um Centro de Serviço Autorizado Enerpac.

Ex II 2 GD ck T4

▼ ZA4 TABELA DE DESEMPENHO

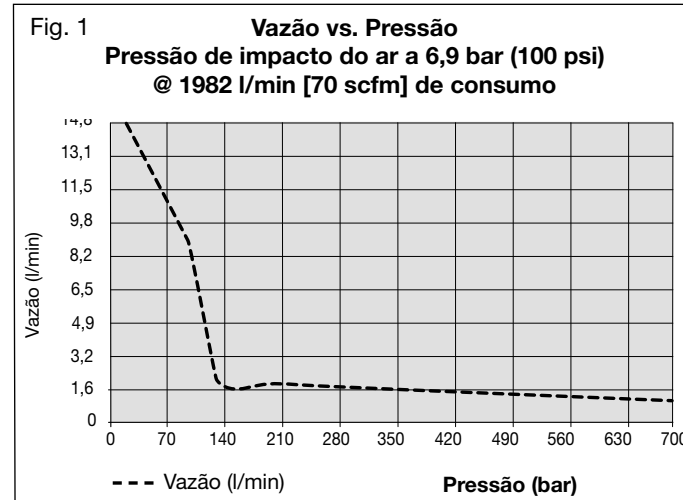
Tamanho Motor (hp)	Vazão na Pressão Nominal (l/min)				Faixa de Pressão de Impacto do Ar	Consumo de Ar (l/min)	Nível de Ruído @ 6,9 bar de impacto (dBA)	Faixa de Ajuste da Válvula de Alívio (bar)
	7 bar	50 bar	350 bar	700 bar				
4*	13,9	11,0	1,8	1,3	4,1-6,9	566-2832	94-97	70-700

* Consumo real de energia elétrica depende da aplicação. Ver Figura 1.

3.0 ESPECIFICAÇÕES

3.1 Tabela de Desempenho (ver abaixo a Tabela de Desempenho)

3.2 Tabelas de Vazão (ver Figura 1)



4.0 INSTALAÇÃO

Instale ou posicione a bomba, certificando-se de que o fluxo de ar ao redor do motor não está obstruído. Mantenha o motor limpo para assegurar o resfriamento máximo durante a operação.

4.1 Tampa de Respiro do Reservatório (ver Figura 2)

Para o transporte, um bujão (A) é instalado na entrada de abastecimento, na parte superior do reservatório. Antes de uso, substitua o bujão pela tampa do respiro (B). NOTA: A tampa do respiro (B) é separada da entrada de abastecimento de óleo (C). A entrada de abastecimento de óleo (C) utiliza um bujão SAE #10.

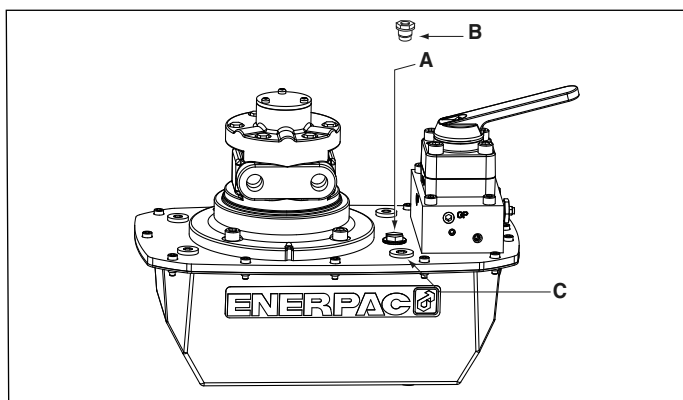


Figura 2, Instalação do Respiro ZA4

4.2 Montagem da Bomba

Veja a Figura 3 para as dimensões de montagem, garantindo a fixação da bomba em superfície firme.

	4-8 L mm	10 L mm	20 L mm	40 L mm
A	240	305	421	505
B	95	279	396	480
C	414	446	446	446
D	229	305	305	305
E	73	13	13	13
F	92	71	71	71
G	M8, 12 mm (6) profundidade	Ø 8.6 diâmetro através do furo		

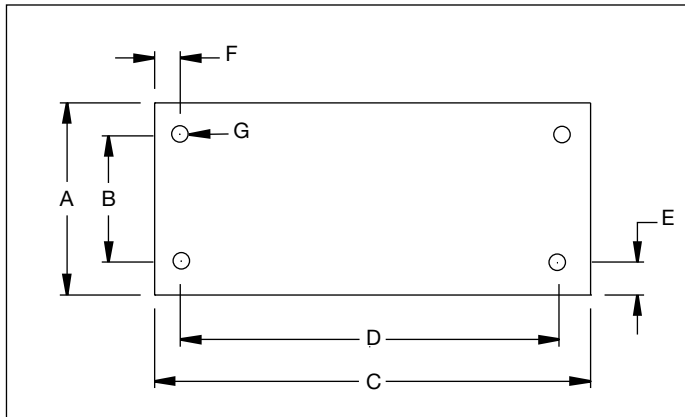


Figura 3

4.3 Conexões para Suprimento de Ar

Bomba requer 4,2-7 bar de pressão de impacto de ar a 20-100 cfm. Um Regulador-Filtro-Lubrificador RFL-102 deveria ser instalado voltado para cima, na entrada de ar, para que este seja fornecido limpo e lubrificado, e para permitir ajustes da pressão do ar. Conecte o suprimento de entrada do ar à saída de 1/2" NPT na válvula de ar.

4.4 Nível de Óleo

Antes de acionar a bomba, verifique o nível de óleo, e acrescente, caso necessário, removendo o bujão SAE# 10 da tampa do reservatório (ver Fig. 2) O reservatório está cheio quando o nível de óleo atingir a parte superior do visor. (Fig. 4).

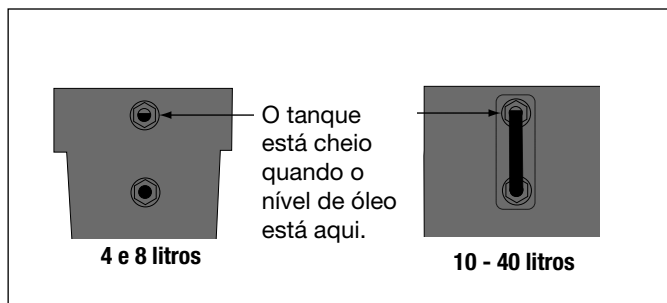
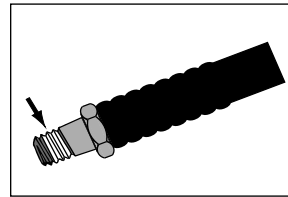


Figura 4

IMPORTANTE: Adicione óleo somente quando todos os componentes do sistema estiverem totalmente retraídos, ou haverá mais óleo no sistema do que o reservatório pode conter.

4.5 Conexões hidráulicas



Aplique 1 e meia volta de fita Teflon ou selante apropriado no terminal da mangueira hidráulica, deixando sempre o primeiro filete da rosca livre de fita ou selante, conforme demonstrado na Figura 5.

Figura 5

Rosqueie a (s) mangueira (s) na (s) saída (s) de pressão da válvula. (ver no corpo da válvula, a identificação de saída).

Faça com que a mangueira avance até a saída da válvula "A"

Faça com que a mangueira retorne até a saída da válvula "B" (se aplicável).

Manômetro nas saídas "GA, GB, ou GP".

(GA mede a pressão da saída "A", GB mede a pressão da saída "B", GP mede a queda de pressão da bomba durante a verificação do sistema).

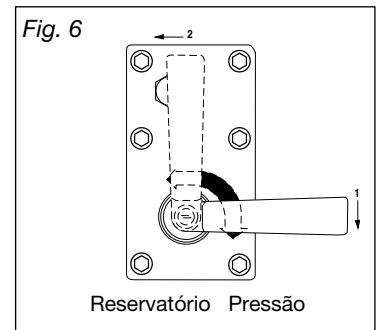
5.0 OPERAÇÃO

1. Verifique o nível de óleo da bomba e acrescente, caso necessário.
2. Certifique-se de que o bujão de transporte foi removido e que a tampa do respiro está instalada (Ver seção 4.1)
3. Place manual control valve (if equipped) in the Neutral position.
4. Conecte a unidade no suprimento de ar.
5. Para dar partida no motor pneumático, faça com que a válvula pneumática deslize para dentro.
6. Para parar o motor pneumático, faça com que a válvula pneumática deslize para fora.

5.1 Operação De Válvula Manual

VM32 (Ver Fig. 6)

1. Avanço
2. Retorno (Neutro)



VM33, VM33L, VM43, VM43L (Ver Fig. 7)

1. Avanço
2. Retorno
3. Neutro

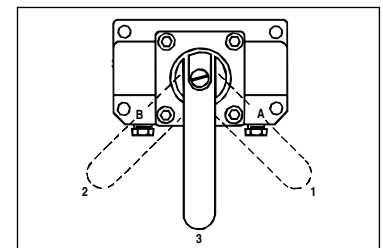


Figure 7

5.2 Ajuste da Válvula de Alívio

As bombas Z-Class são equipadas com uma válvula de alívio ajustável pelo usuário (ver Figura 8). Pode ser ajustada conforme a seguir:

1. Instale um manômetro na bomba.
2. Acione a bomba para permitir o aquecimento do óleo
3. Solte a porca trava do conjunto de parafusos
4. Mude a posição da válvula e coloque pressão no sistema. Usando uma chave Allen, gire o conjunto de parafusos no sentido anti-horário para diminuir a pressão, ou no sentido horário para aumentar a pressão.

NOTA: Para obter um ajuste mais exato, diminua a pressão até um ponto abaixo do ajuste final e depois, vagarosamente, aumente-a até que a pressão pré-estabelecida seja atingida.

5. Aperte a porca trava quando a pressão nominal for alcançada.
6. Mude a posição da válvula de controle para a posição neutro, permitindo que a pressão do sistema retorne a 0 bar.
7. Verifique novamente o ajuste final de pressão, mudando a válvula de controle e pressurizando o sistema.

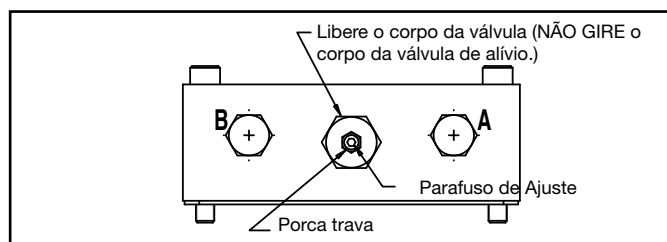


Figura 8

6.0 MANUTENÇÃO

Inspeção freqüentemente todos os componentes do sistema, verificando se existem vazamentos ou peças danificadas. Conserte ou substitua componentes danificados.

6.1 Verificação do Nível de Óleo

Verifique o nível de óleo da bomba antes do início da operação e adicione, se necessário, removendo a tampa do bujão de abastecimento. Certifique-se sempre que os cilindros estão totalmente retraídos antes de adicionar óleo no reservatório. Ver Figura 2.

6.2 Troca de Óleo e Limpeza do Reservatório

O óleo Enerpac HF é transparente e de cor azul. Verifique freqüentemente suas condições quanto à contaminação, comparando o óleo da bomba com óleo Enerpac novo. Como regra geral, esvazie completamente e limpe o reservatório a cada 250 horas, ou com maior freqüência, caso utilizado em ambientes sujos.

NOTA: Este procedimento exige que a bomba seja retirada do reservatório. Trabalhe sobre uma bancada limpa e descarte adequadamente o óleo usado.

1. Solte os 13 parafusos que fixam a tampa e remova a bomba de dentro do reservatório. Tome cuidado para não danificar a tela do filtro.
2. Drene todo o óleo do reservatório.
3. Limpe cuidadosamente o reservatório e o imã, usando um detergente apropriado.
4. Remova o filtro de tela da entrada para limpeza. (Não remova a tela ou o fundo de entrada para evitar possíveis problemas). Limpe a tela com solvente e pincel macio. Instale o filtro novamente.

5. Monte novamente a bomba no reservatório, usando uma gaxeta nova.
6. Encha o reservatório com óleo hidráulico Enerpac novo. O reservatório está cheio quando o nível do óleo atinge a metade do visor. (ver figura 4).

6.3 Trocando o Elemento do Filtro (opcional)

Um filtro para a linha de retorno pode ser encomendado, como acessório para a bomba. O elemento do filtro deve ser trocado a cada 250 horas, ou com maior freqüência em ambientes sujos. O manifold do filtro é equipado com uma válvula de alívio (by-pass) ajustada na pressão de 25 psi (1,7 bar) para evitar a sua ruptura, caso ocorra um entupimento do mesmo. O elemento de reposição do filtro tem a referência PF-25.

6.4 Limpando o Silencioso

Quando a bomba está trabalhando por longos períodos, pode haver formação de gelo no elemento do silencioso, que deve ser removido. Para limpar o silencioso, desaparafuse e remova qualquer detrito.

7.0 ENTIFICAÇÃO DE PROBLEMAS (Veja a Tabela de Identificação de Problemas)

Somente técnicos em hidráulica, devidamente qualificados devem fazer manutenções na bomba ou nos componentes do sistema. Falhas no sistema poderão ou não ser causadas pelo funcionamento inadequado da bomba. Para determinar a causa do problema, é necessária uma análise do sistema completo, em qualquer procedimento de diagnóstico.

A seguinte informação é para ser usada somente como auxílio na determinação da existência de um problema. Para manutenção, entre em contato com o Centro de Serviços Autorizado Enerpac de sua área.

Tabela de Identificação de Problemas		
Problema	Causa Possível	Ação
Bomba não dá partida	1. Ar desligado ou linha bloqueada	1. Ver Seção 5.0 Operação
Motor enguiça sob carga	1. Baixa pressão de ar 2. Silencioso tampado; ar contaminado	1. Ver Seção 4.3 2. Ver Seção 6.4
Bomba não sustenta a pressão ou bomba não atinge a pressão máxima	1. Baixo nível de óleo 2. Válvula de alívio com ajuste abaixo do especificado 3. Vazamento externo no sistema 4. Vazamento interno na bomba 5. Vazamento interno na válvula 6. Vazamento interno em algum elemento do sistema	1. Acrescente óleo, de acordo com seção 4.4 2. Ajuste, de acordo com seção 5.2 3. Inspeção e conserte ou substitua 4. Procure um Centro de Serviços Autorizador 5. Procure um Centro de Serviços Autorizado 6. Procure um Centro de Serviços Autorizado
Bomba atinge a pressão máxima, mas a carga não se move Cilindro retorna sozinho	1. Carga no cilindro maior que sua capacidade na pressão total 2. Vazão para o cilindro bloqueada	1. Reduza a carga ou troque por cilindro de maior capacidade 2. Verifique se as conexões estão totalmente engatadas
Cilindro retorna sozinho	1. Vazamento externo no sistema 2. Vazamento interno em algum elemento do sistema 3. Válvula gasta não sustenta a carga	1. Inspeção todas as conexões hidráulicas e conserte ou substitua 2. Procure um Centro de Serviços Autorizado 3. Procure um Centro de Serviços Autorizado
Cilindro de simples ação não retorna	1. Falta de carga no cilindro tipo “retorno por carga” 2. Vazão de retorno insuficiente ou bloqueada 3. Válvula de bloqueio gasta 4. Mau funcionamento da válvula 5. Mola de retorno do cilindro quebrada	1. Acrescente carga 2. Verifique se as conexões estão totalmente engatadas 3. Faça o motor funcionar durante o retorno 4. Procure um Centro de Serviços Autorizado 5. Procure um Centro de Serviços Autorizado
Cilindro de dupla ação não retorna	1. Vazão de retorno insuficiente ou bloqueada 2. Válvula de bloqueio gasta 3. Mau funcionamento da válvula	1. Verifique se as conexões estão totalmente engatadas 2. Faça o motor funcionar durante o retorno 3. Procure um Centro de Serviços Autorizado
Bomba trabalha aquecida	1. Avanço ou retorno com vazão limitada 2. Temperatura ambiente alta	1. Verifique as conexões para engate total 2. Instale trocador de calor para o óleo hidráulico

L2671 Rev. C 11/10

Korjausosaluettelo tälle tuotteelle on saatavilla Enerpacin web-sivulta www.enerpac.com, tai lähimmästä valtuutetusta Enerpac-huoltokeskuksesta tai Enerpac-myyntitoimistosta.

1.0 TÄRKEÄT VASTAANOTTO-OHJEET

Tarkista silmämääräisesti kaikki osat kuljetusvaurioiden varalta. Takuu ei kata kuljetusvaurioita. Jos kuljetusvaurioita löytyy, niin ilmoita kuljetusliikkeelle välittömästi. Kuljetusliike on vastuussa kaikista korjauksista ja korvauskustannuksista, jotka ovat johtuvat kuljetusvaurioista.

TURVALLISUUS ENNEN KAIKKEA

2.0 VAROTOIMENPITEET



Read all instructions, warnings and cautions Lue kaikki ohjeet ja varoitukset huolellisesti. Noudata kaikkia varotoimenpiteitä estääksesi vammoja tai omaisuuden vaurioitumista käytön aikana. Enerpac ei ole vastuussa vaurioista tai vammoista, jotka johtuvat tuotteen turvattomasta käytöstä, huollon puutteesta tai tuotteen ja/tai järjestelmän väärästä käytöstä. Ota yhteys Enerpaciin kun olet epävarma varotoimenpiteistä ja käytöstä. Jos et ole koskaan koulutautunut korkeapaineisen hydraulijärjestelmän turvallisuuteen, ota maahantuojaan tai palvelukeskukseen, jotta voit ottaa osaa Enerpacin ilmaiseen hydraulijärjestelmän turvakurssiin.

Seuraavien varoitusten noudattamatta jättäminen voi aiheuttaa laitevaurioita ja vammoja.

VAROVAISUUS -tekstiä käytetään ilmaisemaan oikeat käyttö- tai huoltotoimenpiteet ja käytännöt vaurioiden estämiseksi, tai laitteen tai muun omaisuuden tuhoutumisen estämiseksi.

VAROITUS -tekstiä käytetään ilmaisemaan mahdollinen vaara, joka vaatii oikeita toimenpiteitä tai käytäntöjä vammojen välttämiseksi.

VAARA -tekstiä käytetään vain kun toiminta tai sen puute voi aiheuttaa vakavan vamman tai jopa kuoleman.



VAROITUS: Käytä henkilökohtaisia suojavarusteita kun käytät hydraulilaitteita.



VAROITUS: Pysy etäällä hydrauliiikan kannattelemista kuormista. Sylinteriä, jota käytetään kuorman nostolaitteena, ei pitäisi koskaan käyttää kuorman kannattelulaitteena. Kun kuorma on nostettu tai laskettu, se pitää aina tukea mekaanisesti.



VAROITUS: KÄYTÄ VAIN JÄYKKIÄ OSIA KANNATTELEMAAN KUORMIA. Valitse huolellisesti teräs- tai metalliesteet, jotka kykenevät kannattelemaan kuormaa. Älä koskaan käytä hydraulisyylinteriä kiilana tai välikappaleena nosto- tai puristussovelluksille.



VAARA: Henkilövammojen välttämiseksi pidä kädet ja jalat etäällä kiristysavaimen vastavoimasta ja työkalusta käytön aikana.



VAROITUS: Älä ylitä laitteiston luokituskuormia. Älä koskaan yritä nostaa kuormaa, joka painaa sylinterin



kapasiteettia enemmän. Ylikuormitus aiheuttaa laitteiston pettämissä ja mahdollisesti vammoja. Sylinterille suunniteltu maksimipaine on 700 bar [10,000 psi]. Älä kytke pumppuun tunkkia tai sylinteriä, jonka painekuormitus on suurempi.



Älä koskaan aseta vapautusventtiiliä suurempaan paineeseen kuin pumpun suurin luokitettu paine on. Suuremmat asetukset voivat johtaa laitteiston vaurioitumiseen ja/tai henkilövahinkoihin.



VAROITUS: Järjestelmän käyttöpainetta ei saa ylittää järjestelmän alimmalle luokitellun osan painearvoa. Asenna painemittarit järjestelmään tarkkailemaan käyttöpainetta. Se on ikkuna siihen mitä järjestelmässä tapahtuu.



VAROVAISUUS: Vältä hydrauliletkujen vaurioittamista. Vältä teräviä kulmia ja kiertymiä kun reitität hydrauliletkuja. Väänntyneen tai kiertyneen letkun käyttö voi aiheuttaa vakavan paluupaineen. Terävät kulmat ja kiertymät vaurioittavat sisäisesti letkua, mikä johtaa ennenaikaiseen vikaan letkussa.



Älä pudota painavia esineitä letkun päälle. Terävä kosketus voi aiheuttaa sisäisen vaurion letkun lankasäikeisiin. Paineenjohtaminen vaurioituneeseen letkuun voi saada sen repeämään.



TÄRKEÄÄ: Älä nosta hydraulilaitteita letkuista tai kiertokytkimistä. Käytä kantokahvoja tai muita turvallisia kuljetusmuotoja.



VAROVAISUUS: Pidä hydraulilaitteet etäällä tuesta ja kuumuudesta. Liiallinen lämpö pehmentää pakkaukset ja saumat, johtaen nestevuotoihin. Lämpö myös heikentää letkumateriaaleja ja pakkauksia. Optimaalisen toiminnan saavuttamiseksi, älä altista laitteita lämpötiloille, jotka ovat 150 °F (65 °C) tai korkeampia. Suojaa letkut ja sylinterit hitsausroiskeilta.



VAARA: Älä käsittele paineistettuja letkuja. Vapautuva öljy voi paineen alla mennä ihon läpi, aiheuttaen vakavan vamman. Jos öljyä ruiskuu ihon alle, ota välittömästi yhteys lääkäriin.



VAROITUS: Käytä vain hydraulisia vääntökampia liittämätjärjestelmissä. Älä koskaan käytä vääntökampea kytkevätkä liittimiin. Jos vääntövain tulee erittäin ylikuormitetuksi, niin komponentit voivat hajota katastrofaalisesti, aiheuttaen vakavan henkilövamman.



VAROITUS: VARMISTA KOKOONPANON VAKAUS ENNEN KUORMAN NOSTAMISTA. Sylinterit on asetettava tasaiselle pinnalle, joka kykenee kantamaan kuorman. Käytä sylinterialustaa tarvittaessa vakauden parantamiseen. Älä hitsaa tai muuta muulla tavalla sylinteriä alustan tai muun tuen kiinnittämiseksi.



Vältä tilanteita, joissa kuormat eivät ole suoraan keskitettyjä sylinterin mäntään. Keskitämättömät kuormat rasittavat merkittävästi sylinterejä ja mäntiä. Lisäksi kuorma voi livetä tai pudota johtaen mahdollisesti vaaratilanteisiin.



Jaa kuorma tasaisesti koko satulapinnalle. Käytä aina satulaa männän suojaamiseen.



TÄRKEÄÄ: Hydraulilaitteita saa huoltaa vain pätevä hydrauliteknikko. Ota yhteys valtuutettuun ENERPAC-huoltokeskukseen korjauspalveluiden suhteen. Takuun säilyttämiseksi, käytä vain ENERPAC-öljyä.



VAROITUS: Vaihda välittömästi kuluneet tai vaurioituneet osat aidoilla ENERPAC-osilla. Standardilaitteet ovat hajoavat, aiheuttaen henkilövammoja ja omaisuuden tuhoutumista. ENERPAC-osat ovat suunniteltu sopimaan kunnolla ja kestävästi raskaita kuormia.



VAROITUS: Pidä kädet etäällä liikkuvista osista ja paineistetuista letkuista.

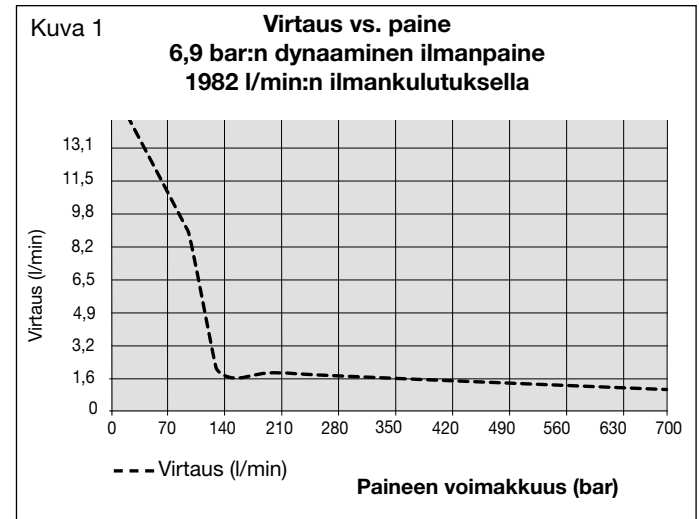


VAROITUS: Näissä pumpeissa on sisäiset tehtaassa säädetyt varoventtiilit, joita ei saa korjata tai säätää muut kuin valtuutetut Enerpac-huoltokeskukset.

3.0 ERITTELYT

3.1 Suorituskartta (katso suorituskartta alapuolelta)

3.2 Virtauskaavio (katso Kuva 1)

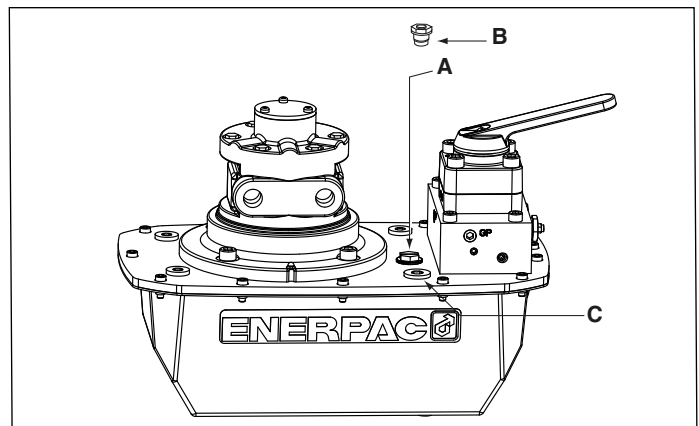


4.0 ASENNUS

Asenna tai sijoita pumppu siten, että ilmavirtaus moottorin ja pumpun ympäristössä on esteetön. Pidä moottori puhtaana maksimaalisen jäähtymisen varmistamiseksi käytön aikana.

4.1 Säiliön tuuletusaukon korkki (katso Kuva 2)

Kuljetuksen ajaksi kuljetustulppa (A) asennetaan säiliön päällä olevaan tuuletusreikään. Ennen käyttöä vaihda kuljetustulppa tuuletusaukon korkkiin (B). **HUOMAA:** Tuuletusaukko (B) on erillään öljyntäyttö aukosta (C). Öljyntäyttö aukko (C) käyttää tulppaa SAE#10.



Kuva 2, ZA4-tuuletusaukon asennus

II 2 GD ck T4

▼ ZA4-SUORITUSKARTTA

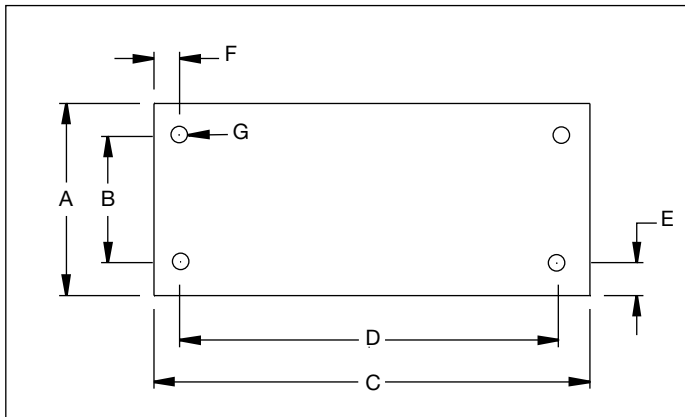
Moottorin koko (hv)	Ulostulovirtaus (l/min)				Dynaamisen ilmanpaineen käyttöalue (bar)	Ilmankulutus (l/min)	Äänitaso dynaamisella 6,9 bar:lla (dBA)	Varoventtiilin säätöalue (bar)
	7 bar	50 bar	350 bar	700 bar				
4*	13,9	11,0	1,8	1,3	4,1-6,9	566-2835	94-97	70-700

* Todellinen virrankulutus riippuu sovelluksesta. Katso kuva 1.

4.2 Pumpun asettelu

Katso kuvasta 3 asettelumitat varmistaaksesi pumppu kiinteään pintaan.

	4-8 L mm	10 L mm	20 L mm	40 L mm
A	240	305	421	505
B	95	279	396	480
C	414	446	446	446
D	229	305	305	305
E	73	13	13	13
F	92	71	71	71
G	M8, 12 mm (6) syvä	Ø 8.6 läpimitta reiän läpi		



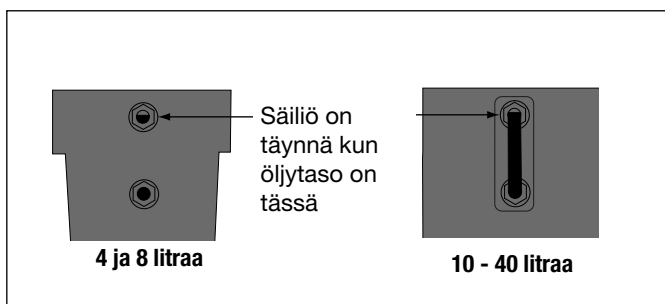
Kuva 3

4.3 Tuloilialiittimet

Pumppu vaatii 4,2-7:n dynaamisen ilmanpaineen 20-100 scfm:n ilmankulutuksella. RFL-102 säätölaite-suodatin-voitelulaite tulisi asentaa ylävirtaan ilmanottoaukosta puhtaaseen, voidellun ilman tuottamiseksi ja ilmanpaineen säädön sallimiseksi. Kiinnitä sisään tuleva tuloilma 1/2" NPT-porttiin ilmaventtiilissä.

4.4 Nestetaso

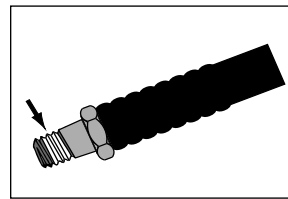
Tarkista pumppu öljymäärä ennen käynnistystä. Tarpeen vaatiessa lisää öljyä poistamalla SAE#10 -tulppa peitelevystä (katso Kuva 2). Säiliö on täynnä kun öljytaso ylettyy tarkkailulasin yläosaan. (Kuva 4).



Kuva 4

TÄRKEÄÄ: Lisää öljyä silloin kuin järjestelmän kaikki komponentit ovat kokonaan vedetty takaisin. Muussa tapauksessa järjestelmä sisältää enemmän öljyä kuin säiliö voi sisältää.

4.5 Hydraulikytkennät



Kuva 5

Käytä 1-1/2 kierrosta Teflon-teippiä tai jotain muuta sopivaa tiivistäainetta hydrauliletken kiinnikkeisiin siten, että ensimmäinen täysi kierre jää vapaaksi teipistä tai tiivistäaineesta kuvan 5 mukaisesti.

Kierrä letku(t) venttiiliin poistoaukkoon(-aukkoihin) (katso venttiilirunko liitäntäaukkojen tunnistamiseksi).

Jatka letku venttiiliin liitäntäaukkoon "A".

Vedä letku takaisin venttiiliin liitäntäaukkoon "B" (jos sovellettavissa).

Asenna mittari liitäntäaukkoihin "GA, GB tai GP".

("GA" mittaa liitäntäaukon "A" paineen, "GB" mittaa liitäntäaukon "B" paineen, "GP" mittaa pumppu paineen järjestelmän tarkastuksen alavirtauksen).

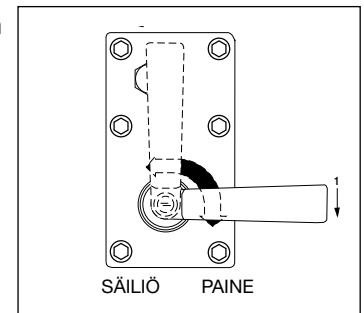
5.0 KÄYTTÖ

1. Tarkista pumppu öljytaso ja lisää öljyä tarvittaessa.
2. Varmista, että kuljetustulppa on poistettu ja tuuletusaukon korkki on asetettu. (Katso kappale 4.1)
3. Aseta manuaalinen ohjausventtiili (jos varustettu) Neutraali-asentoon.
4. Kytke yksikkö tuloilmaan.
5. Käynnistä ilmamoottori liu'uttamalla ilmaventtiiliä sisäänpäin.
6. Sammuta ilmamoottori liu'uttamalla ilmaventtiiliä ulospäin.

5.1 Manuaalinen venttiilin Operation

VM32 (katso Kuva 6)

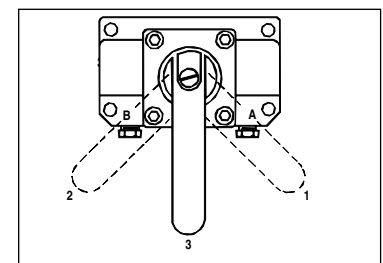
1. Syöttö
2. Takaisin veto (Neutraali)



Kuva 6

VM33, VM33L, VM43, VM43L (katso Kuva 7)

1. Syöttö
2. Takaisin veto
3. Neutraali



Kuva 7

5.2 Varoventtiilin säädöt

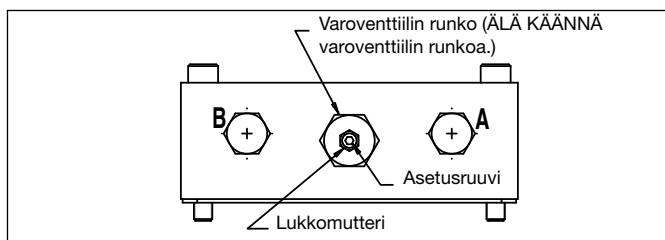
Z-luokan pumput ovat varustettu yhdellä käyttäjän säädettävissä olevalla varoventtiilillä (katso Kuva 8.) Sitä voidaan säätää seuraavasti:

1. Asenna mittari pumppuun. Jos yksikkö on varustettu valinnaisella paineenmuuntimella, varmista, että AUTOMODE on pois päältä (Off). (Katso lisätietoja kappaleesta 6.1C).

- Käynnistä pumppu öljyn lämmittämiseksi.
- Löysää säätöruuvien lukkomutteri.
- Siirrä ohjausventtiiliä ja muodosta paine järjestelmään. Käytä koloruuvivainta ja käännä säätöruuvia vastapäivään paineen vähentämiseksi ja myötäpäivään paineen lisäämiseksi.

HUOMAA: Saadaksesi oikean säädön, vähennä painetta kohtaan, joka on lopullisen asetuksen alapuolella ja lisää sitten painetta vähitellen kunnes se saavuttaa lopullisen asetuksen.

- Kiristä lukitusmutteri sen jälkeen kun haluttu paine on asetettu.
- Siirrä venttiili neutraaliasentoon, jotta järjestelmän paine palautuu kohtaan 0 psi.
- Tarkista lopullinen paineasetus uudelleen siirtämällä ohjausventtiiliä ja paineistamalla järjestelmä.



Kuva 8

6.0 HUOLTO

Tarkista säännöllisesti kaikki järjestelmän osat vuotojen tai vaurioiden varalta.

6.1 Tarkista öljymäärä

Tarkista pumpun öljymäärä ennen käynnistystä, ja lisää öljyä tarvittaessa, poistamalla täyttöaukon korkki. Varmista aina, että sylinteri ovat vetäytyneet kokonaan takaisin ennen kuin lisäät öljyä säiliöön. Katso kuva 2.

6.2 Vaihda öljy ja puhdistaa säiliö

Enerpac HF -öljy on väriltään selkeän sininen. Tarkista säännöllisesti öljy saastumisen varalta vertaamalla pumpussa olevaa öljyä uuteen Enerpac-öljyyn. Nyrkkisääntönä on ,että tyhjennä ja puhdistaa säiliö kokonaan joka 250 tunnin jälkeen, tai useammin jos pumpua on käytetty likaisessa ympäristössä.

HUOMAA: Tämä toimenpide vaatii, että poistat pumpun säiliöstä. Työskentele puhtaalla alustalla ja hävitä käytetty öljy paikallisten säädösten mukaisesti.

- Ruuvaa irti 13 pulttia, jotka kiinnittävät suojalevyn säiliöön, ja nosta pumppuyksikkö pois säiliöstä. Varo ettet vaurioita suodatinsuojuksia.
- Kaada kaikki öljy ulos säiliöstä.
- Puhdistaa säiliö ja magneetti perusteellisesti sopivalla puhdistusaineella.
- Poista nostettava suodatinsuojus puhdistusta varten. (Älä vedä suojuksesta tai tuloaukon pohjasta mahdollisten vaurioiden varalta.) Puhdistaa suojus liuottimella ja pehmeällä harjalla. Aseta uudestaan paikalleen.
- Kokoa pumpu ja säiliö. Aseta säiliöön uusi tiiviste.
- Täytä säiliö puhtaalla Enerpac-hydrauliöljyllä. Säiliö on täynnä kun öljytaso on keskellä tarkkailulasia (katso kuva 4).

6.3 Filtrierielementin (valinnainen) vaihto

Paluulinjan suodattimen voi tilata lisävarusteena pumppuun. Suodatinelementti tulee vaihtaa joka 250 tunnin jälkeen, tai useammin likaisessa ympäristössä. Suodatinputkisto on varustettu 25 psi (1,7 Bar) ohituksella estämään ylipainerepeämiä, jos suodatin tukkeutuu. Suodatinelementin varaosan numero on PF-25.

6.4 Vaimentimen Puhdistus

Kun pumpu on ollut käynnissä pitkiä ajanjaksoja, jäätä voi muodostua vaimenninelementtiin ja on poistettava. Puhdista vaimennin ruuvaamalla irti ja poistamalla kaikki roskat.

7.0 VIANETSINTÄ (KATSO VIANETSINTÄOPAS)

Vain pätevä hydrauliteknikko saa huoltaa pumpua tai sen osia. Järjestelmävirhe voi syntyä, tai ei, pumpun toimintahäiriön seurauksena. Ongelman selvittämiseksi koko järjestelmä täytyy diagnosoitua.

Seuraavat tiedot on tarkoitettu vain käytettäväksi, kun selvitetään ongelman olemassaoloa. Huoltotoimien suhteen ota yhteys valtuutettuun Enerpac-huoltokeskukseen.

Vianetsintäopas		
Ongelma	Mahdollinen syy	Toiminta
Pumppu ei käynnisty	1. Ilma kytketty pois päältä tai linja tukossa	1. Katso yksityiskohdat kappaleista 5.0 Käyttö
Moottori pysähtelee kuorman alla	1. Matala ilmanpaine 2. Vaimennin tukittu; saastunut ilma	1. Katso kappaleet 4.3 2. Katso kappaleet 6.4
Pumput eivät muodosta painetta tai vähemmän kuin täyden paineen	1. Matala öljytaso 2. Varoventtiili asetettu liian alhaiseksi 3. Järjestelmän ulkopuolinen vuoto 4. Pumpun sisäinen vuoto 5. Venttiilin sisäinen vuoto 6. Sisäinen vuoto järjestelmäkomponentissa	1. Lisää öljyä kappaleen 4.4 mukaisesti 2. Säädä kappaleen 5.2 mukaisesti 3. Tarkasta ja korjaa tai vaihda 4. Ota yhteys valtuutettuun huoltokeskukseen 5. Ota yhteys valtuutettuun huoltokeskukseen 6. Ota yhteys valtuutettuun huoltokeskukseen
Pumppu muodostaa täyden paineen, mutta kuorma ei liiku	1. Kuormasuurempi kuin sylinterin kapasiteetti täydellä paineella 2. Virtaus sylinteriin estetty	1. Vähennä kuormaa tai lisää sylinterin kapasiteettia 2. Tarkista hydrauliliittimet täyden liitoksen suhteen
Sylinteri ajelehtii takaisin omatoimisesti	1. Järjestelmän ulkopuolinen vuoto 2. Sisäinen vuoto järjestelmäkomponentissa 3. Ei kuormaa pitävä venttiili käytössä	1. Tarkasta kaikki hydraulikytkennät ja korjaa tai vaihda 2. Ota yhteys valtuutettuun huoltokeskukseen 3. Ota yhteys valtuutettuun huoltokeskukseen
Yksitoiminen sylinteri ei palaa	1. Ei kuormaa "kuorman paluu" - sylinterissä 2. Paluuvirtaus kielletty tai tukittu 3. Lukitusventtiili käytössä 4. Venttiilivika 5. Sylinterin paluujousi rikki	1. Lisää kuormaa 2. Tarkista liittimet täyden liitoksen suhteen 3. Pidä moottori käynnissä takaisinvedon aikana 4. Ota yhteys valtuutettuun huoltokeskukseen 5. Ota yhteys valtuutettuun huoltokeskukseen
Kaksitoiminen sylinteri ei palaa	1. Paluuvirtaus kielletty tai tukittu 2. Lukitusventtiili käytössä 3. Venttiilivika	1. Tarkista liittimet täyden liitoksen suhteen 2. Pidä moottori käynnissä takaisinvedon aikana 3. Ota yhteys valtuutettuun huoltokeskukseen
Pumppu on kuuma	1. Syöttö- tai takaisinvetovirtaus rajoitettu 2. Ympäristön korkea lämpötila	1. Tarkista liittimet täyden liitoksen suhteen 2. Asenna lämmönmuunnin hydraulioöljyä varten

L2671 Rev. C 11/10

Oversikt over reparasjonsdeler for dette produktet er tilgjengelig fra hjemmesiden til Enerpac på www.enerpac.com, eller fra ditt nærmeste autoriserte Enerpac Service Senter eller Enerpac Salgskontor.

1.0 VIKTIG VED MOTTAK AV PRODUKTET

Foreta en visuell inspeksjon av alle komponenter for å forvisse deg om at ikke noe er skadd under transporten. Transportskader er ikke dekket av produktgarantien. Dersom du finner transportskader må du øyeblikkelig kontakte transportøren. Transportøren er ansvarlig for alle utgifter til reparasjon og nye deler som oppstår som en følge av transportskade.

SIKKERHET I HØYSETET

2.0 SIKKERHETSFRSKRIFTER



Les alle instruksjer og advarsler nøye. Følg alle råd om sikkerhet for å unngå skade på person eller eiendom ved drift av systemet. Enerpac kan ikke påta seg ansvar

for skade på person eller materiell som følger av usikker bruk av produktet, mangel på vedlikehold eller uriktig bruk av produkt eller system. Kontakt Enerpac dersom du er i tvil om sikker bruk av produktet. Dersom du aldri har fått opplæring i hydraulisk høytrykkssikkerhet, bør du kontakte ditt distribusjons- eller servicesenter for et kostnadsfritt Enerpac Hydraulikk Sikkerhetskurs.

Det er viktig å rette seg etter følgende forskrifter og advarsler for å unngå skade på personer og utstyr.

FORSIKTIG brukes for å indikere korrekte prosedyrer for drift eller vedlikehold for å unngå skader på-, eller ødeleggelse av utstyret eller annen eiendom.

ADVARSEL indikerer en potensiell fare som krever korrekte prosedyrer eller bruksmåter for å unngå personskade.

FARE brukes kun når din handling eller mangel på handling kan forårsake alvorlig skade eller død.



ADVARSEL: Bruk riktig personlig verneutstyr når du bruker hydraulisk utstyr.



ADVARSEL: Hold deg klar av laster som støttes av hydraulikk. En sylinter, når den brukes til å løfte laster, bør aldri benyttes som lasteholder. Etter at lasten er hevet eller senket, må den alltid blokkeres mekanisk.



ADVARSEL: BRUK KUN SOLIDE DELER TIL Å HOLDE LASTER. Være nøye med å velge stål- eller treklosser som kan holde lasten. Bruk aldri en hydraulisk sylinter som en foring eller avstandshylse ved løft eller press..



FARE: For å unngå personskade må man holde hender og føtter unna muttertrekkerens reaksjonsarm og arbeidstykket ved bruk.



ADVARSEL: Ikke overskrid utstyrets spesifikasjoner. Prøv aldri å løfte en last som veier mer enn sylindrens kapasitet. Overlast fører til at utstyret bryter sammen, og til mulig personskade. Sylindrene er konstruert for et maks. trykk på 700 bar [10 000 psi]. Ikke kople jekk eller sylinter til en pumpe med høyere trykkspesifikasjoner.



Sett aldri sikkerhetsventilen på et høyere trykk enn pumpens maksimale trykkapasitet. Høyere innstilling kan føre til skade på utstyret og/eller personskade.



ADVARSEL: Systemets arbeidstrykk på ikke overstige trykkklasse av den lavest klasserte komponenten i systemet. Installer trykkmålere i systemet for å overvåke driftstrykk. Det er ditt vindu inn til hva som skjer i systemet.



FORSIKTIG: Unngå skader på hydrauliske slanger. Unngå bøyning og krølling når de hydrauliske slangene legges ut. Å bruke en bøyd eller krøllet slange vil skape et alvorlig mottrykk. Skarpe bøyer eller krøll vil umiddelbart skade slangen og føre til tidlig slangefeil.



Ikke slipp tunge gjenstander på slangen. Et hardt slag kan føre til skade på slangens armering. Å sette trykk på en skadet slange kan få den til å revne.



VIKTIG: Ikke løft hydraulisk utstyr i slangen eller svivelkoblinger. Bruk bærehåndtaket eller andre sikre måter å bære på.



FORSIKTIG: Hold hydraulisk utstyr unna åpen ild og varme. For mye varme vil gjøre pakninger og forseglinger bløte, noe som fører til væskelekkasje. Hete svekker også slangematerialet og pakninger. For best mulig ytelse bør ikke utstyret utsettes for temperaturer over 65 °C. Beskytt slanger og sylindere mot sveisesprut.



FARE: Ikke håndter slanger under trykk. Oljesprut under trykk kan gå gjennom huden og gjøre alvorlig skade. Dersom olje er trenger gjennom huden må man oppsøke lege med en gang.



ADVARSEL: Bruk kun muttertrekkere i et tilkoblet system. Bruk aldri en muttertrekker uten tilkoblede koblinger. Hvis muttertrekkeren blir ekstremt overbelastet kan komponenter feile katastrofalt og forårsake alvorlige personskader.



ADVARSEL: SØRG FOR AT OPPSETTET ER STABIL FØR LAST LØFTES. Sylindere skal plasseres på et plant underlag som kan bære lasten. Ved behov skal det brukes grunnplate på sylindren for å øke stabiliteten. Ikke bruk sveising eller modifierer sylindren på annen måte for å feste en grunnplate eller annen støtte.



Unngå situasjoner der last ikke er direkte sentrert på sylindrens stempel. Skjev last gir stor belastning på sylindere og stempel. I tillegg kan lasten gli eller falle, og skape potensielt farlige situasjoner.



For del lasten jevnt over hele trykkhodets overflate. Bruk alltid trykkhode for å beskytte stempelet.



VIKTIG: Hydraulisk utstyr må kun få service av en kvalifisert hydraulikktekniker. For reparasjoner, kontakt et Autorisert ENERPAC Servicesenter i din region. For å beskytte garantien, bruk bare ENERPAC hydraulikkolje.



ADVARSEL: Bytt umiddelbart ut slitte eller skadde deler med ekte ENERPAC-deler. Uoriginale deler vil gå i stykker og forårsake skade på personer og eiendom. ENERPAC-deler er designet for å passe riktig og for å tåle store påkjenninger.



ADVARSEL: Hold hendene unna bevegelige deler og slanger under trykk.

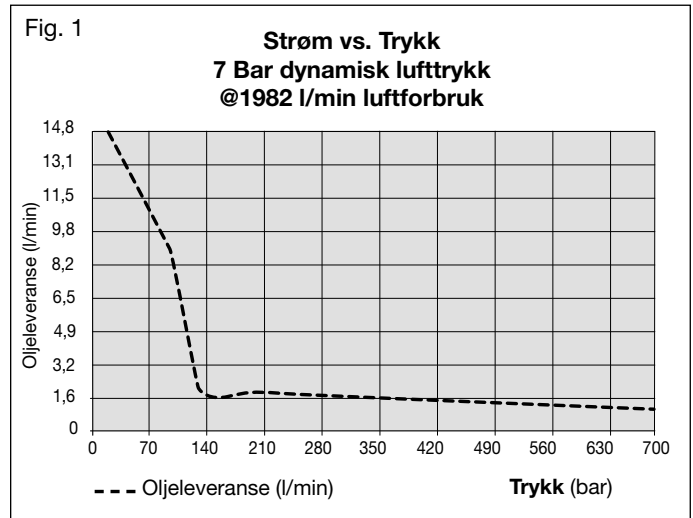


ADVARSEL: Disse pumpene har interne, fabrikkjusterte avlastningsventiler, som ikke kan repareres eller justeres av andre enn et Autorisert Enerpac Servicesenter.

3.0 SPESIFIKASJONER

3.1 Ytelsesdiagram (se Ytelsesdiagram nedenunder)

3.2 Flytdiagrammer (se figur 1)

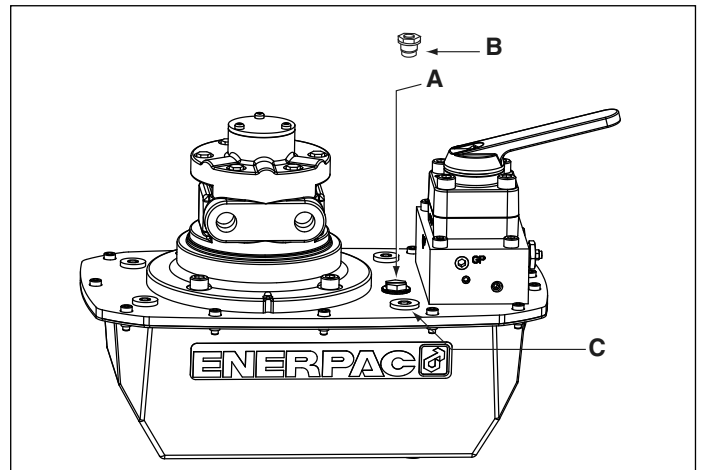


4.0 NSTALLASJON

Installer eller posisjoner pumpen på en måte som garanterer fri luftstrømning rundt motor og pumpe. Hold motoren ren for å sikre maksimal kjøling under bruk.

4.1 Tankventilering (se figur 2).

Undertransport settes en transportplugg (A) i ventilasjonsåpningen på toppen av tanken. Før bruk må transportpluggen erstattes med en lufteplugg (B). MERK: Ventilasjonsåpningen (B) er ulik åpningen for oljefylling (C). Åpning for oljefylling (C) bruker en SAE-plugg nr. 10.



Figur 2, ZA4 Luftinstallasjon

II 2 GD ck T4

▼ TEKNISKE SPESIFIKASJONER FOR ZA4

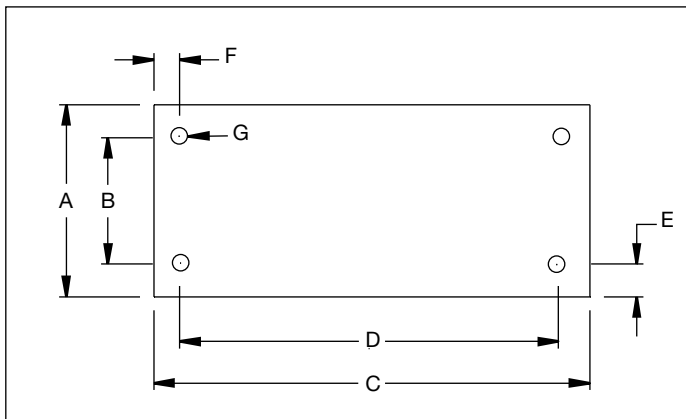
Motor- stør- relse (kW)	Oljestrøm (l/min)				Dynamisk luft- trykksområde (bar)	Luftforbruk (l/min)	Lydvolum @ 6,9 Bar dynamisk (dBA)	Justeringsområde for sikkerhetsventil (bar)
	7 bar	50 bar	350 bar	700 bar				
4*	13,9	11,0	1,8	1,3	4,1-6,9	566-2832	94-97	70-700

* Faktisk strømforbruk avhenger av bruken. Se figur 1.

4.2 Pumpemontasje

Se figur 3 for monteringsdimensjoner for å feste pumpen til et fast underlag.

	4-8 L mm	10 L mm	20 L mm	40 L mm
A	240	305	421	505
B	95	279	396	480
C	414	446	446	446
D	229	305	305	305
E	73	13	13	13
F	92	71	71	71
G	M8x1,25(12mm) (6) dyp	Ø 8,6 (.34) diameter gjennom hullet		



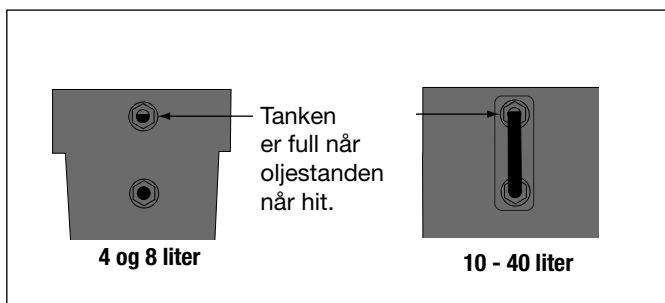
Figur 3

4.3 Luftforsyningskoblinger

Pumpen krever 4-8 Bar (60-100 psi) lufttrykk ved 20-100 cfm. En RFL-102 Regulator-filter-smører bør installeres oppstrøms fra luftinntaket for å forsyne ren, smurt luft, og for å gjøre det mulig å justere lufttrykket. Koble innkommende luftforsyning til 1/2" NPT-port på luftventilen.

4.4 Oljenivå

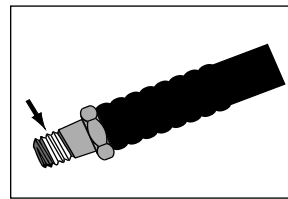
Sjekk oljestanden på pumpen før den startes opp, og fyll på olje ved behov ved å fjerne pluggen SAE Nr. 10 fra dekselplaten (se fig. 2). Tanken er full når oljestanden når toppen av tittehullet. (Fig. 4).



Figur 4

VIKTIG: Fyll på olje kun når alle systemkomponenter er fullstendig trukket tilbake, ellers vil systemet ha mer olje enn tanken kan holde.

4.5 Hydrauliske koblinger



Figur 5

Legg på 1-1/2 omgang med teflontape eller annet forseglingsmateriale på koblingen til hydraulikkslangen, men la den første komplette gjengen være fri for tape eller materiale, som vist i figur 5.

Tre slange(r) inn i utgangsporten(e) på ventilen (se ventilhus for spesifikasjon av porter).

Trekk slangen frem til ventilport "A".

Trekk slangen tilbake til ventilport "B" (hvis dette er aktuelt).

Sett måler på ventilport "GA", "GB" eller "GP".

("GA" måler trykket på port "A". "GB" måler trykket på port "B", "GP" måler pumpetrykket nedstrøms fra systemsjekk).

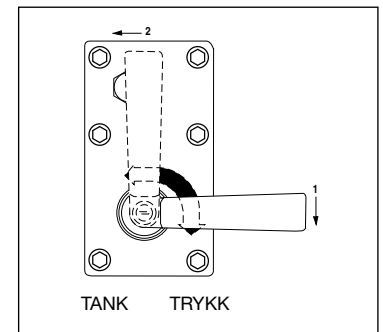
5.0 DRIFT

1. Sjekk pumpens oljestand og fyll på ved behov.
2. Sjekk at transportpluggen er fjernet og at ventilasjonsplugg er installert. (se avsnitt 4.1)
3. Plasser manuell kontrollventil (hvis levert) i stillingen Nøytral.
4. Koble enheten til luftforsyningen
5. For å starte luftmotoren, skyv luftventilen innover.
6. For å stanse luftmotoren, skyv luftventilen utover.

5.1 Manuell bruk av ventiler

VM32 (Se Fig. 6)

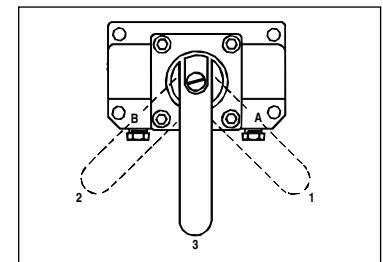
1. Fremkjøring
2. Retur (Nøytral)



Figur 6

VM33, VM33L, VM43, VM43L (Se Fig. 7)

1. Fremkjøring
2. Retur
3. Nøytral



Figur 7

5.2 Justering av avlastningsventil

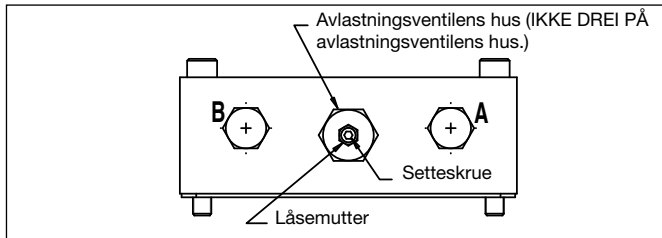
Z-Class pumper er utstyrt med en brukerjustert avlastningsventil (Se Figur 8) Den kan justeres som følger:

1. Innstaller en måler på pumpen.
2. Start pumpen for å varme opp oljen.
3. Løsne setteskruens låsemutter.

4. Sjalte kontrollventilen og bygg opp trykk i systemet. Bruk en umbrakonøkkel og skru setteskruen mot klokken for å redusere trykket, eller med klokken for å øke trykket.

MERK: For å få en nøyaktig innstilling, reduser trykket til et punkt under endelig innstilling og så øke trykket forsiktig til endelig innstillingen er nådd.

5. Stram til låsemutter når ønsket trykk er innstilt.
6. Sjalte ventilen til nøytral stilling, som lar systemtrykket returnere til 0 bar.
7. Sjekk den endelige trykkinnstillingen igjen ved å sjalte ventilen og sette trykk på systemet.



Figur 8

6.0 VEDLIKEHOLD

Inspiser jevnlig alle systemets komponenter for lekkasje og skade. Reparer eller bytt ut skadde komponenter.

6.1 Sjekk oljestand

Sjekk oljestanden på pumpen før den startes opp, og fyll på olje ved behov ved å ta av hetten på åpningen for oljefylling. Forsikre deg om at sylindere er trukket helt tilbake før du fyller olje i tanken. Se figur 2.

6.2 Skifte olje og gjøre rent tanken

Enerpac HF-olje har en klar blå farge. Sjekk oljetilstanden jevnlig for urenheter, ved å sammenligne pumpeolje med ny Enerpac-olje. Som en generell regel bør tanken tømmes og rengjøres hver 250 timer, oftere ved bruk i skitne miljøer.

MERK: Denne prosedyren krever at du fjerner pumpen fra tanken. Arbeid på en ren benk og kvitt deg med brukt olje i.h.t. lokale forskrifter.

1. Skru ut de 13 boltene som holder dekkplaten over tanken og løft pumpen ut av tanken. Vær forsiktig så du ikke skader filteret.
2. Tøm all olje ut av tanken.
3. Gjør tanken og tankmagneten grundig rene med et passende rengjøringsmiddel.
4. Ta ut filteret for å gjøre det rent. (Ikke trekk i filteret eller bunnen på inntaket for å unngå mulig skade). Gjør filteret rent med løsemiddel og en myk børste. Sett det på plass igjen.
5. Monter pumpen og tanken, og sett inn en ny tankpakning.
6. Fyll tanken med ren Enerpac hydraulikkolje. Tanken er full når oljestanden er midt på tittehullet (se figur 4).

6.3 Skifte av filterelement (valgfritt)

Som ekstrautstyr kan du bestille et filter for returlinjen. Filterelementet bør skiftes hver 250 timer, eller oftere i skitne miljøer. Filtermanifolden er utstyrt med en 1,7 bar bypass for å hindre sprekkdannelse ved overtrykk som kan oppstå hvis filteret tettes. Filterelementets delenummer er PF-25.

6.4 Rengjøring av eksospotten

Når pumpen kjøres i lange perioder, kan det dannes is på eksospotteelementet, og denne må fjernes. Eksospotten rengjøres ved å skru den ut og fjerne alle rester.

7.0 FEILSØKING (SE FEILSØKINGSGUIDE)

Kun kvalifiserte hydraulikere bør utføre service på pumpen eller på systemets komponenter. En systemfeil kan oppstå som følge av pumpefeil, men også av andre årsaker. For å finne årsaken til problemet må hele systemet inkluderes i enhver diagnostikk.

Følgende informasjon er ment som et hjelpemiddel for å avgjøre om et problem eksisterer. For reparasjon, kontakt ditt lokale Autoriserte Enerpac Servicesenter.

Feilsøkingmanual		
Problem	Mulig årsak	Løsning
Pumpen starter ikke	1. Luften er slått av eller linjen er blokkert	1. Se avsnitt 5.0 Drift
Motoren frikobles under belastning	1. Lavt lufttrykk 2. Filtret plagget, forurenset luft	1. Se avsnitt 4.3 2. Se avsnitt 6.4
Pumpen bygger ikke opp trykk, eller har mindre enn fullt trykk	1. Lavt oljenivå 2. Avlastningsventil satt for lavt 3. Ekstern systemlekkasje 4. Intern lekkasje i pumpen 5. Intern lekkasje i ventilen 6. Intern lekkasje i systemkomponent	1. Fyll på olje i.h.t. avsnitt 4.4 2. Juster i.h.t. avsnitt 5.2 3. Inspiser, reparer eller skift ut. 4. Se Autorisert Enerpac Servicesenter. 5. Se Autorisert Enerpac Servicesenter. 6. Se Autorisert Enerpac Servicesenter.
Pumpen bygger fullt trykk, men lasten beveger seg ikke	1. Last større enn sylinderkapasitet ved fullt trykk 2. Flyt til sylindere er blokkert	1. Reduser last eller øk sylinderkapasitet 2. Kontroller hydrauliske koblinger for fullstending sammenkobling
Sylindren drifter tilbake av seg selv	1. Ekstern systemlekkasje 2. Intern lekkasje i en systemkomponent 3. Ikke-lasteholdende ventil er brukt	1. Inspiser alle hydrauliske koblinger og bytt ut /reparer ved behov 2. Se Autorisert Enerpac Servicesenter. 3. Se Autorisert Enerpac Servicesenter.
1-trinns sylindere vil ikke returnere	1. Ingen last på en "lasteretur"-sylinder 2. Returflyt begrenset eller blokkert 3. Låseventil i bruk 4. Ventilfeil 5. Sylinderens returfjær er røket	1. Legg på last 2. Sjekk koblinger for fullstending sammenkobling 3. Kjør motoren under retur 4. Se Autorisert Enerpac Servicesenter. 5. Se Autorisert Enerpac Servicesenter.
2-trinns sylindere vil ikke returnere	1. Returflyt begrenset eller blokkert 2. Låseventil i bruk 3. Ventilfeil	1. Sjekk koblinger for fullstending sammenkobling 2. Installer oljekjøler for hydraulikkoljen 3. Se Autorisert Enerpac Servicesenter.
Pumpen går varm	1. Fremkjørings- eller returflyt begrenset 2. Høy romtemperatur	1. Sjekk koblinger for fullstending sammenkobling 2. Installer oljekjøler for hydraulikkoljen

L2671 Rev. C 11/10

Reparationsanvisningar för elektriska pumpar och till denna produkt finns tillgängliga på Enerpacs webbsida på www.enerpac.com, eller från ditt närmaste Enerpacauktoriserade servicecenter eller på Enerpacs försäljningskontor.

1.0 VIKTIGA MOTTAGNINGSSINSTRUKTIONER

Kontrollera att inga komponenter skadats under transport. Transportskador täcks inte av garantin. Meddela budet direkt om transportskador hittats. Budet ansvarar för alla reparations- och utbyteskostnader som uppkommit på grund av transportskador.

SÄKERHETEN FÖRST

2.0 SÄKERHETSFRÅGOR



Läs noggrant igenom alla instruktioner, varningar och försiktighetsåtgärder. Följ alla säkerhetsåtgärder för att undvika personskador eller skador på egendom under systemdrift. Enerpac kan inte hållas ansvariga för skada eller skador som uppkommit på grund av olämplig produktanvändning, brist på underhåll eller felaktig produkt- och/eller systemdrift. Kontakta Enerpac när osäkerhet uppstår gällande säkerhetsåtgärder och -drift. Om du inte fått utbildning inom hydraulisk högtryckssäkerhet, kan du höra med ditt distributions- eller servicecenter för en gratis Enerpac hydraulisk säkerhetskurs.

Att inte följa de följande försiktighetsåtgärderna och varningarna kan orsaka skador på utrustning och människor.

EN **FÖRSIKTIGHETSÅTGÄRD** används för att påvisa korrekta drifts- och underhållsprocedurer för att förhindra skador på utrustning eller annan egendom

EN **VARNING** indikerar en möjlig fara som kräver korrekta procedurer och rätt användning för att undvika personskador.

EN **RISK** visas bara när dina handlingar eller icke utförda handlingar kan orsaka allvarliga skador eller till och med dödsfall.



VARNING: Använd lämplig personlig skyddsutrustning när hydraulisk utrustning används.



VARNING: Befinn dig inte nära laster som hålls uppe genom hydraulik. En cylinder, som används som lastlyftare, får aldrig användas som lasthållare. Efter att lasten höjts och sänkts måste den alltid vara mekaniskt blockerad.



VARNING: ANVÄND BARA MYCKET HÅLLBAR UTRUSTNING FÖR ATT SÄKRA LASTERNA. Välj noggrant ut stål- och träblock som kan hålla lasten uppe. Använd aldrig en hydraulisk cylinder som ett mellanlägg i någon lyft- eller pressanordning.



FARA: Håll händer och fötter borta från cylinder och arbetsyta vid drift för att undvika personskador.



VARNING: Överskrid inte utrustningens prestandeförmåga. Försök aldrig lyfta en last som väger mer än cylindern klarar av. Överlastning orsakar fel i utrustningen och möjliga personskador. Cylindrarna har tillverkats för en maxvikt på 10,000 psi



(700 bar). Försök inte koppla en jack eller en cylinder till en pump som klarar ett högre tryck.



STÄLL ALDRIG in ventilen till ett högre tryck än det maximala tryck pumpen klarar av. En högre inställning kan resultera i skador på utrustning och/eller personskador.



VARNING: Systemets driftstryck får inte överstiga det trycket på den komponent som har lägst max. tryck, i systemet. Installera tryckmätare i systemet för att övervaka driftstrycket. Det är så du kan se vad som händer i systemet.



IAKTTA FÖRSIKTIGHET: Undvik att skada den hydrauliska slangen. Undvik snäva böjningar och öglor vid hantering av de hydrauliska slangarna. Användning av böjda eller öglade slangar kan orsaka undertryck. Snäva böjningar och öglor kan skada slangen invändigt vilket orsakar för tidig utslitning.



Släpp inte tunga saker på slangen. En hård stöt kan orsaka invändiga skador på slangens vajerslingor. Att applicera tryck på en skadad slang kan göra att den går sönder.



VIKTIGT: Lyft inte den hydrauliska utrustningen med slangarna eller snabbkopplingarna. Använd bärhandtagen eller andra hjälpmedel för en säker transport.



IAKTTA FÖRSIKTIGHET: Håll den hydrauliska utrustningen borta från brand och hetta. För mycket hetta kan göra att packningarna och ventilerna skadas, vilket resulterar i vätskeläckor. Hetta skadar också slangarna och packningarna. Utsätt inte utrustningen för temperaturer på 65 °C (150 °F) eller högre för en optimal prestanda. Skydda slangar och cylindrar från svetsstänk.



FARA: Hantera inte slangar med under tryck. Olja som tar sig ut under tryck kan penetrera huden och orsaka allvarliga skador. Uppsök läkare direkt om oljan sprutas in under huden.



VARNING: Använd bara hydrauliska cylindrar i ett kopplat system. Använd aldrig en cylinder med icke fästa kopplingar. Om cylindern blir extremt överbelastad kan komponenterna skadas vilket kan orsaka allvarliga personskador.



VARNING: SÄKERSTÄLL ATT UPPSTÄLLNINGARNA ÄR STABILA INNAN LASTLYFTNING. Cylindrarna skall placeras på en platt yta som kan hålla lasten. Använd en cylinderbas för ökad stabilitet när så är tillämpligt. Svetsa inte eller på annat sätt modifiera cylindern för att fästa en bas eller annat stöd.



Undvik situationer när laster inte är direkt centrerade på cylinderkolvorna. Ocentrerade laster belastar cylindrarna och kolvorna avsevärt. Dessutom kan lasten glida eller falla vilket orsakar möjliga farliga resultat.



Fördela lasten jämnt över hela lastytan. Använd alltid lastfördelning för att skydda kolven.



VIKTIGT: Hydraulisk utrustning får bara underhållas av en behörig hydraulisk tekniker. Kontakta ett behörigt ENERPAC servicecenter i ditt område vid behov av reparationer. Använd bara ENERPAC-olja för att skydda din garanti.



VARNING: Byt direkt ut utslitna eller skadade delar med äkta ENERPAC-delar. Standarddelar kan gå sönder vilket orsakar personskador och egendomsskador. ENERPAC-delar är tillverkade för att passa perfekt och motstå höga laster.



VARNING: Håll händerna borta från rörliga delar och trycksatta slangar.



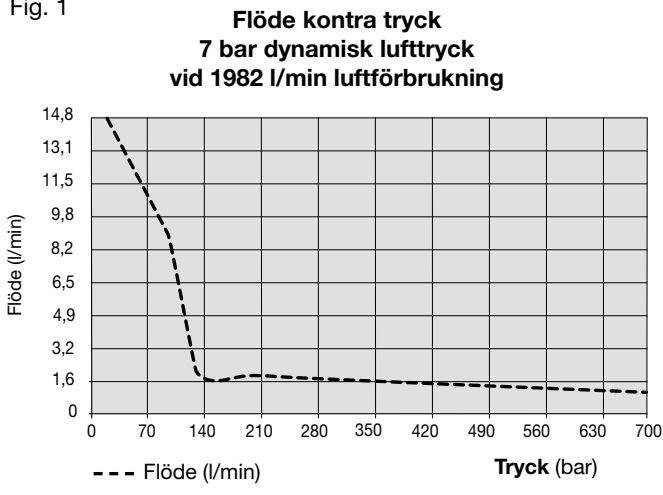
VARNING: Dessa pumpar har inbyggda, fabriksinställda säkerhetsventiler, som endast får repareras eller justeras av ett auktoriserat Enerpac servicecenter.

3.0 SPECIFIKATIONER

3.1 Prestandadiagram (se Prestandadiagram nedan)

3.2 Flödesschema (se Figur 1)

Fig. 1

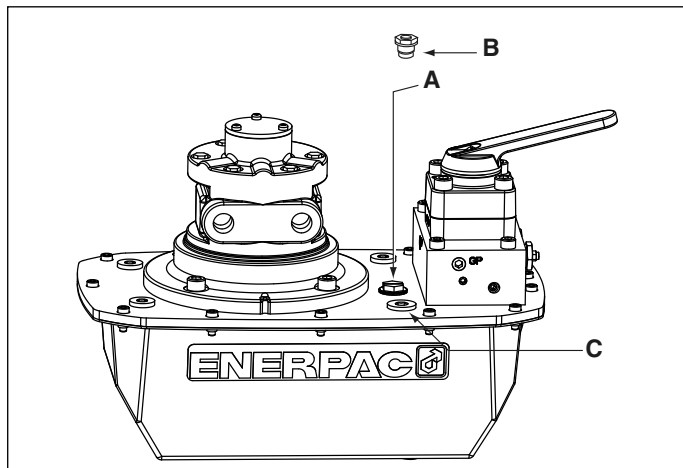


4.0 MONTERING

Montera eller placera pumpen för att säkerställa att luftflödet runt motorn och pumpen är fritt. Håll motorn ren för att säkerställa maximal kylning under drift.

4.1 Behållarens ventilatorlock (se figur 2)

För transportsyfte monteras en transportplugg (A) i ventilatorporten ovanpå behållaren. Byt ut transportpluggen mot ventilatorlocket (B) före användning. OBS! Ventilatorporten (B) är skild från oljepåfyllningsporten (C). Oljepåfyllningsporten (C) använder en SAE nr. 10 plugg.



Figur 2, ZA4-ventilatormontering

4.2 Pumpmontering

Se figur 3 för monteringsmått för att säkra pumpen vid en fast yta.

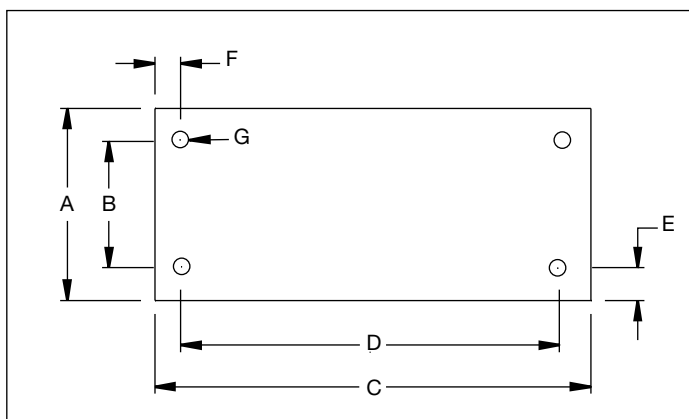


▼ PRESTANDADIAGRAM FÖR ZA4

Motorstorlek (hk)	Utflödeshastighet (l/min)				Dynamiskt lufttryck- sområde (bar)	Luftförbrukning (l/min)	Ljudnivå vid 6,9 bar dynamiskt lufttryck (dBA)	Säkerhetsventilens justeringsområde (bar)
	7 bar	50 bar	350 bar	700 bar				
4*	13,9	11,0	1,8	1,3	4,1-6,9	566-2832	94-97	70-700

* Faktisk strömförbrukning beror på tillämpningen. Se figur 1.

	4-8 L mm	10 L mm	20 L mm	40 L mm
A	240	305	421	505
B	95	279	396	480
C	414	446	446	446
D	229	305	305	305
E	73	13	13	13
F	92	71	71	71
G	M8x1,25 (12 mm) Ø 8,6 diameter genom hålet (6) djup			



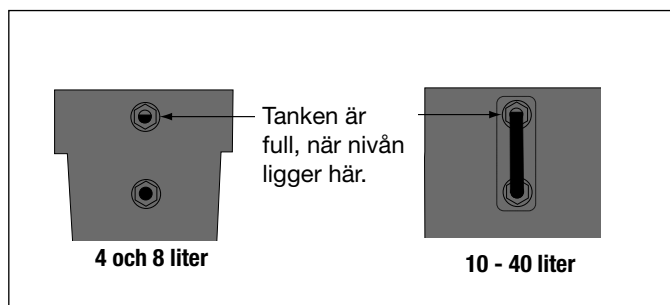
Figur 3

4.3 Lufttillförselanslutningar

Pumpen kräver 4,137 – 6,895 bar dynamiskt lufttryck vid 566-2832 lpm (20-100 cfm). En RFL-102 regulator-filter-smörjanordning ska monteras uppströms från luftintaget för att ge ren, oljeblandad luft, och möjliggöra justeringar av lufttrycket. Anslut den inkommande lufttillförseln till 1,27 cm (1/2-tums) NPT-porten på luftventilen.

4.4 Vätskenivå

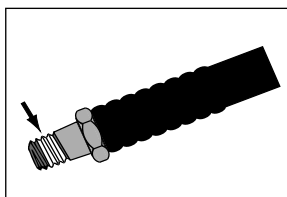
Kontrollera oljenivån i pumpen före igångsättning, och fyll vid behov på olja genom att ta bort SAE nr. 10 pluggen från kåpan (se figur 2). Behållaren är full, när oljenivån når överdelen av inspektionsglaset. (Fig. 4).



Figur 4

VIKTIGT! Fyll på olja endast när alla systemkomponenter dragits tillbaka, för annars kommer systemet att innehålla mer olja än behållaren kan rymma.

4.5 Hydraulanslutningar



Figur 5

Lägg på 1-1/2 varv med teflontejp, eller annan passande tätning, på hydraulslangsfästet, och lämna hela första gängan tejp- eller tätningsfri som figur 5 visar.

Gänga slang(ar) till ventilens utloppsport(ar) (se ventilhuset för portidentifiering).

Dra slang(en) till ventilport "A"

Returslang till ventilport "B" (om tillämpligt).

Mätare till ventilport "GA, GB, eller GP".

("GA" mäter "A"-portstryck, "GB" mäter "B"-portstryck och "GP" mäter pumphöjningen nedströms om systemkontrollen.)

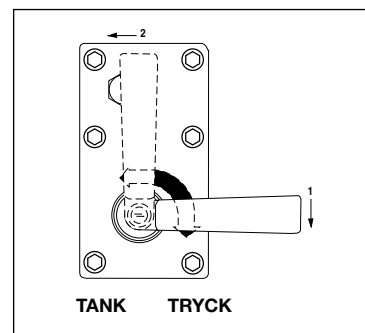
5.0 DRIFT

1. Kontrollera oljenivån i pumpen och fyll vid behov på olja.
2. Se till att transportpluggen har tagits bort och att ventilatorlocket monterats. (Se avsnitt 4.1)
3. Placera manuell reglerventil i neutralt läge.
4. Anslut enheten till lufttillförseln.
5. Skjut luftventilen inåt för att starta luftmotorn.
6. Skjut luftventilen utåt för att stänga av luftmotorn.

5.1 Manuell ventilmanövrering

VM32 (Se Fig. 6)

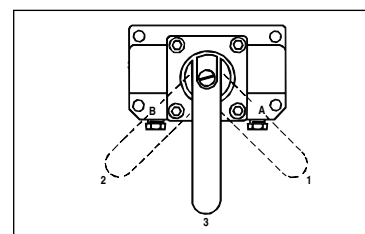
1. Matning
2. Retur (Neutral)



Figur 6

VM33, VM33L, VM43, VM43L (Se Fig. 7)

1. Matning
2. Retur
3. Neutral



Figur 7

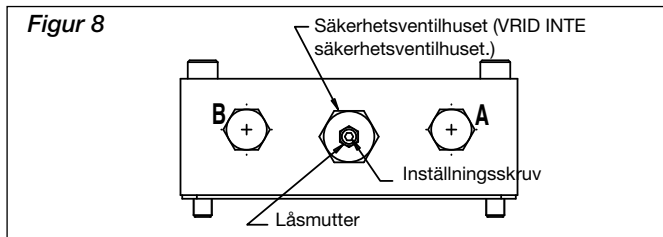
5.2 Justering av säkerhetsventilen

Pumpar av Z-klass är utrustade med en användarjusterbar säkerhetsventil (se figur 8). Den kan justeras på följande sätt:

1. Montera en mätare på pumpen.
2. Starta pumpen och låt oljan värmas upp.
3. Lossa inställningsskruvens låsmutter.
4. Slå om reglerventilen och bygg upp tryck i systemet. Använd en insexnyckel och vrid inställningsskruv moturs för att sänka trycket och medurs för att höja det.

OBS! För att få en noggrann inställning sänker du trycket till en punkt under den slutliga inställningen och höjer sedan trycket tills det når den slutliga inställningen.

5. Dra åt låsmuttern, när det önskade trycket inställts
6. Slå om reglerventilen till neutralläget, och låt systemtrycket återgå till 0 psi.
7. Kontrollera det slutliga trycket igen genom att slå om reglerventilen och trycksätta systemet.



6.0 UNDERHÅLL

Undersök regelbundet alla systemkomponenter och leta efter läckor eller skada. Reparera eller byt ut skadade komponenter.

6.1 Kontrollera oljenivån

Kontrollera oljenivån i pumpen före igångsättning, och fyll vid behov på olja genom att ta av locket på påfyllningsporten. Se alltid till att alla cylindrar är helt tillbakadragna innan du fyller på vätska i behållaren. Se figur 2.

6.2 Byte av olja och rengöring av behållaren

Enerpac HF-olja har en klar blå färg. Kontrollera regelbundet oljans tillstånd och leta efter föroreningar genom att jämföra oljan i pumpen med ny Enerpac-olja. Ta som regel att helt tappa ur och rengöra behållaren var 250:e körtimme, eller oftare om utrustningen använts i smutsiga miljöer.

OBS! Denna procedur kräver att du demonterar pumpen från behållaren. Arbeta på en ren bänk och kassera använd olja i enlighet med lokala bestämmelser.

1. Skruva loss de 13 bultar som håller täckplåten vid behållaren och lyft ut pumpenheten ur behållaren. Var försiktig så att du inte skadar filtersilen.
2. Tappa ut all olja ur behållaren.
3. Rengör behållaren och behållarens magnet noggrant med lämpligt rengöringsmedel.
4. Ta bort sugfiltersilen för rengöring. (Dra inte i silen eller i botten på intaget för att undvika eventuell skada.) Rengör silen med lösningsmedel och en mjuk borste. Sätt tillbaka den.
5. Montera ihop pumpen och behållaren och sätt på en ny packning på behållaren.
6. Fyll behållaren med ren Enerpac-hydraulolja. Behållaren är full när oljenivån ligger i mitten på inspektionsglaset (se figur 4).

6.3 Byte av filterinsats (extrautr.)

Ett returledningsfilter kan beställas som tillbehör till pumpen. Filterinsatsen ska bytas var 250:e körtimme, eller oftare i smutsiga miljöer. Filtergrenröret är utrustat med en förbikoppling på 25 psi (17 bar) för att förhindra övertrycksbristning om filtret skulle täppas igen. Filterinsatsens reservdelsnummer är PF-25.

6.4 Rengöring av ljuddämparen

När pumpen körs under längre tidsperioder kan is bildas på dämparelementet och måste avlägsnas. Rengör dämparen genom att skruva loss den och avlägsna allt skräp.

7.0 FELSÖKNING (se Felsökningsguiden)

Endast kvalificerade hydraultekniker ska serva pumpen eller systemkomponenterna. Ett systemfel kanske eller kanske inte är ett resultat av ett pumpfel. För att fastställa orsaken till problemet måste hela systemet inkluderas i alla diagnostikprocedurer.

Följande information är endast avsedd att användas som hjälp för att fastställa om problem föreligger. För reparationservice kontaktar du ditt lokala auktoriserade Enerpac-servicecenter.

Felsökningsguide		
Problem	Möjlig orsak	Åtgärd
Pumpen startar inte	1. Luften avstängd eller ledningen blockerad	1. Se avsnitt 5.0 Drift
Motorn tjuvstannar under belastning	1. Lågt lufttryck 2. Luftljuddämparen tilltäppt; förorenad luft	1. Se avsnitt 4.3 2. Se avsnitt 6.4
Pumpen misslyckas med att skapa tryck eller skapar mindre än fullt tryck	1. Låg oljenivå 2. Säkerhetsventilen inställd för lågt 3. Extern systemläcka 4. Intern läcka i pumpen 5. Intern läcka i ventilen 6. Intern läcka i systemkomponent	1. Fyll på olja enligt avsnitt 4.4 2. Justera enligt avsnitt 5.2 3. Undersök och reparera eller byt 4. Kontakta auktoriserat servicecenter 5. Kontakta auktoriserat servicecenter 6. Kontakta auktoriserat servicecenter
Pumpen bygger upp fullt tryck men belastningen flyttar sig inte	1. Belastning högre än cylinderns kapacitet vid fullt tryck 2. Flöde till cylinder blockerat	1. Minska belastning eller öka cylinderkapacitet 2. Kontrollera att hydraulkopplingarna är helt anslutna
Cylindern drar sig tillbaka av egen kraft	1. Extern systemläcka 2. Intern läcka i en systemkomponent 3. Ventil för icke-belastning används	1. Undersök alla hydraulanslutningar och byt ut eller reparera 2. Kontakta auktoriserat servicecenter 3. Kontakta auktoriserat servicecenter
Enkelverkande cylinder återgår inte	1. Ingen belastning på en "lastretur"-cylinder 2. Returflödet begränsat eller blockerat 3. Låsventil används 4. Ventilfel 5. Cylinderns returfjäder trasig	1. Lägg till belastning 2. Kontrollera att kopplingarna är helt anslutna 3. Kör motorn under retur 4. Kontakta auktoriserat servicecenter 5. Kontakta auktoriserat servicecenter
Dubbelverkande cylinder återgår inte	1. Returflödet begränsat eller blockerat 2. Låsventil används 3. Ventilfel	1. Kontrollera att kopplingarna är helt anslutna 2. Kör motorn under retur 3. Kontakta auktoriserat servicecenter
Pumpen går varm	1. Matar- eller returflödet begränsat 2. Hög omgivningstemperatur	1. Kontrollera att kopplingarna är helt anslutna 2. Installera värmväxlare för hydraulolja

L2671 Rev. C 11/10

本产品的维修部件说明可以从ENERPAC网站 WWW.ENERPAC.COM，或从您最近的ENERPAC服务中心，或ENERPAC办事处获得。

1.0 重要收货说明

检查所有零件是否存在运输损伤。运输过程中的损伤不在质保范围。如发现运输过程中的损伤，请立即通知承运商，其有责任承担由运输损坏造成的修理及更换费用。

安全第一

2.0 安全条例



阅读所有说明书，警告及注意事项。操作时，遵守一切安全规则，避免发生人身伤害及财产损失。如果用户由于非安全生产，缺乏正常维护，操作或使用不当而造成的人身伤害及财产损失，ENERPAC不负任何责任。如安全防范及措施有任何疑问，请和ENERPAC联系。如果您在高压液压方面从未接受过培训，请联系您本地区的分销商或服务中心进行免费的ENERPAC液压安全培训课程。

不遵守下列警示及防范条例，将会造成设备损坏及人身伤害。

注意-用来说明正确的操作、维护程序以及如何避免伤害或损坏设备及其他财产。

警告-说明一种潜在的危險，要求有正确的程序和习惯以避免人身伤害。

危險-仅是指您的某个动作（或缺乏某个动作）可能导致严重的伤害甚至死亡事故。



警告：当操作高压液压系统时应配备正确的劳动保护装备。



警告：不要在被液压支撑的负载下逗留。当油缸被用来作为顶升负载的装置时，绝不能够作为负载支撑装置来使用。在负载被顶升或下降后，必须采用机械装置牢固支撑。



警告：必须使用刚性物体来支撑重物。仔细选择能够承受重物的钢或者木块来支撑载荷。不要在顶升或挤压应用中将液压缸当作垫块使用。



危险：为避免人身伤害，操作中手脚与油缸和工作件保持一定距离。



警告：在顶升负载时，绝对不要超过油缸额定负载。超载将导致设备损坏和人身伤害。油缸的设计最大压力为700bar。不要将油缸和千斤顶连接在更高压力等级的泵上



注意：绝对不要将安全阀的压力设定高过泵的最高压力等级。过高的设定会导致设备损坏和人身伤害。



警告：系统的最大工作压力决不能超过系统中最低压力等级原件的最大工作压力。安装压力表在系统中以检测系统压力。压力表是您观察液压系统的窗口。



注意：避免损坏软管。在排放软管时应避免过度弯曲和绞结软管。使用过度弯曲或绞结的软管将会产生极大的背压。过度弯曲和绞结软管将损坏软管内部结构，从而导致油管过早失效。



避免：将重物砸压在油管上。剧烈的冲击会对油管内部钢丝编织产生损害。给有损伤的油管加压会导致油管爆裂。



重要：严禁提拉软管或旋转接头来提起液压设备。应使用搬运手柄或其他安全方式。



注意：使液压设备远离明火或过热源。过热会软化衬垫和密封，导致油液泄漏。热量也会弱化软管材料和包装。为了达到最佳工作状态，不要让设备处于65°C或更高温度中。保护软管和油缸免受焊接火花的喷溅。



危险：不要用手触摸打压状态的软管。飞溅出的压力油能射穿皮肤，导致严重的伤害。如有压力油溅到皮肤上，请立即去看医生。



警告：只能在系统全部连接好后才能使用油缸，决不能在系统未完全连接时使用油缸。如果油缸极度过载，各部件将产生不可挽回的损坏，其结果导致极为严重的人身伤亡。



警告：在顶升负载前应确保安装件的稳定性。油缸应放置在一个可承受负载的平坦平面上。在一些应用中可使用油缸底座提高油缸稳定性。不要用焊接或其他更改方法加固油缸底部。



避免：负载的力作用线没有穿过油缸活塞杆的中心。偏心负载将会在油缸和活塞杆上产生相当大的张力，此外负载也可能滑移和倒下产生潜在危险。



将负载作用力完全分配到整个鞍座表面。始终使用鞍座保护活塞杆。



重要： 液压设备必须由有资质的液压技术人员维护。如需修理维护，请与您区域内的ENERPAC授权服务中心联系。请使用ENERPAC液压油，以保护ENERPAC对您设备的质量保证。

警告： 及时用正牌的ENERPAC零件替换已磨损或已损坏的零普通级别的零件会破裂，导致人身伤害和财产损失。ENERPAC零部件被设计来承受高压载荷。



警告： 让双手远离移动的零件和压力软管。

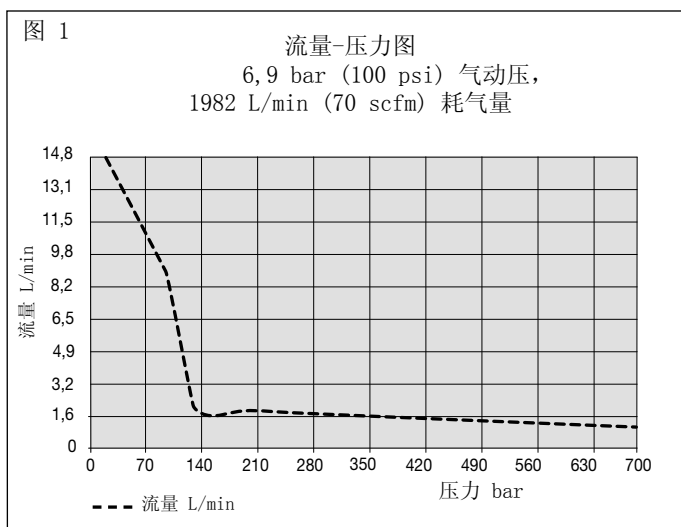


警告： 这些泵带有内部泄压阀，这些阀在出厂时都已调节妥当；必要时，只能由授权的“Enerpac 服务中心”工作人员进行修理或调节。

3.0 规格

3.1 性能图（参见下面的性能图）

3.2 流程图



4.0 安装

安装泵或对其进行定位，确保电机和泵周围的气流畅通无阻。让电机保持清洁，确保在操作过程中获得最大冷却效果。

4.1 油箱通气管帽（见图 2）

为了便于运输，油箱顶部的通气口中安装有运输管塞（A）。使用前，请将运输管塞换成通气管帽（B）。注：通气口与加油口（C）彼此独立。加油口（C）使用的是 SAE #10 塞。

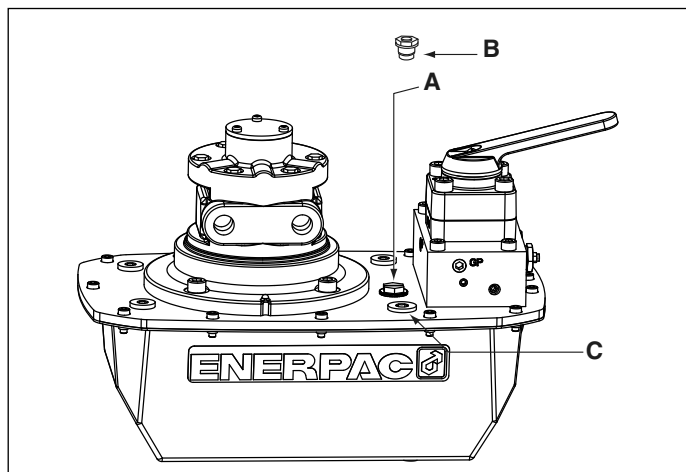


图 2 - ZA4 通气装置安装图

4.2 安装泵

图 3 显示了将泵安装在固定平面时的安装尺寸。

	4-8 L mm	10 L mm	20 L mm	40 L mm
A	240	305	421	505
B	95	279	396	480
C	414	446	446	446
D	229	305	305	305
E	73	13	13	13
F	92	71	71	71
G	M8, 12 mm 深度 0.25 (6)	直径 \varnothing .34 (8.6) 的通孔		



▼ ZA4 性能图

电机功率 KW	输出流动速率 (l/min)				气动压范围 (bar)	气耗量 (l/min)	气动压为 6,9 bar 时的声音等级 (dBA)	泄压阀调节范围 (bar)
	7 bar	50 bar	350 bar	700 bar				
4*	13,9	11,0	1,8	1,3	4,1-6,9	566-2832	94-97	70-700

* 实际功耗取决于具体应用。见图 1。

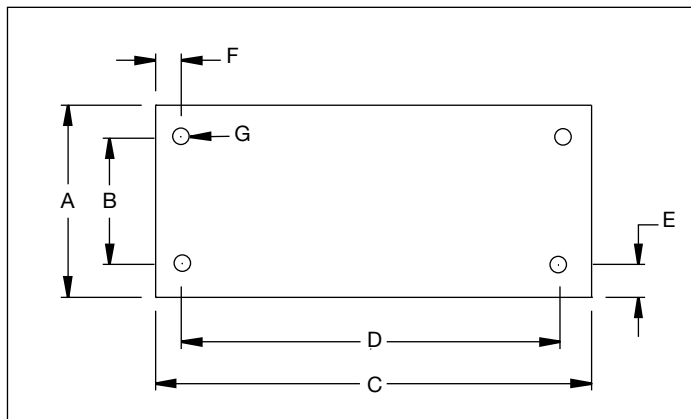


图 3

4.3 连接气源

泵要求 4.2-7 bar (60-100 psi) 的气动压、566-2831 l/min (20-100 cfm) 的流量。应该在空气进口上游安装 RFL-102 调节器-过滤器-润滑器，以便提供清洁润滑的空气，实现气压调节。将进气源连接到气阀的 1/2" NPT 口上。

4.4 油位

启动前检查泵的油位，必要时，从盖板上拔掉 SAE #10 塞，然后给泵加油（见图 2）。当油位到达观察孔顶部时，就表明油箱已充满。（见图 4）。

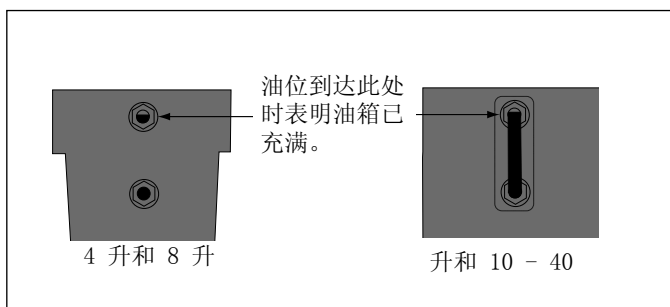


图 4

重要事项：只能在所有系统组件都缩回时加油，否则，系统中的油量会超过油箱容量

4.5 液压连接

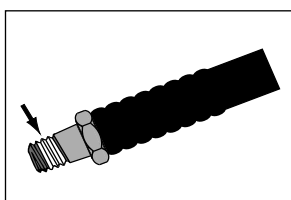


图 5

在液压软管接头上缠上 1-1/2 圈特氟纶胶带或其他适合的密封物，第一道全螺纹不要缠绕胶带或密封物，如图 5 所示。

将软管穿到阀的出口中（在阀体上查找端口标志）。

将软管延伸到阀口“A”

将软管收缩到阀口“B”（如适用）。

测量阀口“GA、GB 或 GP”。

（“GA”测量“A”端口压力，“GB”测量“B”端口压力，“GP”测量系统止回阀的下游泵压力）。

5.0 操作

1. 检查泵的油位，根据需要加油。
2. 请务必卸下运输管塞，安装通气管帽。（见第 4.1 节）
3. 将手动控制阀放在中间位置。
4. 将设备和气源相连
5. 要启动压缩空气发动机，请将气阀向内滑动。
6. 要停止压缩空气发动机，请将气阀向外滑动。

5.1 手控阀操作

VM32（见图 6）

1. 前进
2. 后退（中间）

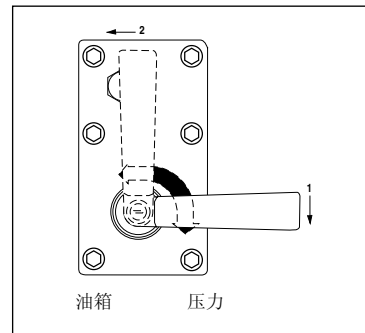


图 6

VM33, VM33L, VM43, VM43L（见图 7）

1. 前进
2. 后退
3. 中间

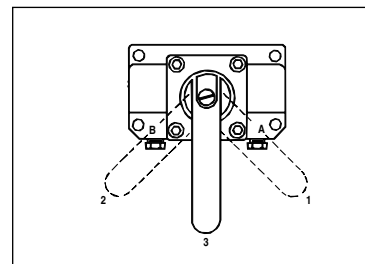


图 7

5.2 泄压阀调节

Z 型泵配备有一个用户可以调节的泄压阀（见图 8）。它的调节方法如下：

1. 在泵上安装一个压力计。
2. 启动泵让油升温。
3. 拧松固定螺钉的锁定螺母。
4. 切换控制阀，给系统打压。使用通用扳手旋转固定螺钉，逆时针旋转可以降低压力，顺时针旋转可以提高压力。
注：要获得精确设置，请将压力降低到最终设置的某一点，然后缓慢提高压力，直到其达到最终设置为止。
5. 设置所需压力后拧紧锁定螺母。
6. 将控制阀切换到中间位置，以便让系统压力返回到 0 bar。
7. 通过切换控制阀并为系统增压，重新检查最终压力设置。

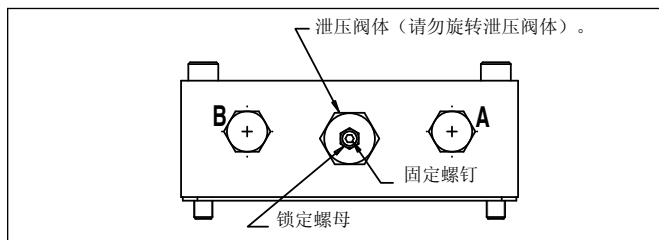


图 8

6.0 维护

经常检查所有系统组件是否存在泄漏或损坏。维修或更换损坏的组件。

6.1 检查油位

启动前检查泵的油位，必要时，卸下加油口的盖子加油。为油箱加油前，始终确保汽缸已完全缩回。见图 2。

6.2 换油和清洁油箱

Enerpac HF 油呈现清澈的蓝色。经常比较泵中的油与新鲜 Enerpac 油，检查油的污染状况。一般情况下，每隔 250 小时需要将油箱完全排空，然后清除干净；如果是在肮脏环境中使用，清洁频率要更高一些。

注：此程序需要您从油箱上卸下泵。工作时请使用干净工作台，用过的油应根据地方法规进行处理。

1. 卸下将盖板固定到油箱上的 13 个螺栓，然后将泵组从油箱中提出来。小心操作，不要损坏滤网。
2. 从油箱中倒出所有的油。
3. 用适合的清洁剂彻底清洁油箱和油箱磁铁。
4. 卸下传感器滤网进行清洁。（不要拉滤网或进口的底部，以免损坏设备。）用溶剂和柔软的刷子清洁滤网。重新安装。
5. 重新安装泵和油箱，安装一个新的油箱垫圈。
6. 将清洁的 Enerpac 液压油加入油箱。油位达到观测计中部时表明油箱已满（见图 4）。

6.3 更换过滤器元件（可选）

回油管路过滤器在订购时可作为泵的附件。过滤器元件每使用 250 小时就需要更换，如果在肮脏环境中使用，更换频率要更高些。过滤器歧管上有一个 1.7 bar (25 psi) 的旁通阀，其目的是避免在发生过滤器阻塞时因压力过高出现破裂。过滤器元件替换零件号为 PF25。

6.4 清洁消声器

当泵运行比较长的时间后，消声器元件上可能会形成冰，这些冰必须清除掉。要清洁消声器，请拧松螺钉，然后清除所有碎屑

7.0 故障排除（参见《故障排除指南》）

只有合格的液压技术人员才能维修泵或系统组件。系统故障不一定是由泵故障导致的。要确定问题原因，诊断过程必须包括整个系统。

以下信息仅用于帮助确定是否存在问题。有关维修服务，请联系您当地的授权“Enerpac 服务中心”。

故障排除指南		
问题	可能的原因	操作
泵无法启动	1. 无法进气或线路阻塞	1. 参见第 5.0 节“操作”了解详细信息
电机在承受负载后停止运转	1. 气压低 2. 消声器阻塞；空气污染	1. 参见第 4.3 2. 参见第 6.4
泵无法打压或无法打上全压	1. 油位低 2. 泄压阀设定过低 3. 外部系统泄漏 4. 泵存在内部泄漏 5. 阀存在内部泄漏 6. 系统组件存在内部泄漏	1. 按照第 4.4 节加油 2. 按照第 5.2 节调节 3. 检查并维修或更换 4. 参见授权的服务中心 5. 参见授权的服务中心 6. 参见授权的服务中心
泵能打上全压，但负载不能移动	1. 全压时负载大于汽缸的承受能力 2. 进入汽缸的流体被阻塞	1. 减少负载或增加汽缸容量 2. 检查汽缸接头是否完全啮合
汽缸自行返回	1. 外部系统泄漏 2. 系统组件存在内部泄漏 3. 使用了无负载止回阀	1. 检查所有液压连接，然后进行更换或维修 2. 参见授权的服务中心 3. 参见授权的服务中心
单动式汽缸没有复位	1. “负载复位”汽缸没有承载 2. 回流受限制或受阻 3. 使用了锁紧阀 4. 阀故障 5. 汽缸复位弹簧损坏	1. 增加负载 2. 检查接头是否完全啮合 3. 收缩过程中运行电机 4. 参见授权的服务中心 5. 参见授权的服务中心
双动式汽缸没有复位	1. 回流受限制或受阻 2. 使用了锁紧阀 3. 阀故障	1. 检查接头是否完全啮合 2. 收缩过程中运行电机 3. 参见授权的服务中心
泵变热	1. 前进或后退流受限制 2. 环境温度高	1. 检查接头是否完全啮合 2. 为液压油安装热交换器

L2671 Rev. C 11/10

エナパック製品のリペーパーツシートはエナパックのホームページwww.enerpac.comよりダウンロードして入手することが出来ます。またはお近くのエナパック認定サービスセンターあるいはエナパック営業所にお問い合わせください。

1.0 納品時の重要指示

全ての部品類に運送中の損傷がないか目視で確かめてください。運送中の損傷は保証されません。運送中の損傷が見つかった場合、すぐに運送業者に連絡してください。運送中に生じた損傷については、運送業者が修理費や交換費を全て負担します。

安全第一

2.0 安全事項



指示、警告、注意は必ずよくお読みください。安全注意事項に従って、システム操作中に、人身事故や器物破損が起こらないようにしてください。エナパックは、不安全な製品の使用、保守の不足、製品及び/又はシステムの不正な操作から生じる損傷や怪我には責任を負いません。安全注意事項及び操作に関して疑問点があれば、エナパックまでお問い合わせください。高圧油圧の安全に関する訓練を受けたことがない場合、無料のエナパックハイドロリック安全コースについて、担当の販売店又はサービスセンターにお問い合わせください。

以下の注意及び警告に従わない場合、装置破損や人身事故の原因となる恐れがあります。

注意は、装置やその他器物の破損を防止するための、適正な操作や保守手順を示す場合に使われます。

警告は、人身事故を予防するために適正な手順や心得が必要な、潜在的な危険性を示します。

危険は、重傷や死亡事故の原因となる恐れがある、禁止行為又は必須行為を示します。



警告：油圧によって支える荷物はきれいにしておいてください。



警告：シリンダを荷揚げのために利用する場合、絶対に荷重保持には使用しないでください。荷物を揚げ降ろした後は、必ず機械的なブロック(固定)を施してください。



警告：荷物の保持には、必ず頑丈なものを使用してください。荷物を支持可能なスチール製又は木製のブロックを慎重に選んでください。どのような荷揚げ又はプレスであっても、油圧シリンダを絶対にシム又はスペーサーとして使用しないでください。



危険：操作中は、人身事故を防止するため、シリンダや作業物から手足を離してください。



警告：装置の定格を超えないようにしてください。シリンダの能力を超える重量の荷揚げは絶対に行わないでください。過荷重は、装置の故障や場合によっては人身事故の原因となります。シリンダに設計されている最大圧力は、70 μ paです。ジャッキやシリンダは、低格で70 μ paを超える圧力のポンプには接続しないでください。



リリーフバルブは、ポンプの最大定格圧力以上の高圧に設定しないでください。高圧に設定すると、装置の破損及び/又は人身事故の原因となる恐れがあります。リリーフバルブは触らないでください。



警告：システムの使用圧力は、システム内の最低定格部品の圧力定格を超えないようにしてください。圧力計をシステムに取り付けて、使用圧力をモニターしてください。システムの監視は、各自が行ってください。



注意：油圧ホースを損傷させないでください。油圧ホースは、敷設時に折り曲げたりねじったりしないでください。ホースを折れ曲がったりねじれたままにしておくと、ホースの内部が損傷して、早期故障を引き起こします。



ホースの上に重い物を落とさないでください。強い衝撃によって、ホース内部のワイヤストランドが損傷する恐れがあります。損傷しているホースに圧力をかけると、破裂する恐れがあります。



重要：油圧装置は、ホースやスイベルカップラを使って持ち上げないでください。安全に移動させるために、キャリングハンドルやその他の手段を用いてください。



警告：油圧シリンダは、必ず連結システムで使用してください。カップラを接続していないシリンダは使用しないでください。シリンダは、極度な過荷重を受けると、部品が破壊されて、重大な人身事故の原因となります。



警告：荷揚げの前に、安定して設置されていることを確かめてください。シリンダは、荷物の重量に耐えることができる平面に配置してください。適用できる場合は、シリンダベースを使用して、さらに安定性を確保してください。シリンダは、ベースやその他の支持物に取り付ける際に、溶接したり変形させないでください。



荷物が直接シリンダプランジャ上の中心に置かれない状態は避けてください。偏心荷重は、シリンダとプランジャに相当なひずみを与えます。また、荷物が滑ったり落下して、危険な状況を引き起こす恐れがあります。



荷物はサドル全面に渡って均等に配置してください。プランジャを保護するため、必ずサドルを使用してください。



重要：油圧装置は、必ず有資格油圧技術者が整備点検を行ってください。修理サービスについては、最寄のエナバックサービスセンターにお問い合わせください。保証を受けるためには、必ずエナバックオイルを使用してください。



警告：動いている部品や圧力のかかったホースに触れないようにしてください。



警告：これらのポンプには弊社工場調整済みの安全弁がついています。この弁は、認定を受けたエナバックサービスセンター以外で修理または調整を行ってはなりません。

 II 2 GD ck T4

▼ ZA4性能表

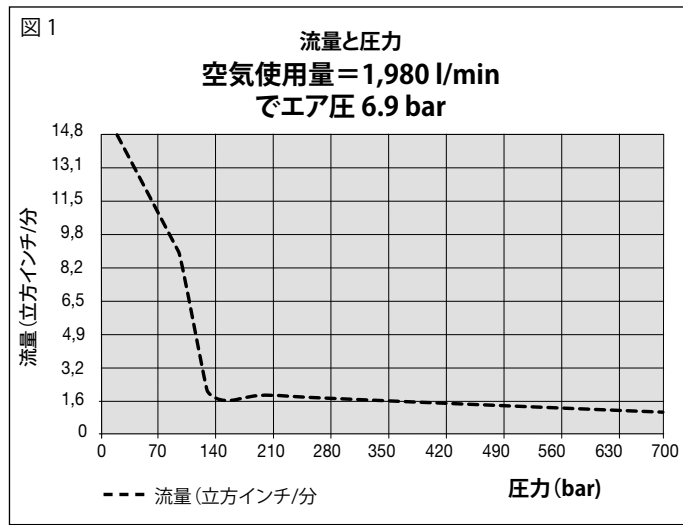
モーターのサイズ (hp)	出力流量(立方インチ/分)				エア圧範囲 (bar)	空気使用量 (scfm)	エア圧 6.9 bar) のときの音圧レベル (dBA)	安全弁の調整範囲 (bar)
	7 bar	50 bar	350 bar	700 bar				
4*	13,9	11,0	1,8	1,3	4,1-6,9	20-100	94-97	1000-10,000

* 実際の消費電力は、用途によって異なります。図1を参照。

3.0 仕様

3.1 性能表(下記の性能表を参照)

3.2 流量図



4.0 設置

モーターとポンプ周辺の空気の流れを妨げないようにポンプを設置します。運転中は最大限に冷却ができるようにモーターを清潔に保ちます。

4.1 タンクのブリーザキャップ(図2を参照)

輸送時には、タンク上面のブリーザポートに輸送用プラグ(A)が取り付けられます。使用前に、輸送用プラグをブリーザキャップ(B)に交換します。注意:ブリーザポート(B)は、オイル充填ポート(C)とは別になっています。オイル充填ポート(C)には、SAE #10プラグを使用します。

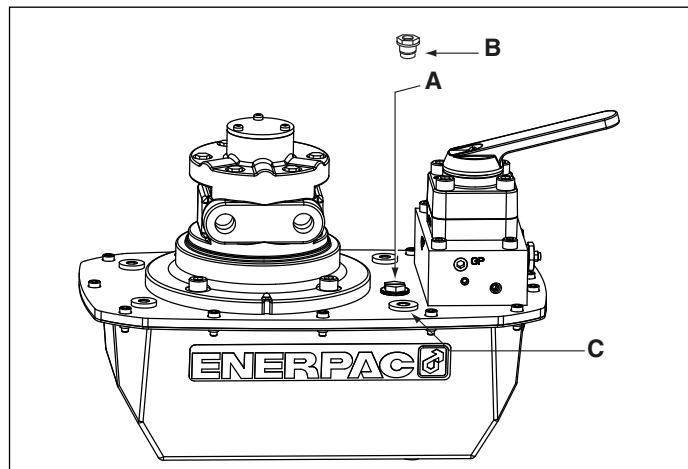


図2、ZA4ブリーザの取り付け

4.2 ポンプの設置

ポンプを固定された面にしっかりと取り付けるために必要な寸法については、図3を参照してください。

	4-8 L mm	10 L mm	20 L mm	40 L mm
A	240	305	421	505
B	95	279	396	480
C	414	446	446	446
D	229	305	305	305
E	73	13	13	13
F	92	71	71	71
G	M8 x 1,25 (12 mm) (6)深さ		直径Ø8.6の貫通穴	

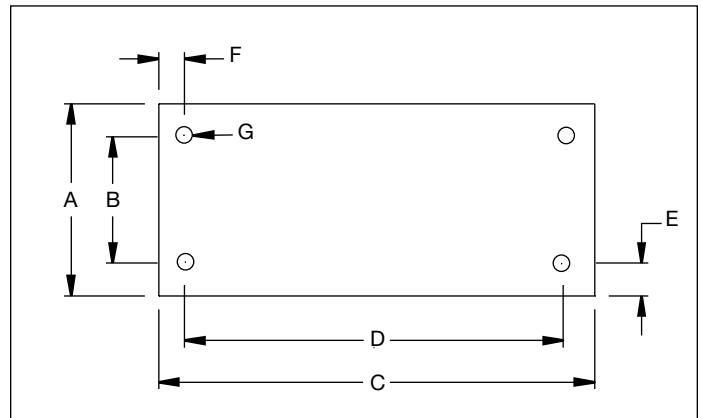


図3

4.3 吸気用配管の接続

ポンプは、20~100 cfm (570~2,830 l/min) の流量に対して60~100 psi (4.1~6.9 bar) のエア圧を必要とします。吸気用配管の上流にRFL-102レギュレータ/フィルター/ルブリケーターを取り付け、汚れがなく潤滑された空気を供給するとともに圧力を調節できるようにします。供給する空気配管は、エアバルブの1/2" NPTねじの接続口に接続します。

4.4 液面

始動前にオイルレベルを確認し、必要であればカバープレートからSAE #10プラグを外してオイルを追加します(図2参照)。オイルレベルがガラスボルトの覗き穴の一番上に達したら一杯です。(図4)

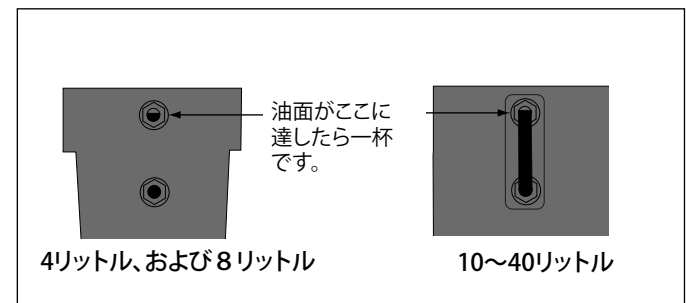


図4

重要:すべてのシステム部品が収納されてからオイルを追加します。そうしないと、オイルタンクの容量以上のオイルがシステムに入ってしまう。

4.5 油圧接続

テフロンテープまたはその他の適切なシール材を油圧ホースの継手に1~1/2回転巻き付け、図5のように1つめのネジ山を完全に露出させた状態にします。

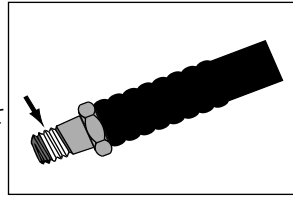


図 5

ホースをバルブの放出ポートにねじ込みます (バルブ本体を見て、ポートを識別してください)。

前進用ホースはバルブポート「A」へ。

戻り側ホースはバルブポート「B」へ (該当する場合)。

ゲージはバルブポート「GA、GBまたはGP」へ。

(「GA」は「A」ポートの圧力を、「GB」は「B」ポートの圧力を、「GP」はシステム チェック用に下流側ポンプ圧力を測定します)。

5.0 運転

1. ポンプのオイルレベルを確認して、必要ならオイルを追加します。
2. 搬送用プラグを取り外し、ブリーザキャップが取り付けられていることを確認します。(セクション4.1参照)
3. 手動制御バルブを中立の位置にしてください。
4. ユニットに吸気用配管を接続します。
5. エアモーターを始動するには、エアバルブを内側にスライドさせます。
6. エアモーターを停止するには、エアバルブを外側にスライドさせます。

5.1 手動によるバルブ操作 VM32 (図6参照)

1. 前進
2. 後退(中立)

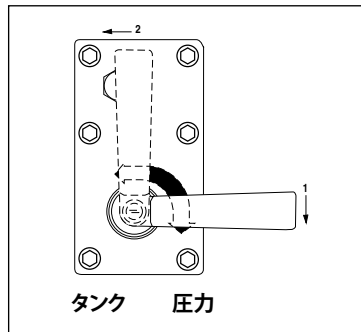


図 6

VM33, VM33L, VM43, VM43L (図 7を参照)

1. 前進
2. 後退
3. 中立

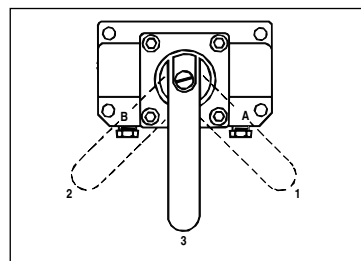


図 7

5.2 逃し弁の調整

Z-Classのポンプには、調整可能な安全弁が付属しています (図8を参照)。調整は以下のように行います。

1. ポンプにゲージを取り付けます。
2. ポンプを始動してオイルを温めます。
3. ネジの固定用ナットを緩めます。
4. 制御バルブを動かしてシステムに圧力をかけます。アレンレンチを使用して、圧力を下げるには反時計回りに、上げる場合は時計回りに設定ネジを回します。

注意:正確に設定を行うには、圧力を最終的に設定圧力より低くしてから、最終的な設定圧力までゆっくり圧力を上げます。

5. 目的の圧力に設定されたら、固定用ナットを締め付けます。
6. 制御バルブを中立の位置にして、システムの圧力を0 psiに戻します。
7. 制御バルブを動かしてシステムに圧力をかけ、最終的な設定圧力を再確認します。

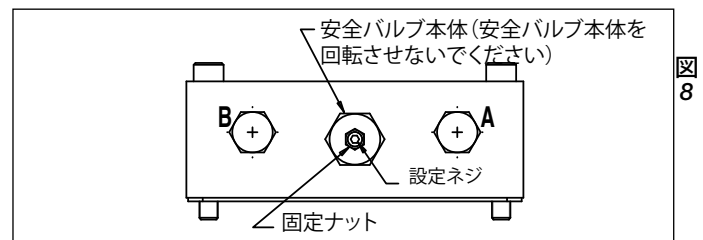


図 8

6.0 メンテナンス

漏れや損傷が発生していないか、システムの部品すべてを頻繁に検査します。損傷した部品は修理または交換します。

6.1 オイルレベルの確認

始動前にオイルレベルを確認し、必要であれば補充ポートキャップを外してオイルを追加します。オイルタンクにオイルを追加する前に、シリンダが完全に後退していることを常に確認してください。図2を参照。

6.2 オイルの交換とオイルタンクの洗浄

Enerpac HFオイルは、鮮やかな青色をしています。ポンプのオイルと新品のEnerpacオイルの状態を比較することにより、オイルの汚染状態を頻繁に確認します。一般的に、250時間毎、または汚れた環境で使用している場合はこれより短い期間で、オイルタンクからオイルを完全に抜いて洗浄します。

注意:この手順を行うには、ポンプをオイルタンクから取り外す必要があります。汚れていない作業台で洗浄を行い、使用済みのオイルは地域の規則に従って処分します。

1. オイルタンクのカバープレートを固定している13本のボルトを外して、ポンプユニットをオイルタンクから取り外します。フィルタスクリーンを損傷しないように注意します。
2. すべてのオイルをオイルタンクから抜き取ります。
3. オイルタンクとオイルタンクのマグネットを適切な洗浄剤で完全に洗浄します。
4. ピックアップフィルタスクリーンを取り外して洗浄します。(損傷を避けるために、スクリーンや吸入口の底を引っ張らないでください)スクリーンを溶剤と柔らかいブラシを使って洗浄します。元に戻します。
5. ポンプとオイルタンクをもう一度組み立て、新しいオイルタンク

クガセットを取り付けます。

6. オイルタンクに新しいEnerpac油圧油を注入します。タンクは、オイルレベルが覗き穴の中央に達したら一杯です (図4参照)

6.3 フィルタエレメント(オプション)の交換

リターンラインフィルタを付属品としてポンプに取り付けることができます。フィルタエレメントは、250時間毎、または汚れた環境で使用する場合にはこれより短い期間で交換します。フィルタマニホールドには、フィルタが詰まった場合に過圧力による破断を防ぐために25 psi (1.7 bar) のバイパスが取り付けられています。フィルタエレメントの交換部品番号はPF25です。

6.4 消音器の清掃

ポンプを長時間使用していると、消音器エレメントに着氷する場合があります。除去する必要があります。消音器を清掃するには、ねじを緩めて外し、汚れを除去します。

7.0 トラブルシューティング(トラブルシューティングガイドを参照)

資格を持った油圧技術者だけが、ポンプまたはシステム部品の整備を行ってください。システムの障害は、ポンプの不調が原因の場合とそれ以外の原因による場合があります。問題の原因を特定するには、あらゆる点検手順でシステム全体を点検する必要があります。

以下の情報は、問題がある場合に、原因の特定を補助する目的のみ使用してください。点検修理についてはお近くの正規Enerpacサービスセンターにご連絡ください。

トラブルシューティングガイド		
問題	考えられる原因	処置
ポンプが始動しない	1. 空気の供給が遮断されているか配管が詰まっている	1. 詳細はセクション5.0「運転」を参照してください
負荷がかかるとモーターが停止する	1. エア圧が低い 2. 消音器が詰まっている、空気が汚れている	1. セクション4.3 2. セクション6.4
ポンプで加圧できない。または最高圧力に達しない	1. オイルのレベルが低い 2. 逃し弁の設定が低過ぎる 3. 外部システムで漏れが発生している ポンプ内部で漏れが発生している 5. バルブ内部で漏れが発生している 6. システム部品内で漏れが発生している	1. セクション4.4を参照してオイルを補充する 2. セクション5.2を参照して調節する 3. 点検して、修理または交換を行う 4. 正規サービスセンターに問い合わせる 5. 正規サービスセンターに問い合わせる 6. 正規サービスセンターに問い合わせる
ポンプの圧力は完全にかかっているが、負荷を動かさない	1. 最高圧力でのシリンダの能力よりも負荷が大きい 2. シリンダへの流れが妨げられている	1. 負荷を減らすかシリンダの容量を増加させる 2. 油圧カプラーが完全に接続されているか確認する
シリンダが戻ってしまう	1. 外部システムで漏れが発生している 2. システム部品内で漏れが発生している 3. 負荷に耐えられないバルブを使用している	1. すべての油圧接続を検査し、交換または修理する 2. 正規サービスセンターに問い合わせる 3. 正規サービスセンターに問い合わせる
単動シリンダが戻らない	1. 「負荷復帰」シリンダに負荷がかかっていない。 2. リターンの流れが妨げられているか、遮断されている 3. ロッキングバルブを使用している 4. バルブの動作不良が発生している 5. シリンダのリターンスプリングが破損している	1. 負荷を加える 2. カプラーが完全に接続されているか確認する 3. 後退時にモーターを動作させる 4. 正規サービスセンターに問い合わせる 5. 正規サービスセンターに問い合わせる
複動シリンダが戻らない	1. リターンの流れが妨げられているか、遮断されている 2. 前進または後退の流れが妨げられている 3. 周囲温度が高い	1. カプラーが完全に接続されているか確認する 2. 後退時にモーターを動作させる 3. 正規サービスセンターに問い合わせる
ポンプが熱くなる	1. 前進または後退の樹1が妨げられている 2. 周囲温度が高い	1. カプラーが完全に接続されているか確認する 2. 油圧油用熱交換器を取り付ける

Enerpac Worldwide Locations

◆ e-mail: info@enerpac.com

◆ internet: www.enerpac.com

Africa

ENERPAC Middle East FZE
Office 423, JAFZA 15
P.O. Box 18004
Jebel Ali, Dubai
United Arab Emirates
Tel: +971 (0)4 8872686
Fax: +971 (0)4 8872687

Australia, New Zealand Actuant Australia Ltd.

Block V Unit 3
Regents Park Estate
391 Park Road
Regents Park NSW 2143
(P.O. Box 261) Australia
Tel: +61 297 438 988
Fax: +61 297 438 648

Brazil

Power Packer do Brasil Ltda.
Rua dos Inocentes, 587
04764-050 - Sao Paulo (SP)
Tel: +55 11 5687 2211
Fax: +55 11 5686 5583
Toll Free in Brazil:
Tel: 0800 891 5770
ventasbrasil@enerpac.com

Canada

Actuant Canada Corporation
6615 Ordan Drive, Unit 14-15
Mississauga, Ontario L5T 1X2
Tel: +1 905 564 5749
Fax: +1 905 564 0305
Toll Free:
Tel: +1 800 268 4987
Fax: +1 800 461 2456
Technical Inquiries:
techservices@enerpac.com

China

Actuant Industries Co. Ltd.
No. 6 Nanjing Road
Taicang Economic Dep Zone
Jiangsu, China
Tel: +86 0512 5328 7529
+86 0512 5328 7500 7529
Fax: +86 0512 5335 9690

Actuant China Ltd. (Peking)

709B Diyang Building
Xin No. 2
Dong San Huan North Rd.
Beijing City
100028 China
Tel: +86 10 845 36166
Fax: +86 10 845 36220

France, Switzerland francophone

ACTUANT - ENERPAC
France S.A., ZA de Courtaboeuf
32, avenue de la Baltique
91140 Villebon / Yvette
France
Tel: +33 1 60 13 68 68
Fax: +33 1 69 20 37 50

Germany, Austria, Switzerland, Greece, Baltic States, Central and Eastern Europe

ENERPAC GmbH
P.O. Box 300113
D-40401 Düsseldorf
Willstätterstrasse 13
D-40549 Düsseldorf
Germany
Tel: +49 211 471 490
Fax: +49 211 471 49 28

India

ENERPAC Hydraulics
(India) Pvt. Ltd.
No. 1A,
Peenya Industrial Area,
IInd Phase
Bangalore, 560 058 India
Tel: +91 80 40 792 777
Fax: +91 80 40 792 792

Italy

ENERPAC S.p.A.
Via Canova 4
20094 Corsico (Milano)
Tel: +39 02 4861 111
Fax: +39 02 4860 1288

Japan

Applied Power Japan LTD KK
Besshochou 85-7
Kita-ku,
Saitama-shi 331-0821
Japan
Tel: +81 48 662 4911
Fax: +81 48 662 4955

Middle East, Turkey and Caspian Sea

ENERPAC Middle East FZE
Office 423, JAFZA 15
P.O. Box 18004
Jebel Ali, Dubai
United Arab Emirates
Tel: +971 (0)4 8872686
Fax: +971 (0)4 8872687

Russia and CIS (excl. Caspian Sea Countries)

Actuant LLC
Admiral Makarov Street 8
125212 Moscow, Russia
Tel: +7-495-9809091
Fax: +7-495-9809092

Sweden, Denmark, Norway, Finland and Iceland

ENERPAC Scandinavia AB
Fabriksgatan 7
412 50 Gothenburg
Sweden
Tel: +46 31 7990281
Fax: +46 31 7990010
scandinavianinquiries@enerpac.com

Singapore

Actuant Asia Pte. Ltd.
37C, Benoi Road Pioneer Lot,
Singapore 627796
Tel: +65 68 63 0611
Fax: +65 64 84 5669
Toll Free: +1800 363 7722
Technical Inquiries:
tech.service-sg@enerpac.com

South Korea

Actuant Korea Ltd.
3Ba 717,
Shihwa Industrial Complex
Jungwang-Dong, Shihung-Shi,
Kyunggi-Do
Republic of Korea 429-450
Tel: +82 31 434 4506
Fax: +82 31 434 4507

Spain and Portugal

ENERPAC SPAIN, S.L.
Avda. Los Frailes, 40 – Nave C
& D
Pol. Ind. Los Frailes
28814 DAGANZO DE ARRIBA
(Madrid)
Spain
Tel: +34 91 884 86 06
Fax: +34 91 884 86 11

Sweden, Denmark, Norway, Finland and Iceland

Enerpac Scandinavia AB
Fabriksgatan 7
412 50 Gothenburg
Sweden
Tel: +46 (0) 31 7990281
Fax: +46 (0) 31 7990010
Inquiries:
Scandinavianinquiries@enerpac.com

The Netherlands, Belgium, Luxembourg

ENERPAC B.V.
Galvanistraat 115, 6716 AE Ede
P.O. Box 8097, 6710 AB Ede
The Netherlands
Tel: +31 318 535 800
Fax: +31 318 525 613
+31 318 535 848
beneluxinquiries@enerpac.com
Technical Inquiries Europe:
techsupport.europe@enerpac.com

United Kingdom, Ireland Enerpac Ltd

Bentley Road South
Darlaston, West Midlands
WS10 8LQ, United Kingdom
Tel: +44 (0)121 50 50 787
Fax: +44 (0)121 50 50 799

USA, Latin America and Caribbean

ENERPAC
P.O. Box 3241
6100 N. Baker Road
Milwaukee, WI 53209 USA
Tel: +1 262 781 6600
Fax: +1 262 783 9562

User inquiries:
+1 800 433 2766

Inquiries/orders:
+1 800 558 0530

Technical Inquiries:
techservices@enerpac.com

ENERPAC

704 W. Simonds
Dallas, TX 75159 USA
Tel: +1 972 287 2390
Fax: +1 972 287 4469

09/30/09

All Enerpac products are guaranteed against defects in workmanship and materials for as long as you own them. For your nearest authorized Enerpac Service Center, visit us at www.enerpac.com