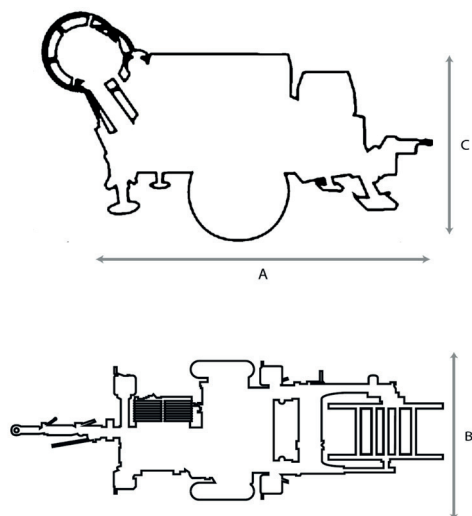


# F275.30 max pull 30 kN



**Hydraulic puller fit to pull one rope in stringing operations of overhead transmission lines. One hydraulic circuit allows to continuously vary the speed in both directions by operating one control device.**

- One pair of multi-grooved steel capstans fit for stringing one steel rope.
- Machine control panel equipped with built-in electronic instrument featuring a large graphic color display and a USB port. Main functions include display of pull-force, speed and length of cable in real time, max pull force setting, display of working hours, data recording and storage on a pen-drive (data processing software provided).
- Safety negative hydraulic brake.
- Chassis with rigid axle, manual brake and detachable drawbar for towing at low speed in job-site.
- Mechanical front and back stabilisers.
- Attachments for anchoring and for lifting.
- Heat exchanger to cool the oil in the hydraulic circuit.
- Reelwinder fit for a 1400-mm-dia reel, with automatic ropewinder.

**OPTIONAL DEVICES**

- 007 Chassis with damped axle, overrun brake and drawbar for towing on road (homologation excluded).
- 037 Remote control by cable, with 10 m of cable.
- 038 Radio-control (max distance 50 m).
- 045.3 Manual clamp for rope.
- 047 Hydraulic front stabilisers.
- 067 Telescopic rod to lay underground cables (mod. F277).
- 069.5 Printer with accessories, complete with case.
- 083.1 Rope transmission pulley, 360° revolving, fit for pulling underground cables, predisposed to receive the telescopic bar mod. F 276 and F 279.

**FEATURES**

Capstans	2 x Ø 250 mm
Grooves on the capstans	7 + 7
Max rope diameter	13 mm
Max joint diameter	40 mm
Dimensions AxBxC	1,95x1,4 x1,35 m
Weight (without rope)	1200 kg

**ENGINE**

Feeding	diesel
Power	35 hp / 25,7 kW
Cooling	water
Electric plant	12 V

**PULL PERFORMANCES**

Max pull	30 kN
Speed at max pull	1,2 km/h
Max speed	3,8 km/h
Pull at max speed	12 kN