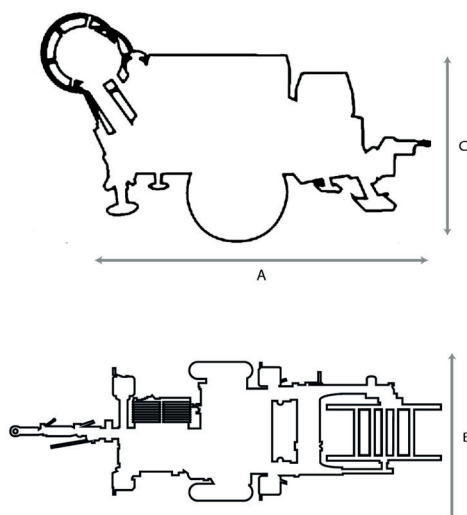


# F230.70 max pull 70 kN



**Hydraulic puller fit to pull one rope in stringing operations of overhead transmission lines. One hydraulic circuit allows to continuously vary the speed in both directions by operating one control device.**

- One pair of multi-grooved steel capstans fit for stringing one steel rope.
- Machine control panel equipped with built-in electronic instrument featuring a large graphic color display and a USB port. Main functions include display of pull-force, speed and length of cable in real time, max pull force setting, display of working hours, data recording and storage on a pen-drive (data processing software provided).
- Device for pull force setting which allows to maintain the pre-set force even at speed "0".
- Safety negative hydraulic brake.
- Chassis with rigid axle, manual brake and detachable drawbar for towing at low speed in job-site.
- Hydraulic back stabilisers and manual front stabilisers.
- Attachments for anchoring and for lifting.
- Heat exchanger to cool the oil in the hydraulic circuit.
- Reelwinder fit for a 1600-mm-dia reel, with automatic ropewinder.

**OPTIONAL DEVICES**

- 007 Chassis with damped axle, overrun brake and drawbar for towing on road (homologation excluded).
- 028.7 Device to start the diesel engine and the hydraulic circuit at low temperatures (up to -30°C).
- 037 Remote control by cable, with 10 m of cable.
- 038 Radio-control (max distance 50 m).
- 045.2 Automatic clamp for rope.
- 045.3 Manual clamp for rope.
- 047 Hydraulic front stabilisers.
- 069.5 Printer with accessories, complete with case.
- 083.1 Rope transmission pulley, 360° revolving, fit for pulling underground cables, predisposed to receive the telescopic bar mod. F 276 and F 279.

**FEATURES**

Capstans	2 x Ø 400 mm
Grooves on the capstans	8 + 8
Max rope diameter	18 mm
Max joint diameter	50 mm
Dimensions AxBxC	3,20x1,95x2,00 m
Weight (without rope)	2400 kg

**ENGINE**

Feeding	diesel
Power	84 hp / 62 kW
Cooling	water
Electric plant	12 V

**PULL PERFORMANCES**

Max pull	70 kN
Speed at max pull	1,8 km/h
Max speed	4,5 km/h
Pull at max speed	32 kN